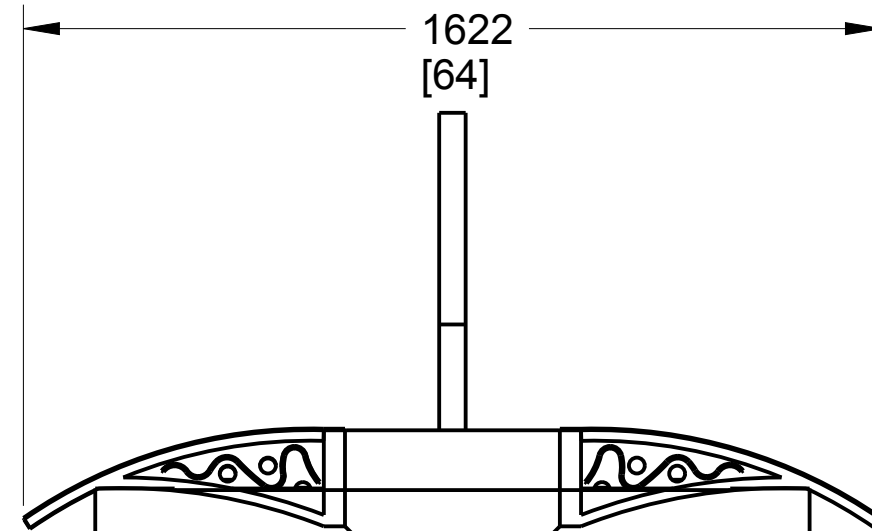


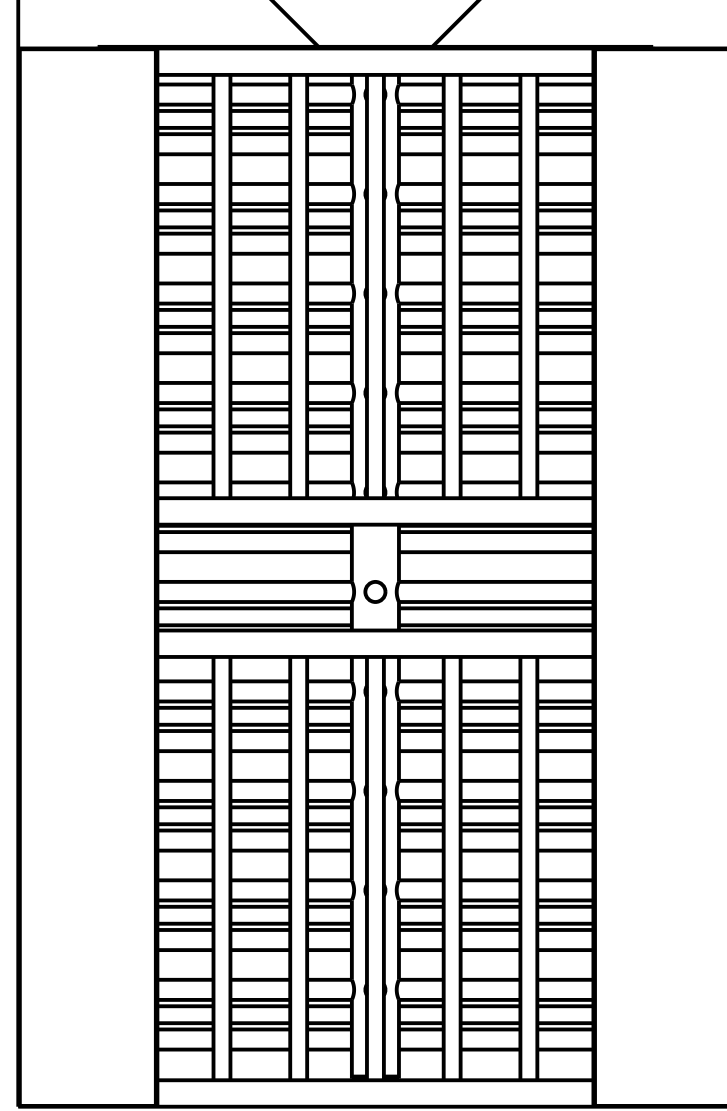
2400
[94.5]

2280
[90]

2880
[113.4]



1622
[64]



1350
[53.2]