



铝合金玻璃护栏型材

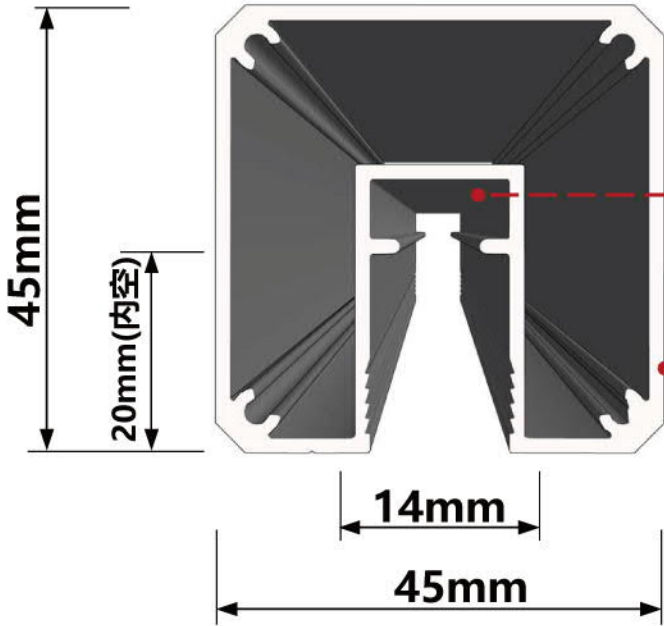
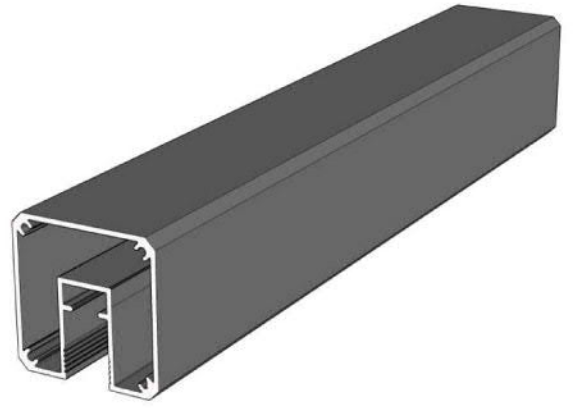
ALUMINUM ALLOY MINIMALIST
GLASS GUARDRAIL PROFILE

楼梯扶手配件供应商

STAIR HANDRAIL ACCESSORY SUPPLIER

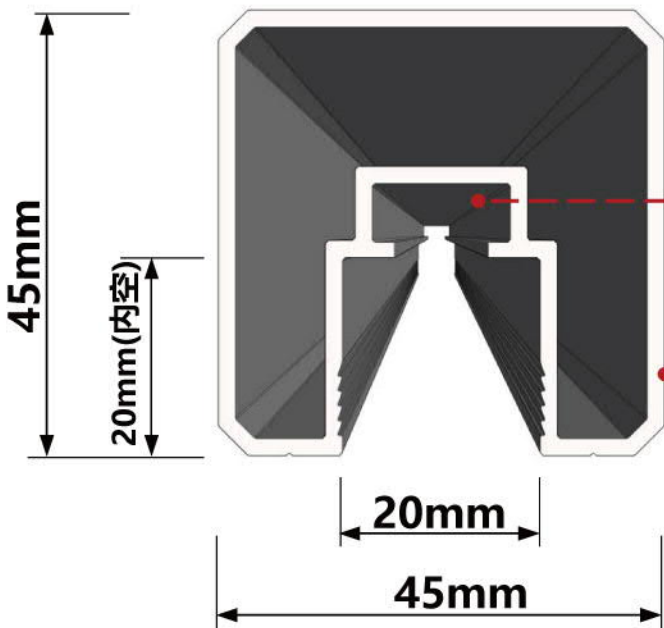
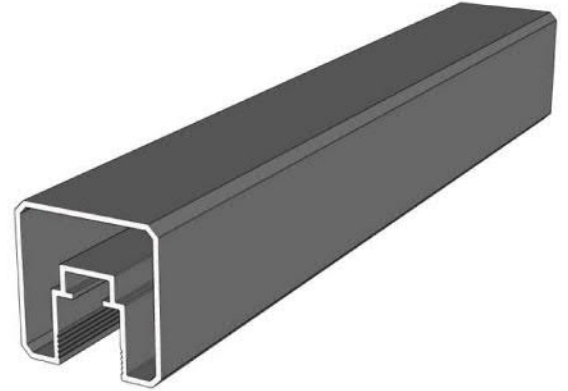
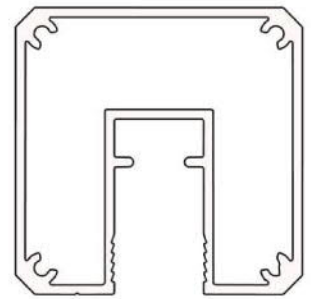
45面管2.0/1.8

45 Sided tube 2.0/1.8



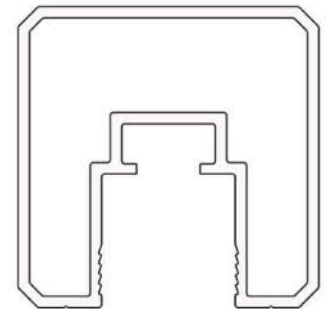
灯带槽口
LED strip groove

壁厚1.8mm
T : 1.8mm



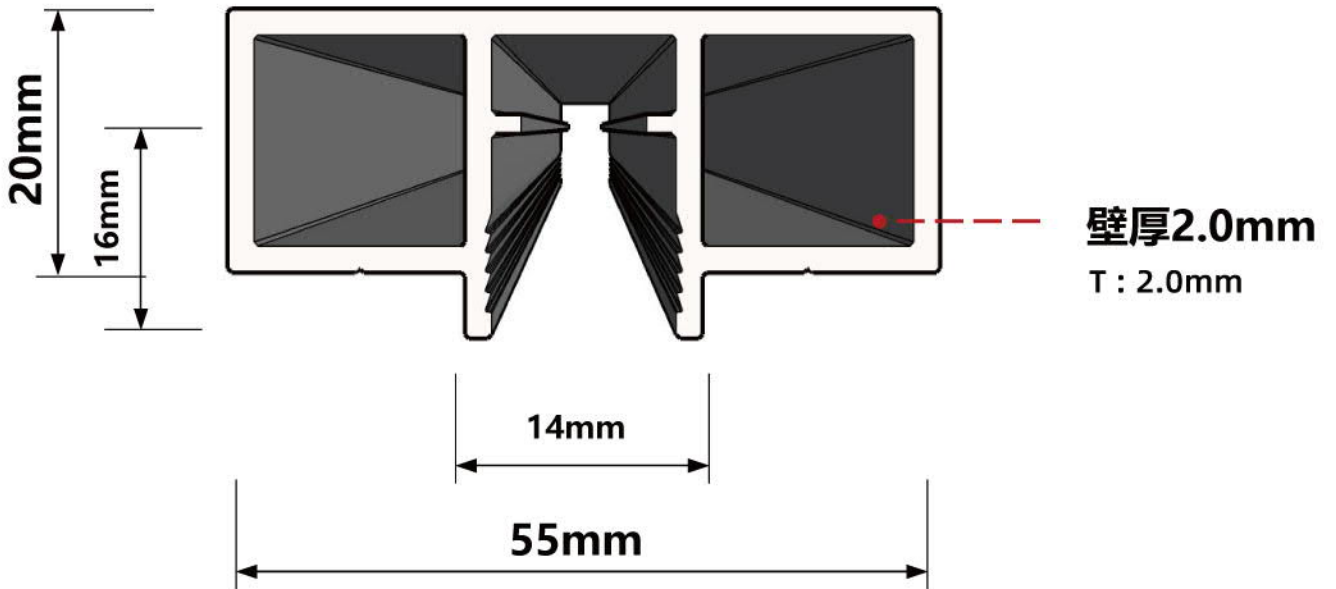
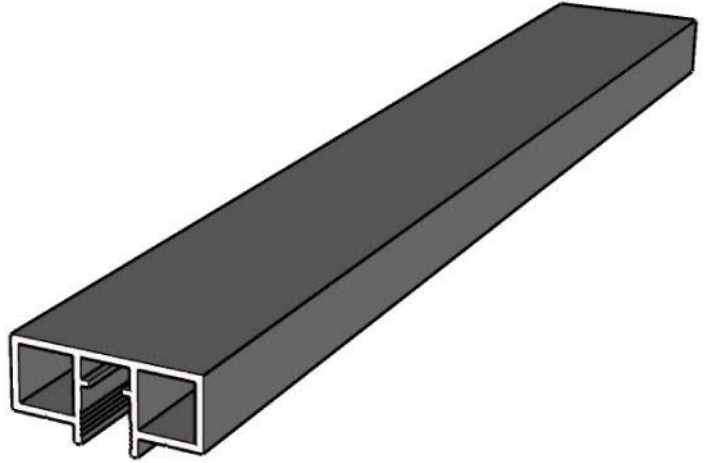
灯带槽口
LED strip groove

壁厚2.0mm
T : 1.8mm



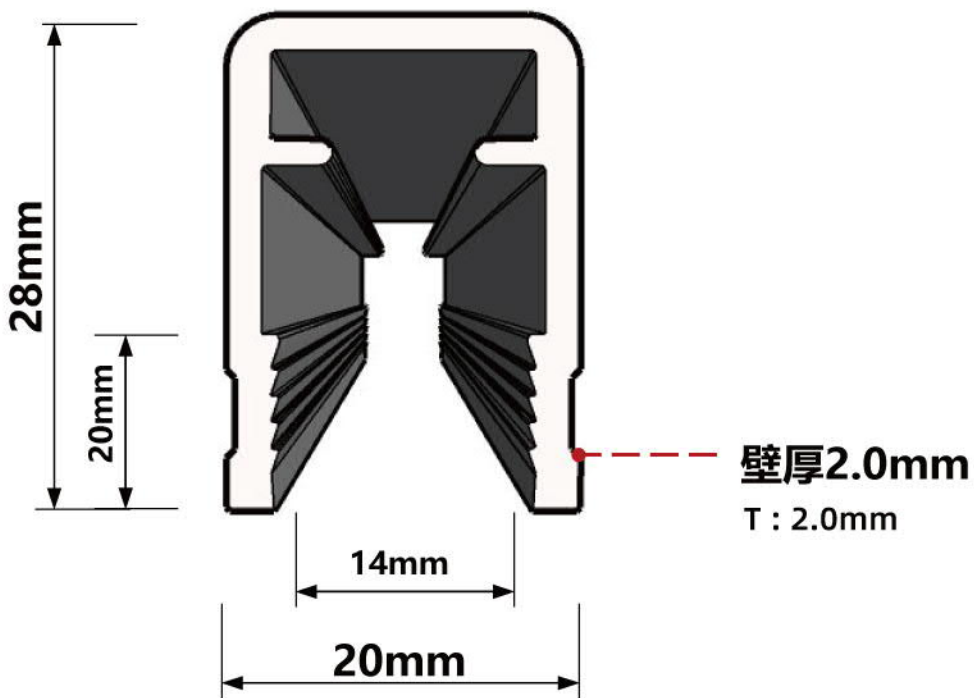
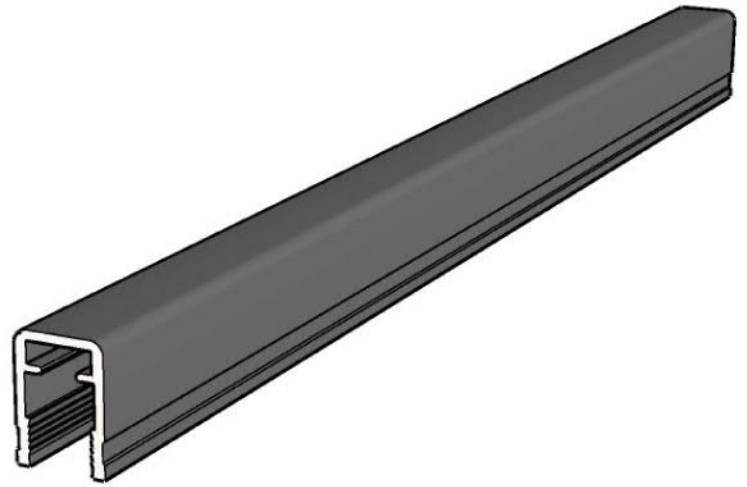
55面管

55 Sided tube



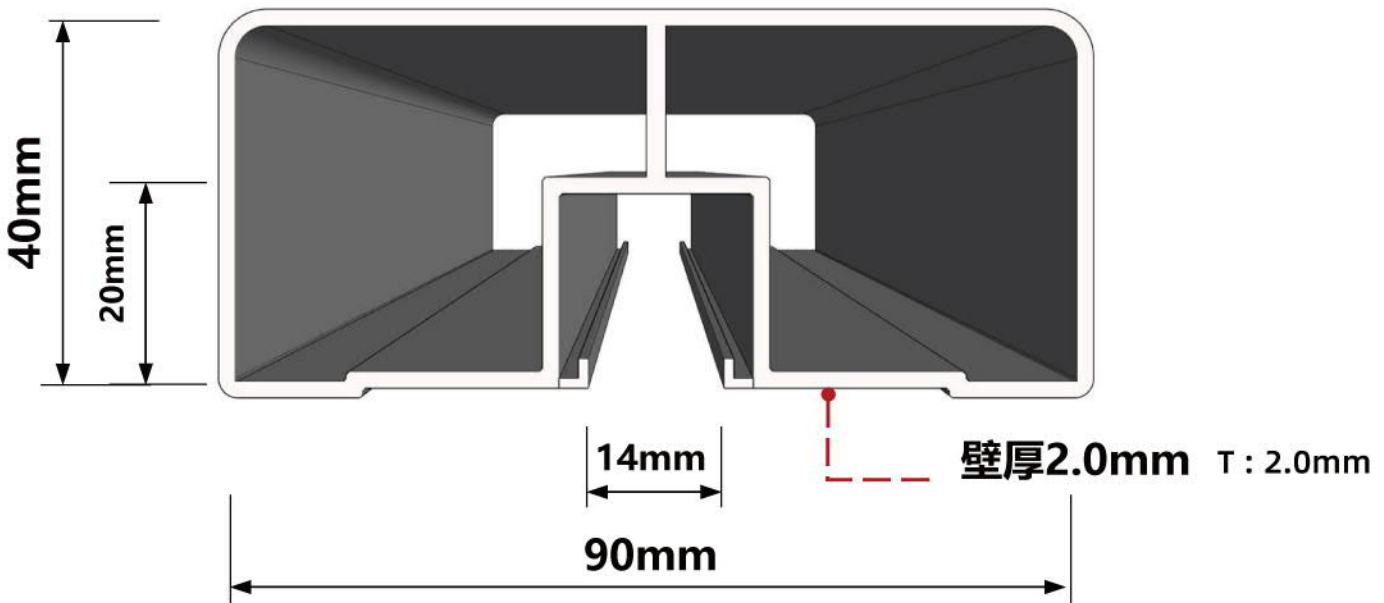
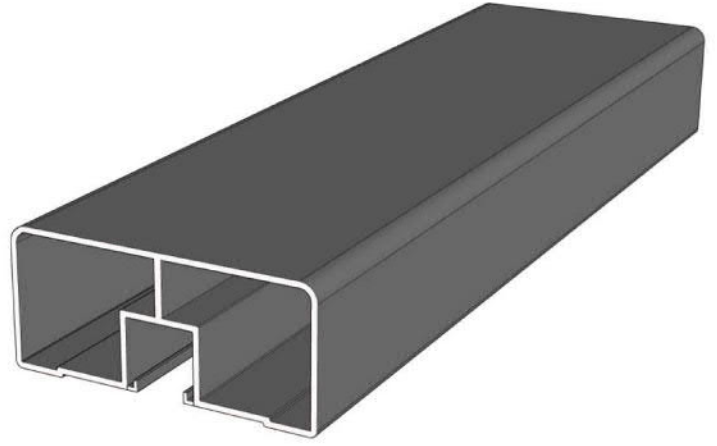
20面管

20 Sided tube



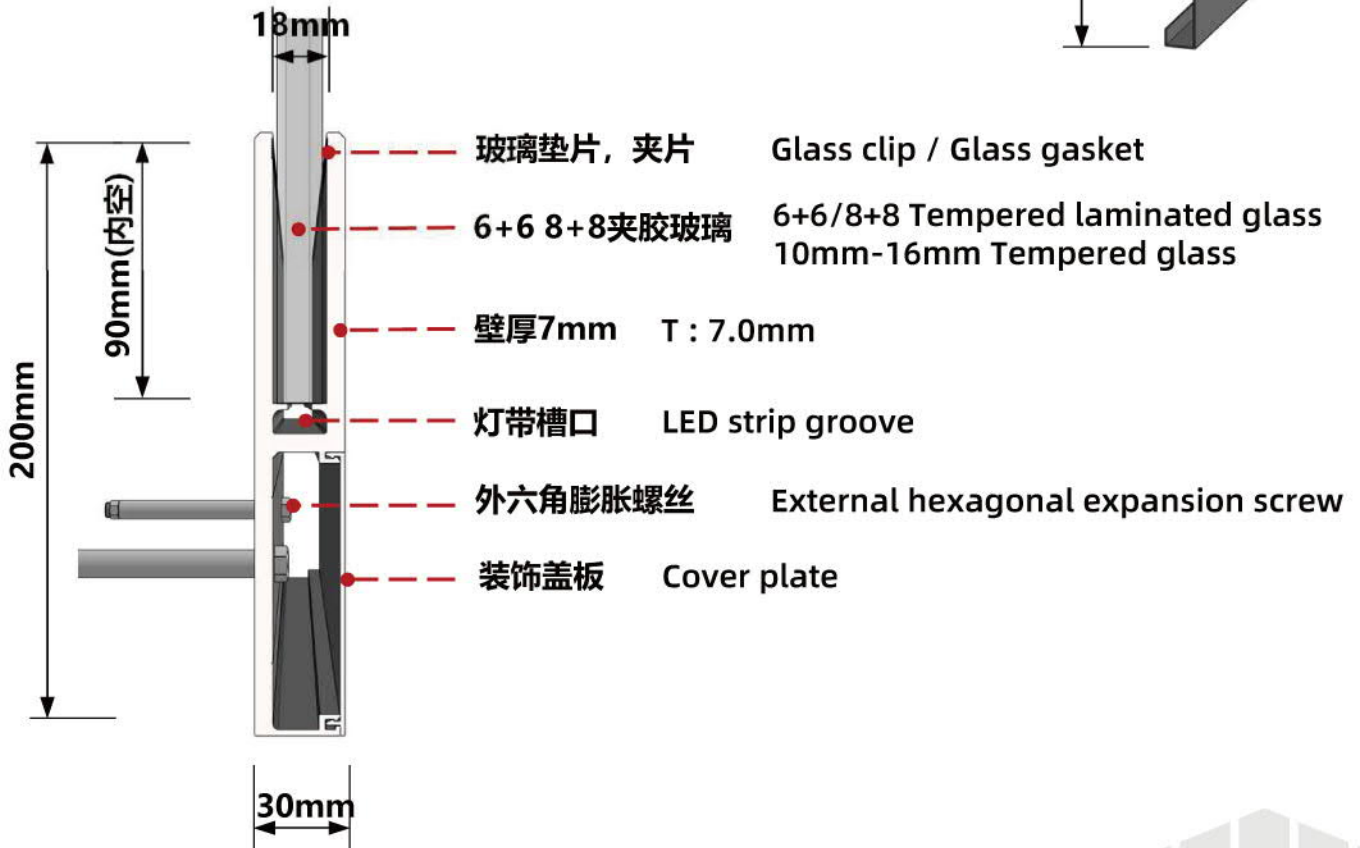
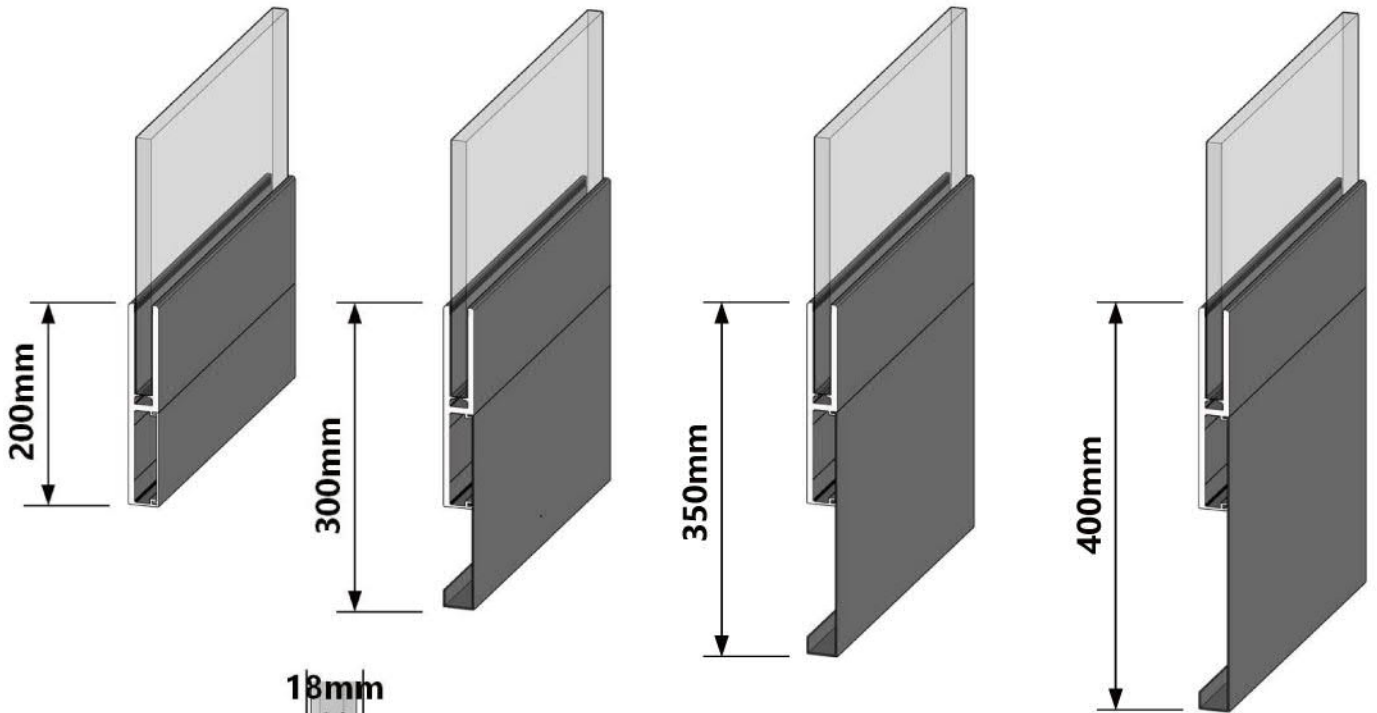
90面管

90 Sided tube



200/300/350/400 侧装底槽

200/300/350/400 Side bottom mounting groove



90底槽

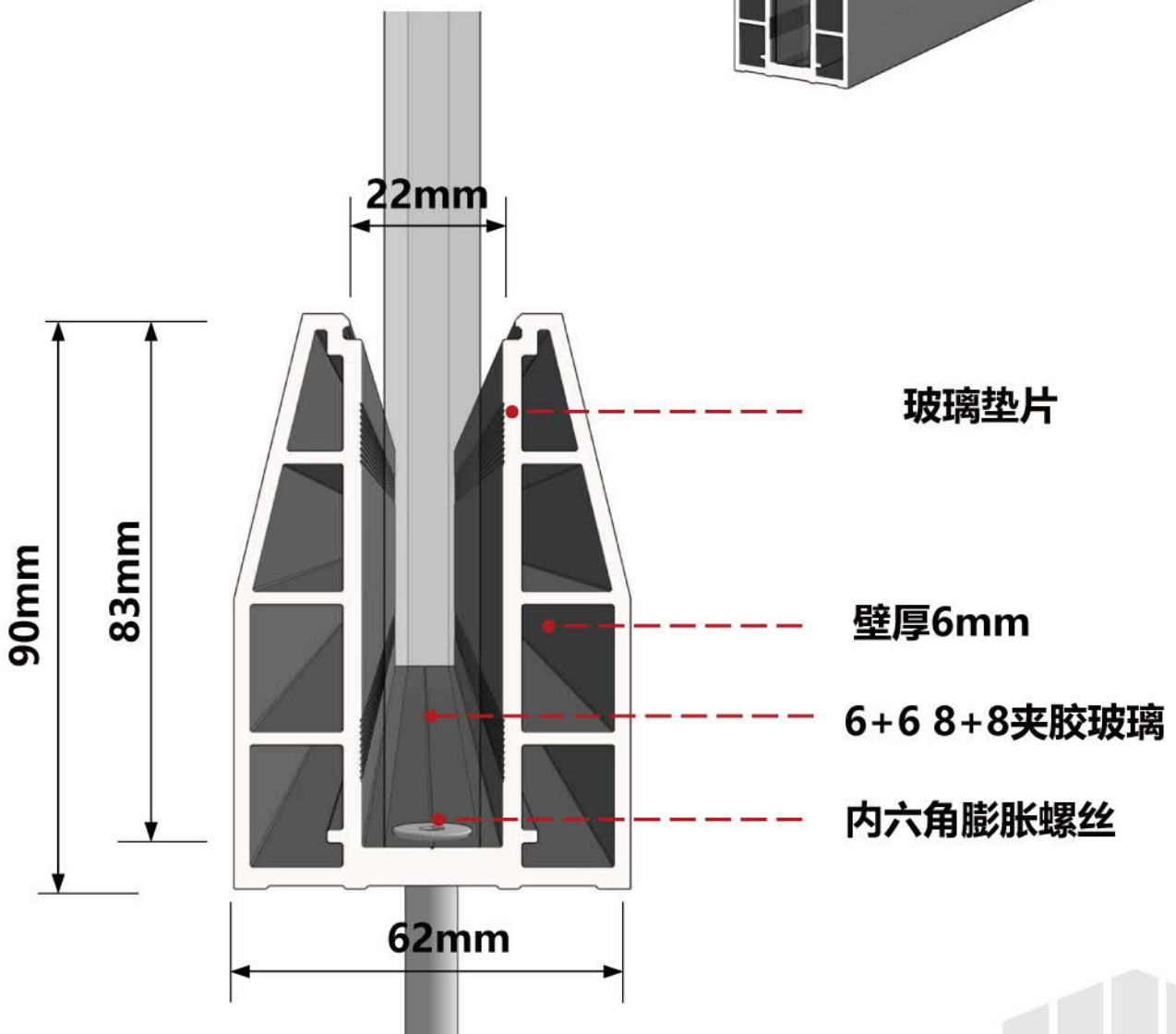
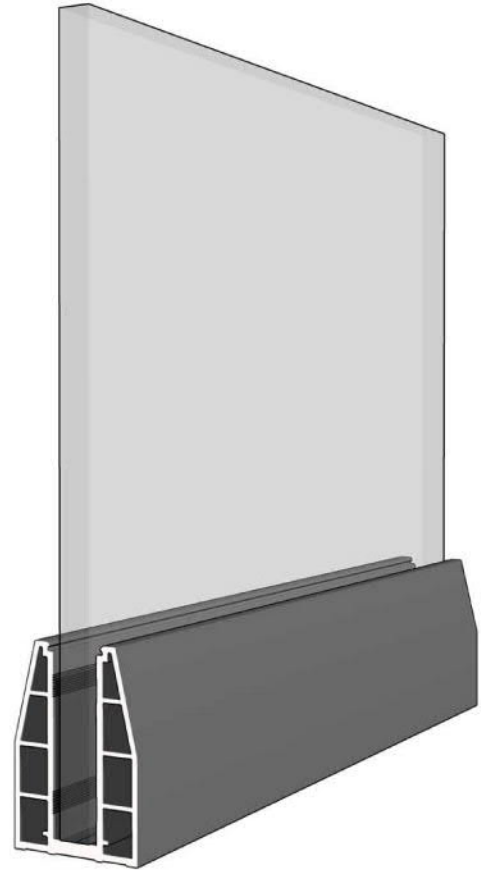
90 Bottom groove

/ Glass gasket

/ T : 6.0mm

/ 6+6/8+8 Tempered laminated glass
10mm-16mm Tempered glass

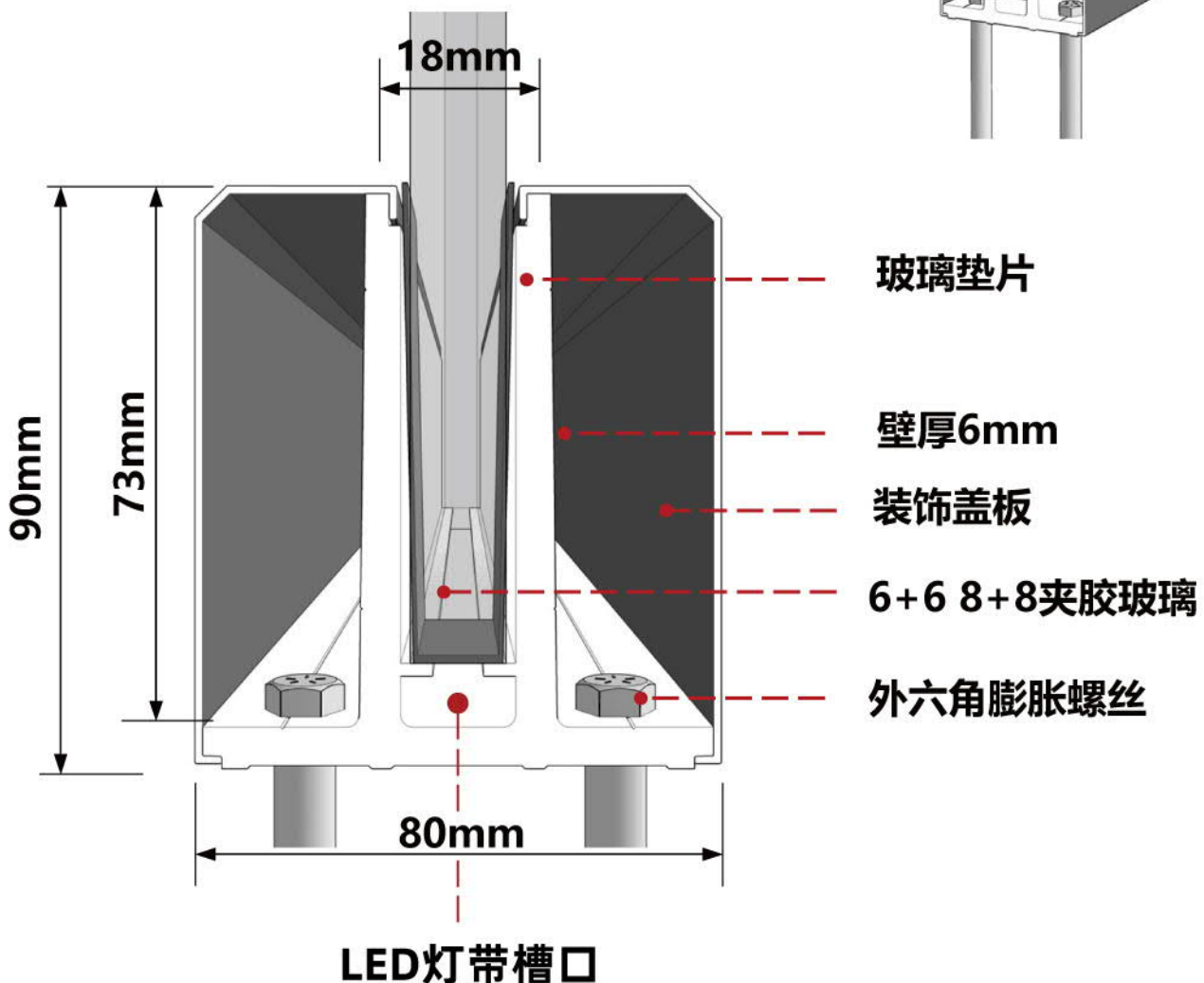
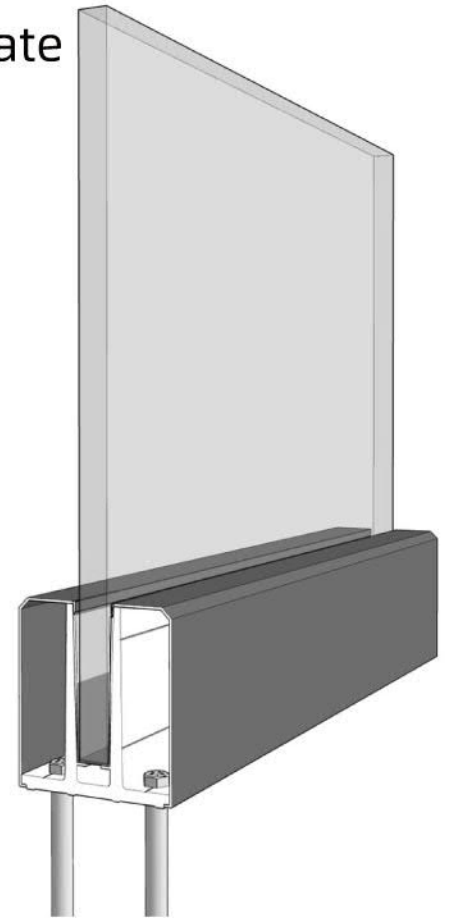
/ Internal hexagonal expansion screw



90底槽-双盖板

90 Bottom groove - Two-sided cover plate

- / Glass gasket
- / T : 6.0mm
- / Cover plate
- / 6+6/8+8 Tempered laminated glass
- 10mm-16mm Tempered glass
- / External hexagonal expansion screw
- / LED strip groove



105底槽

105 Bottom groove

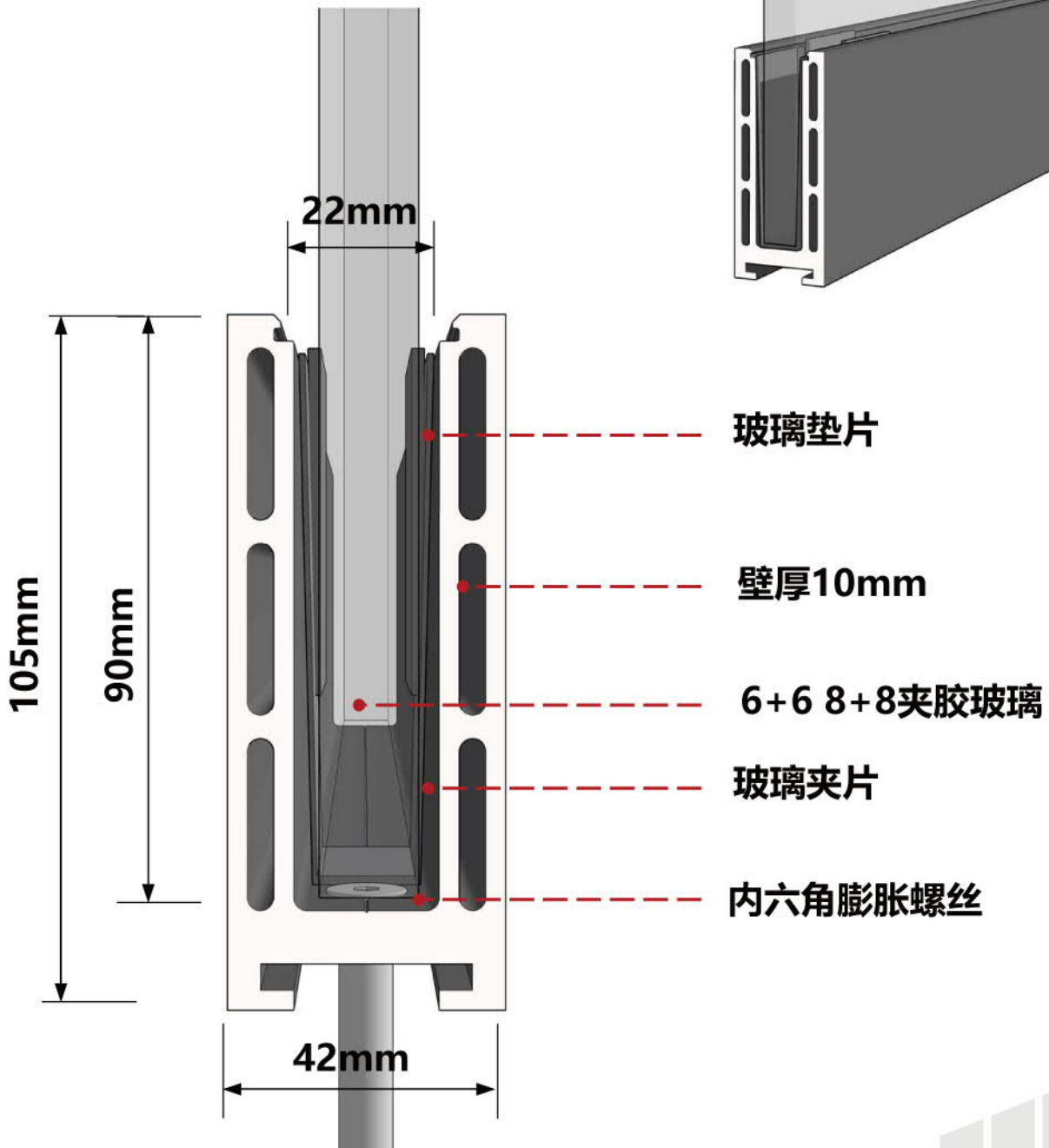
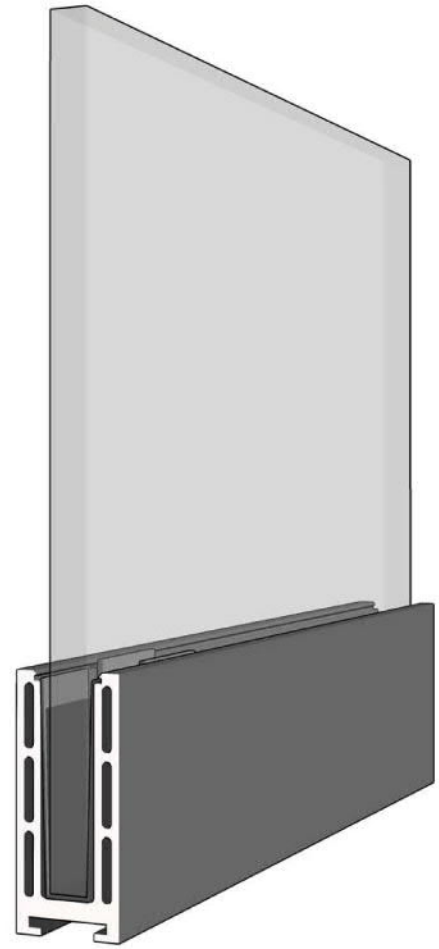
/ Glass gasket

/ T : 10.0mm

/ 6+6/8+8 Tempered laminated glass
10mm-16mm Tempered glass

/ Glass clip

/ Internal hexagonal expansion screw



105加强底槽

105 Reinforced bottom groove

/ Glass clip / Glass gasket

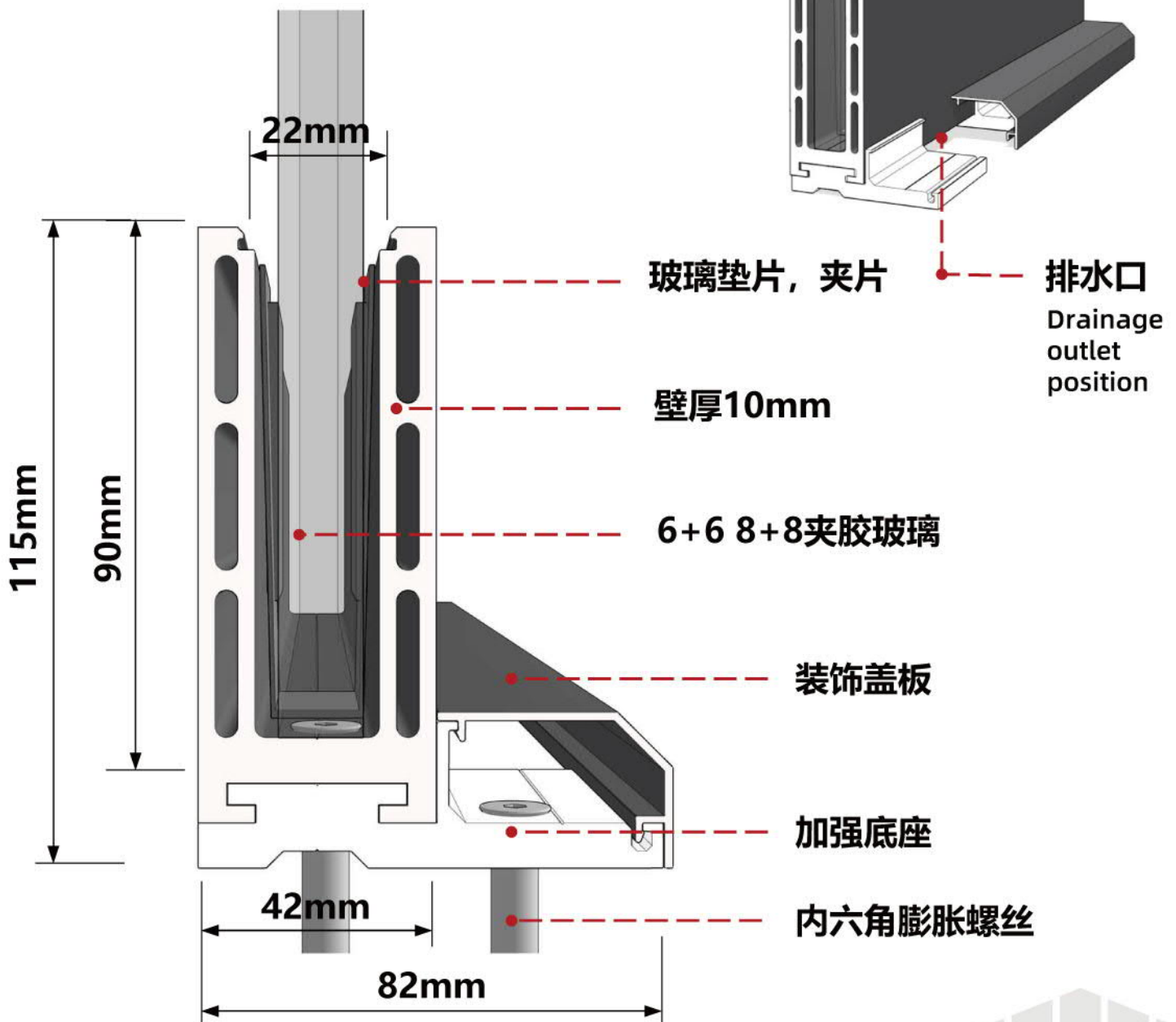
/ T : 10.0mm

/ 6+6/8+8 Tempered laminated glass
10mm-16mm Tempered glass

/ Cover plate

/ Aluminum alloy reinforced base

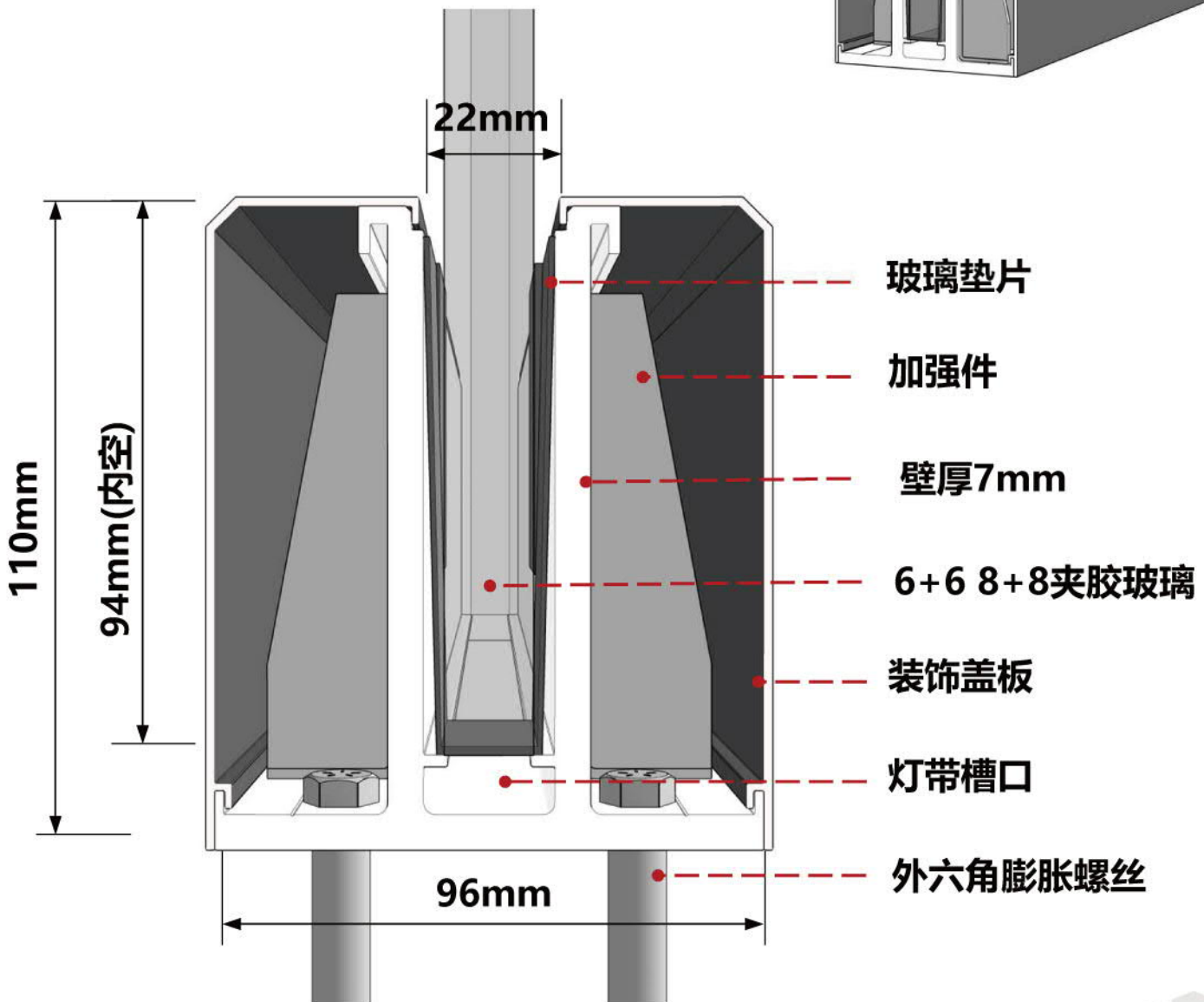
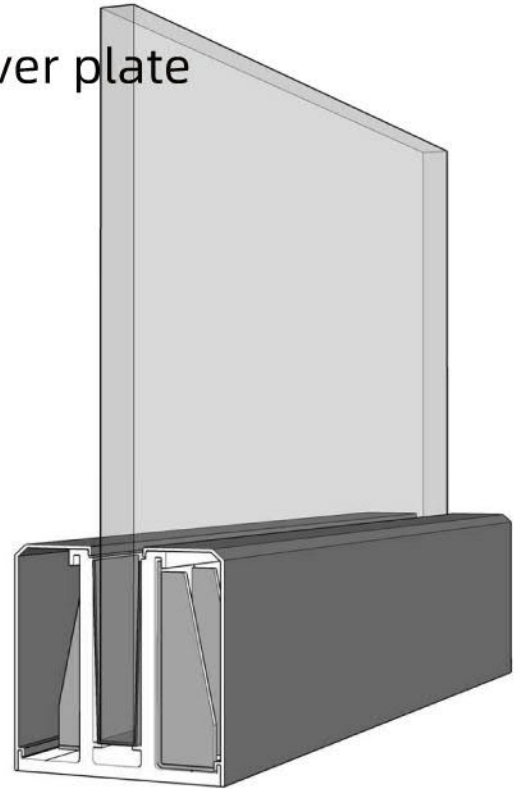
/ Internal hexagonal expansion screw



110底槽-双盖板

110 Bottom groove - Two-sided cover plate

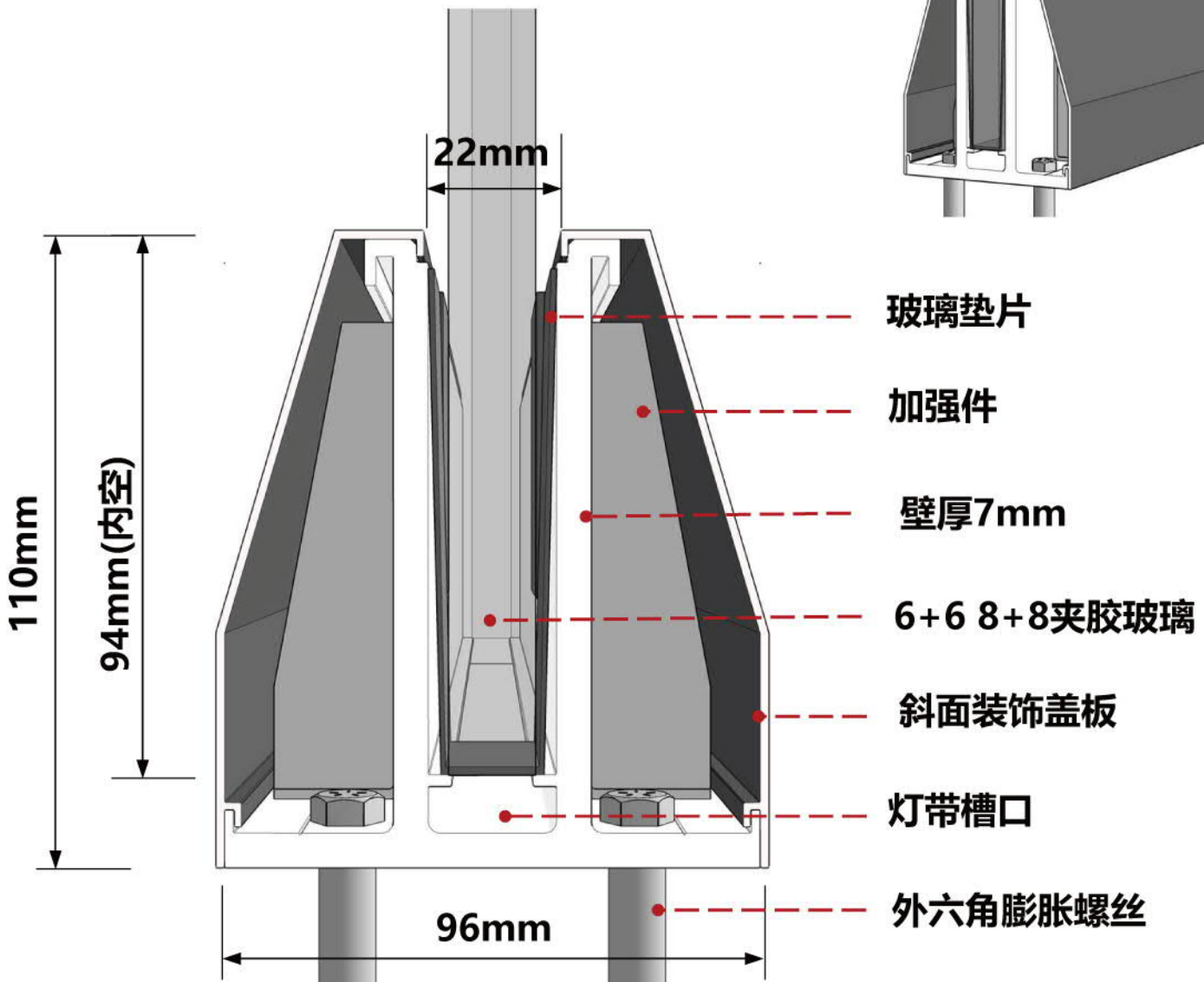
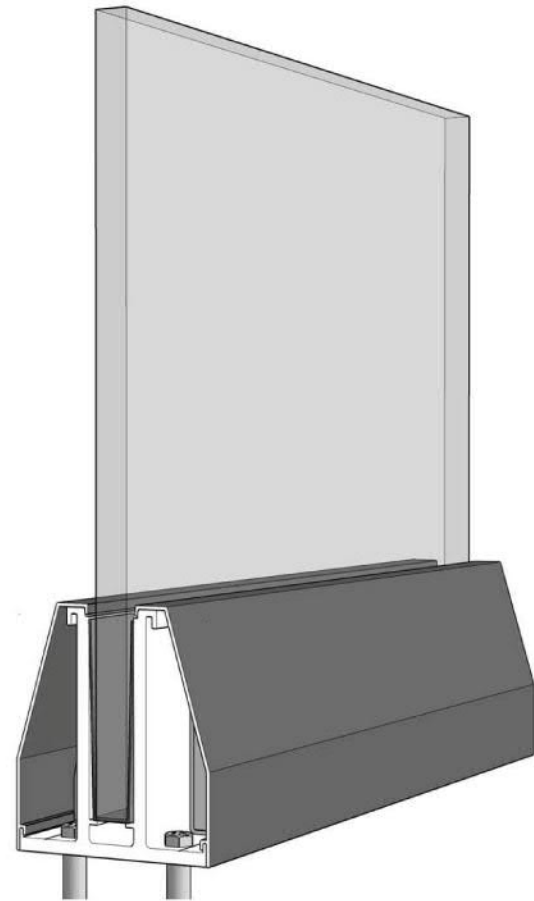
- / Glass gasket
- / Strengthen the lining material
- / T : 7.0mm
- / 6+6/8+8 Tempered laminated glass
- 10mm-16mm Tempered glass
- / Cover plate
- / LED strip groove
- / External hexagonal expansion screw



110底槽-斜盖板

110 Bottom groove - Bevel cover plate

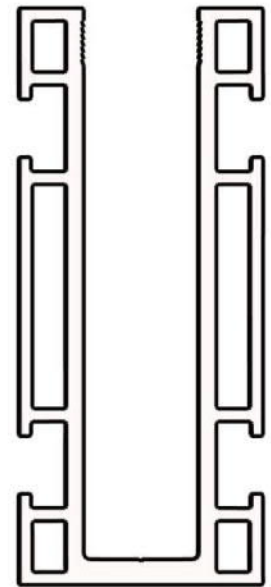
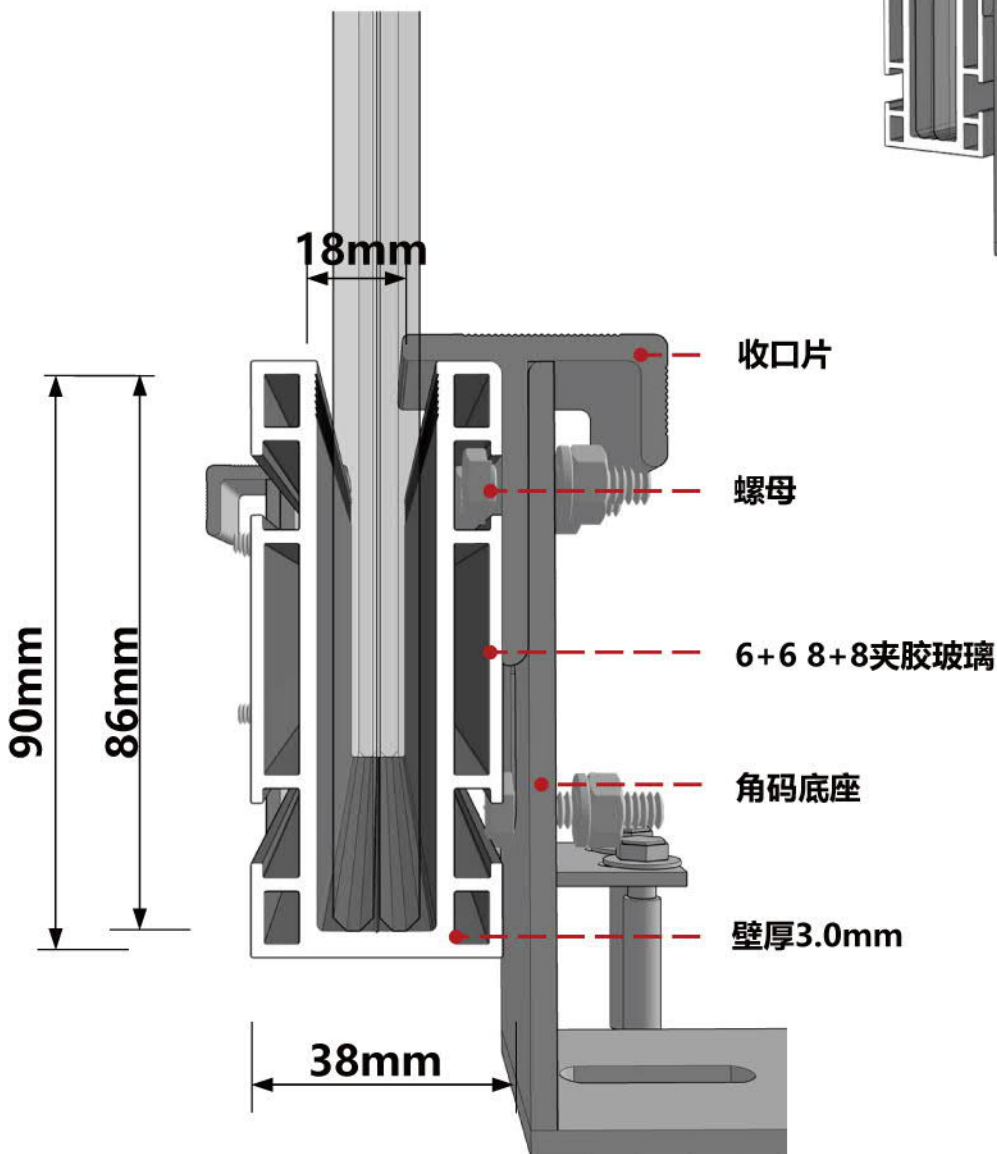
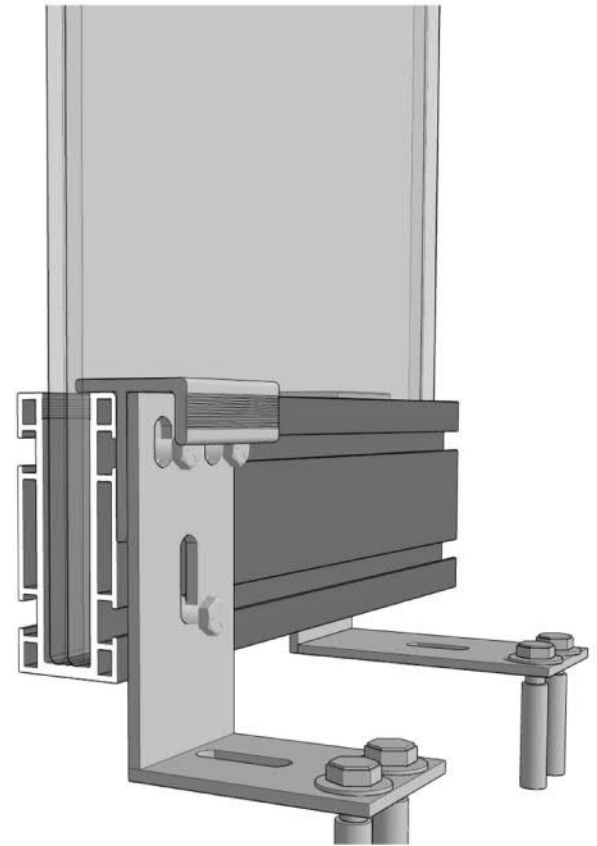
- / Glass gasket
- / Strengthen the lining material
- / T : 7.0mm
- / 6+6/8+8 Tempered laminated glass
- 10mm-16mm Tempered glass
- / Cover plate
- / LED strip groove
- / External hexagonal expansion screw



90预埋底槽

90 Embedded bottom groove

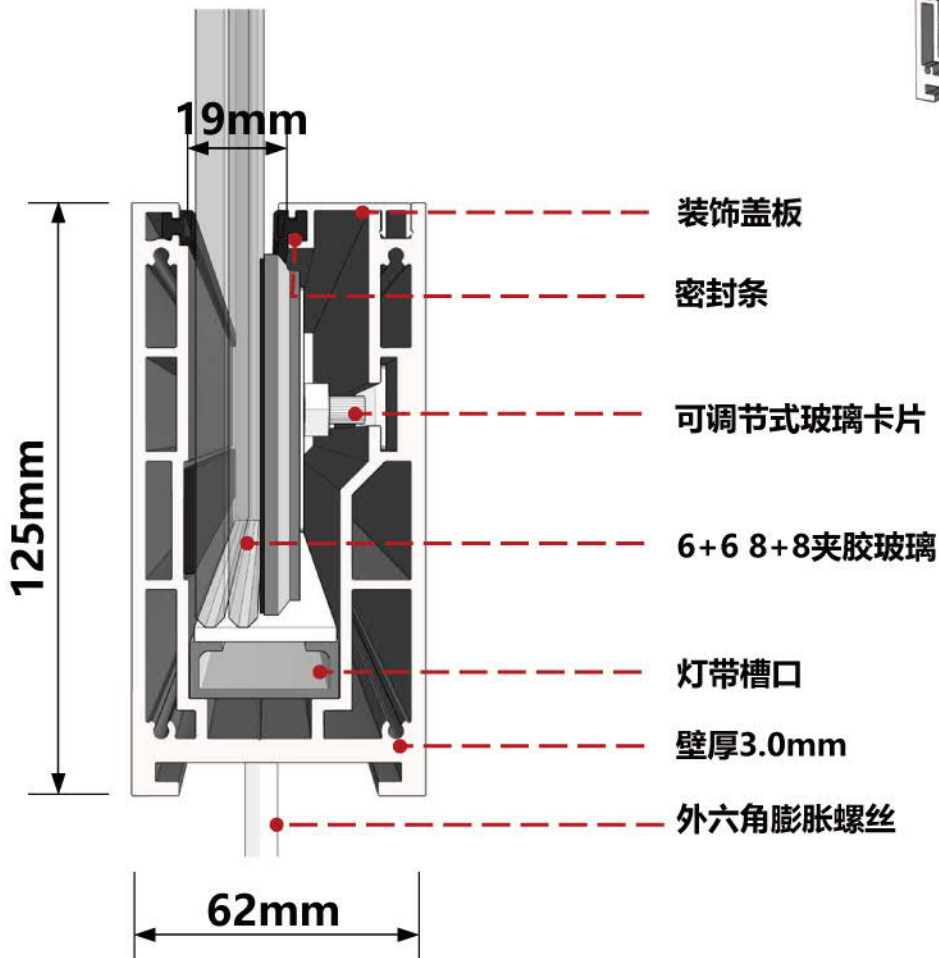
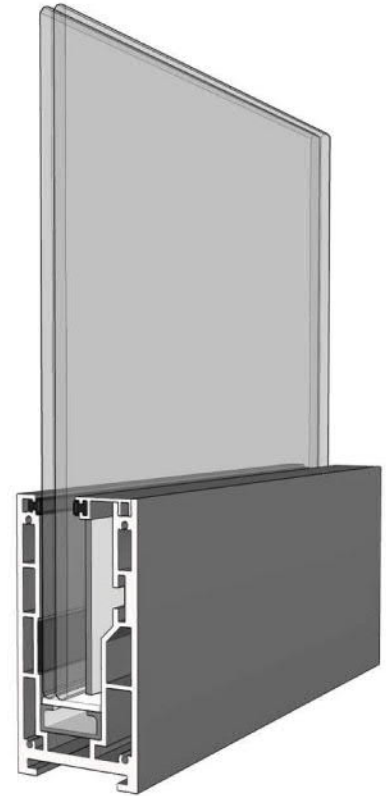
- / Slot cover
- / Bolt+Nut
- / 6+6/8+8 Tempered laminated glass
10mm-16mm Tempered glass
- / Pre embedded base
- / T : 3.0mm



125系统底槽

125 System bottom groove

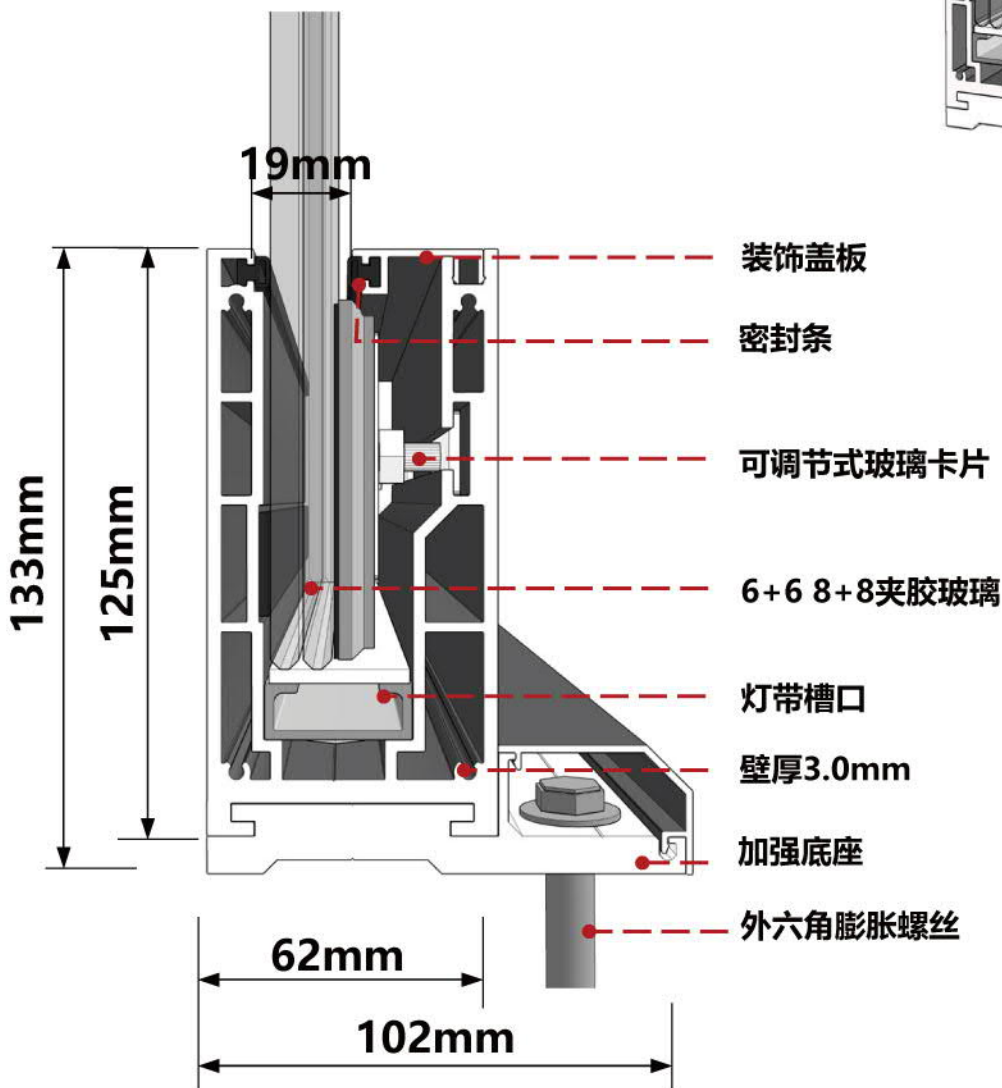
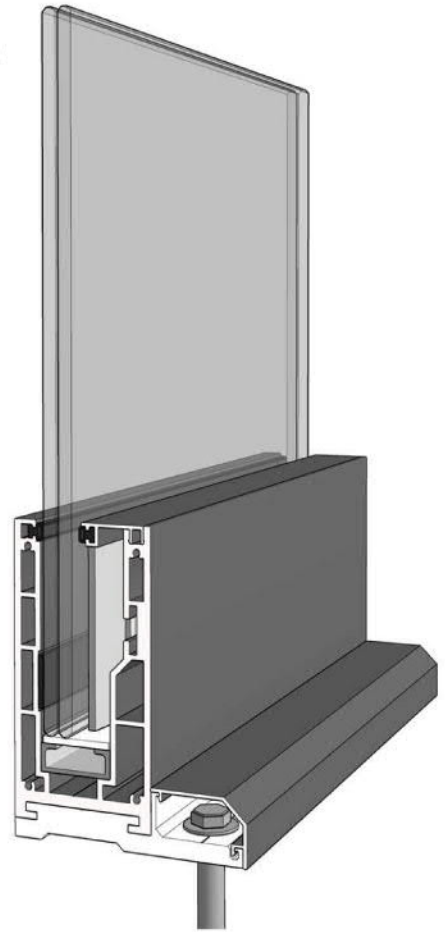
- / Cover plate
- / Sealing rubber strip
- / Adjustable glass clip
- / 6+6/8+8 Tempered laminated glass
10mm-16mm Tempered glass
- / LED strip groove
- / T : 3.0mm
- / External hexagonal expansion screw



125系统加强底槽

125 System reinforced bottom groove

- / Cover plate
- / Sealing rubber strip
- / Adjustable glass clip
- / 6+6/8+8 Tempered laminated glass
10mm-16mm Tempered glass
- / LED strip groove
- / T : 3.0mm
- / Aluminum alloy reinforced base
- / External hexagonal expansion screw



40底槽

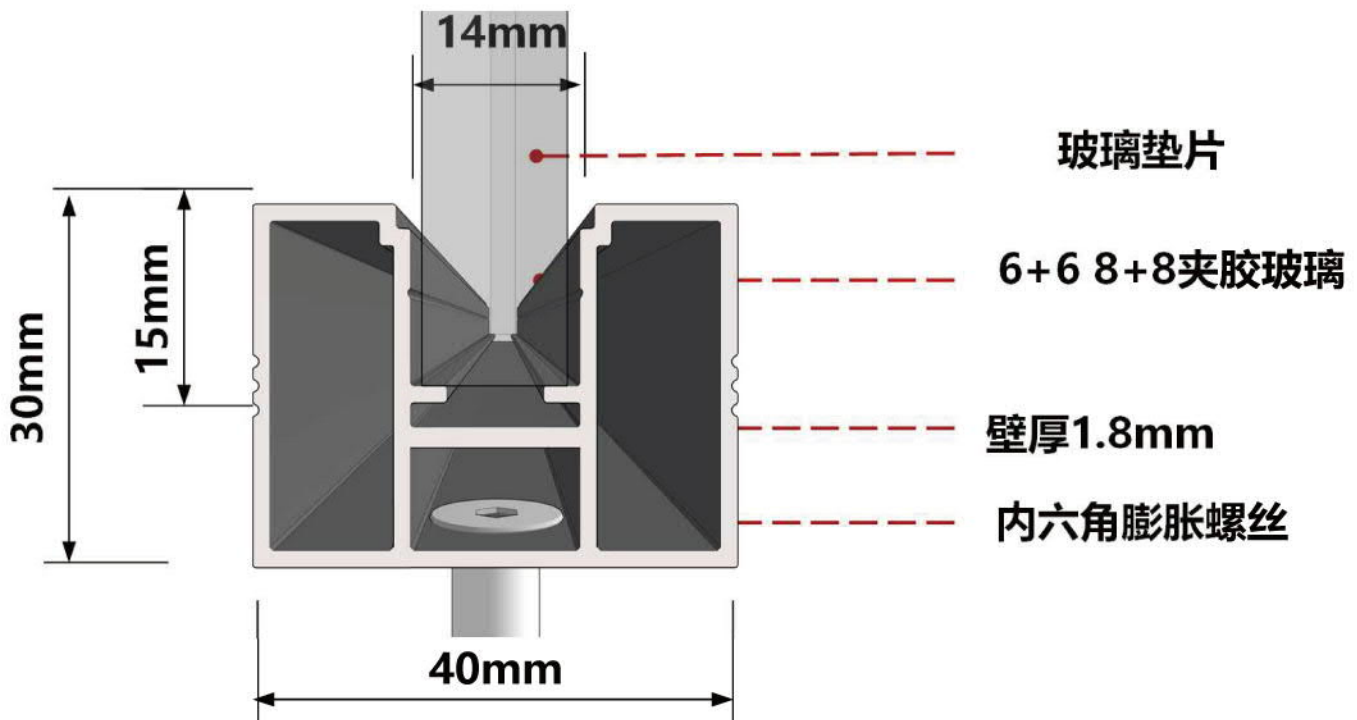
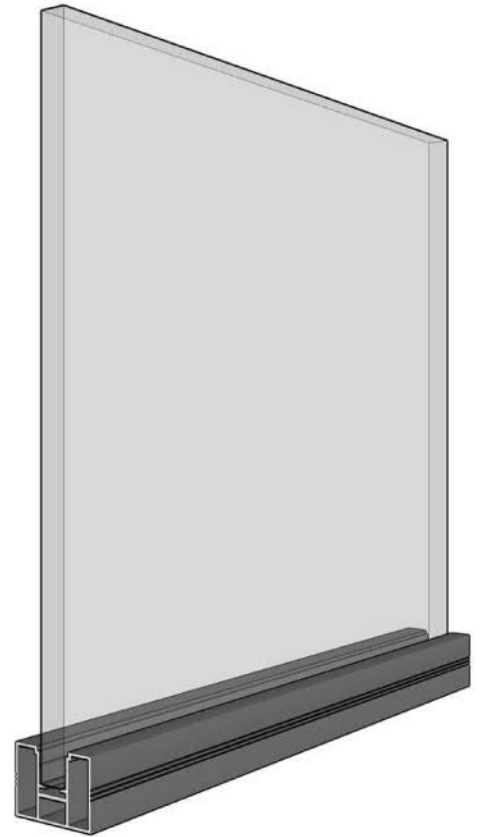
40 Bottom groove

/ Glass gasket

/ 6+6 Tempered laminated glass
8mm-12mm Tempered glass

/ T : 1.8mm

/ Internal hexagonal expansion screw



46底槽

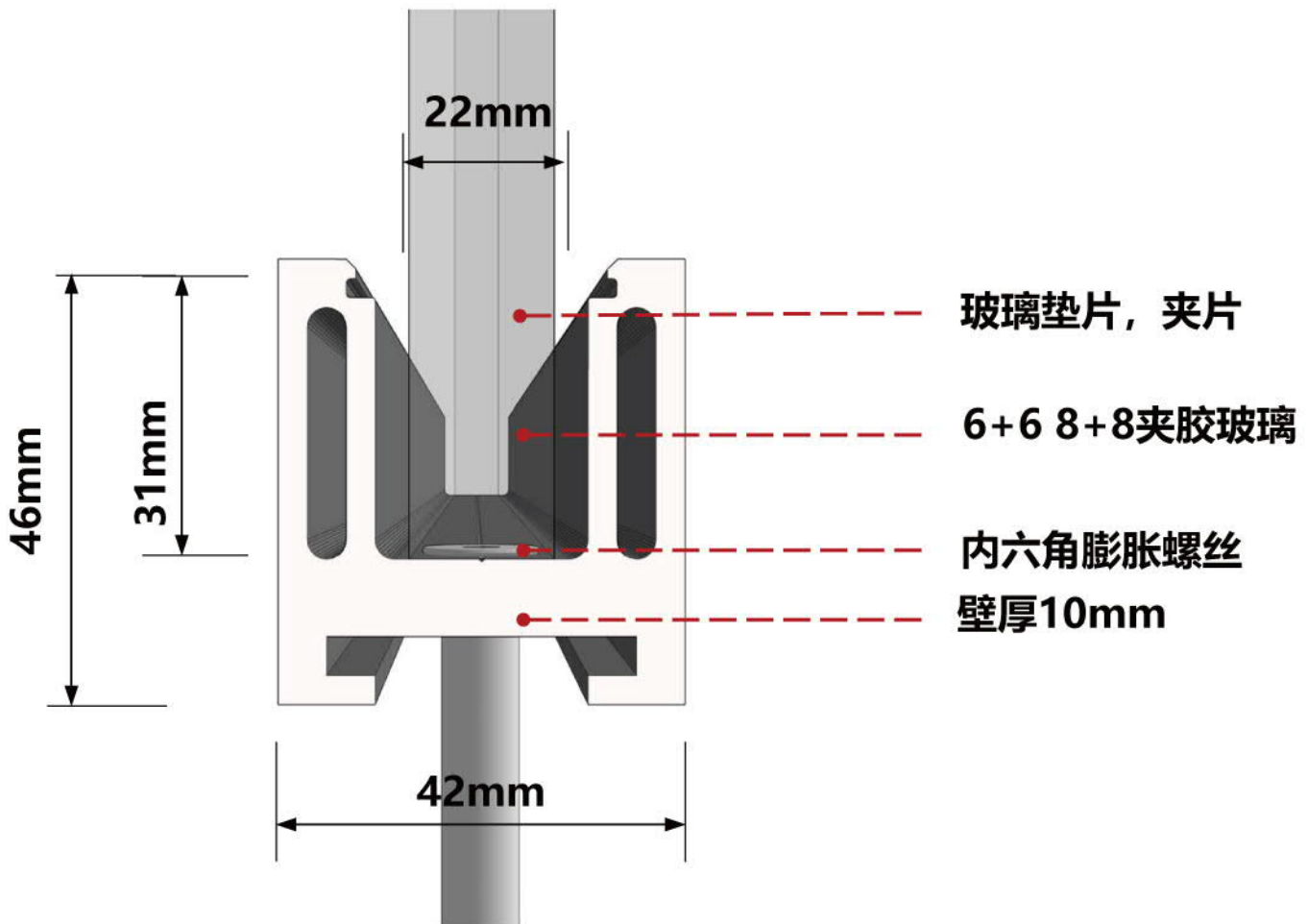
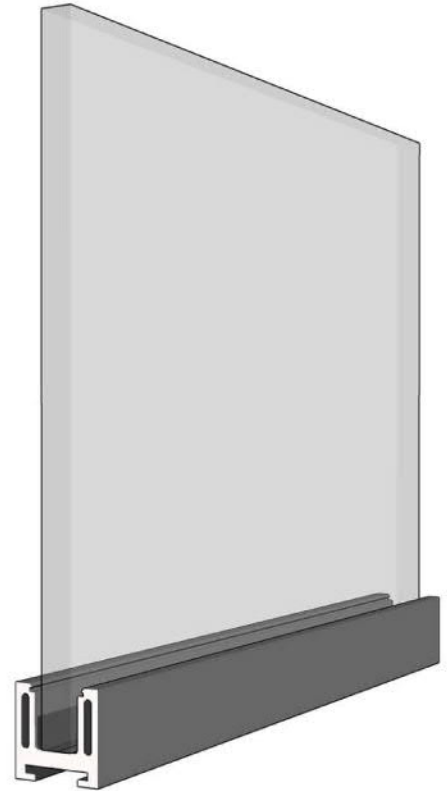
46 Bottom groove

/ Glass gasket

/ 6+6 Tempered laminated glass
8mm-12mm Tempered glass

/ T : 10mm

/ Internal hexagonal expansion screw



50立柱-2.0

50 Columns-2.0mm

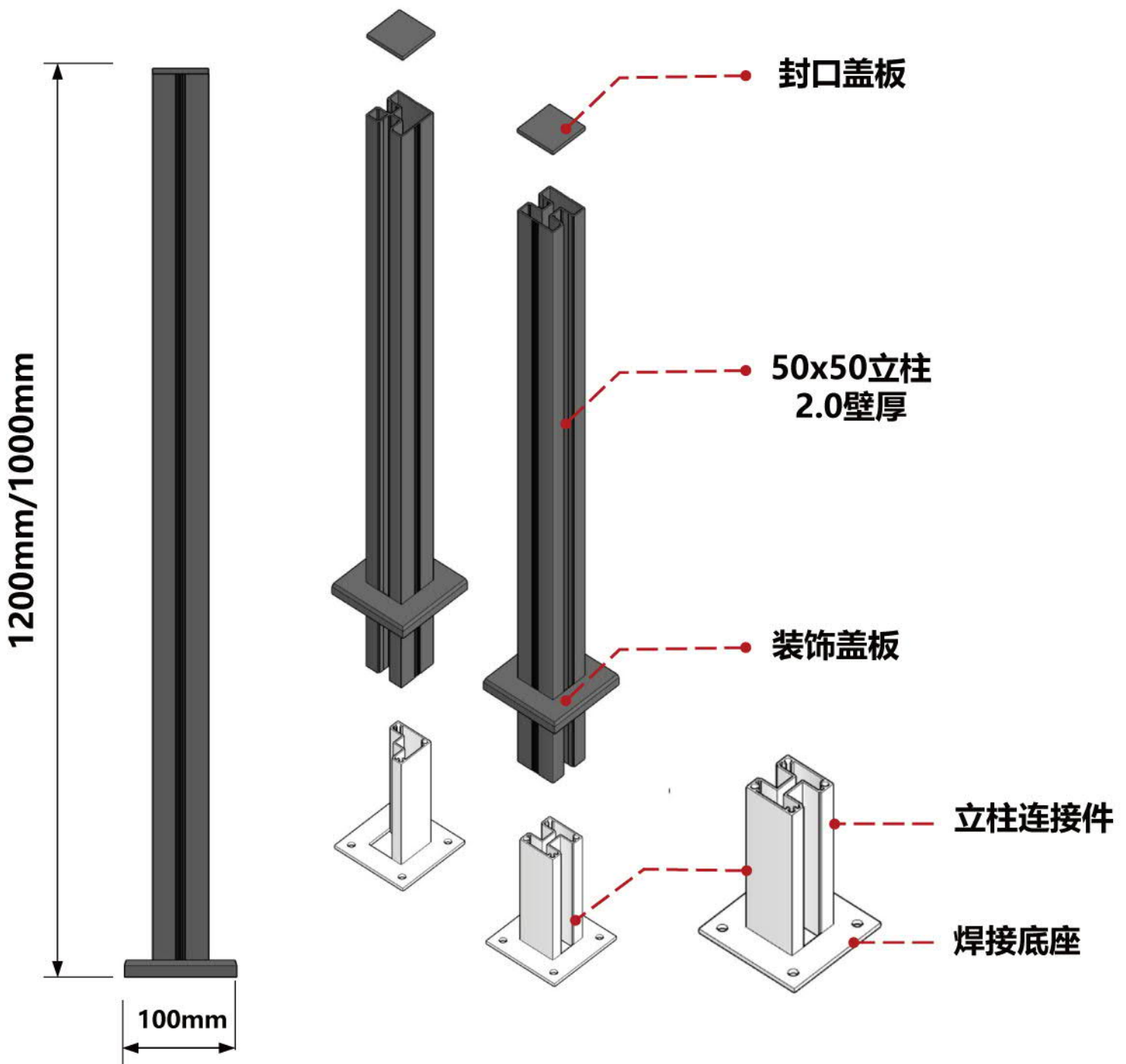
/ Blank cover

/ 50x50x2.0mm Columns

/ Decorative cover plate

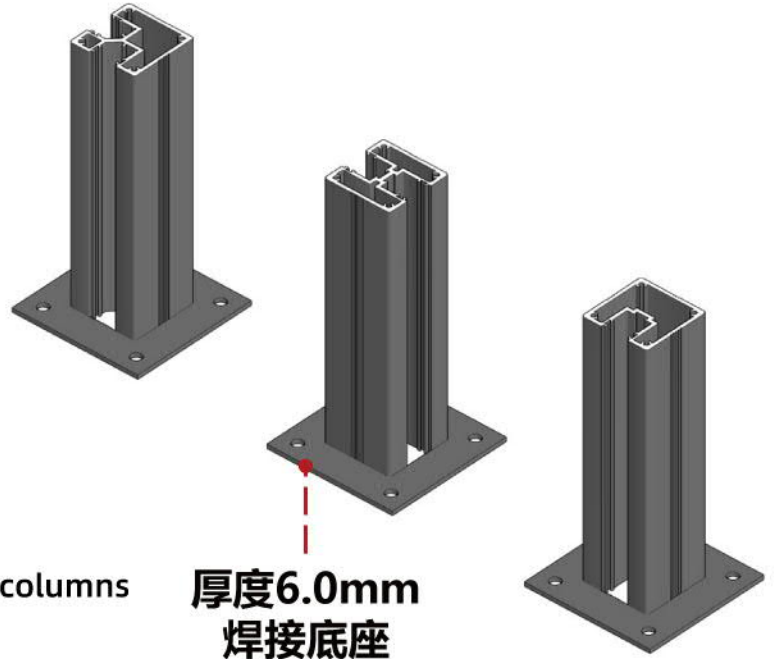
/ Pre embedded parts for columns

/ Welding base



50立柱-3.0

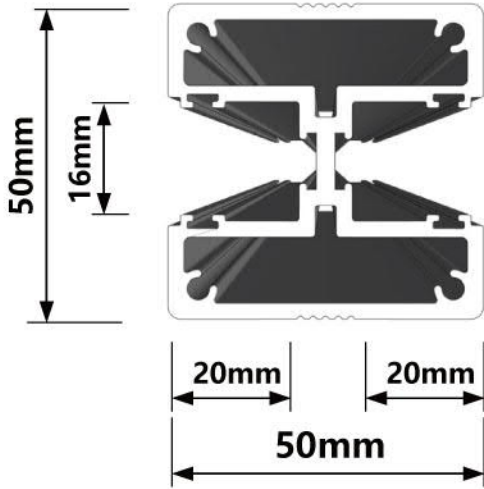
50 Columns-3.0mm



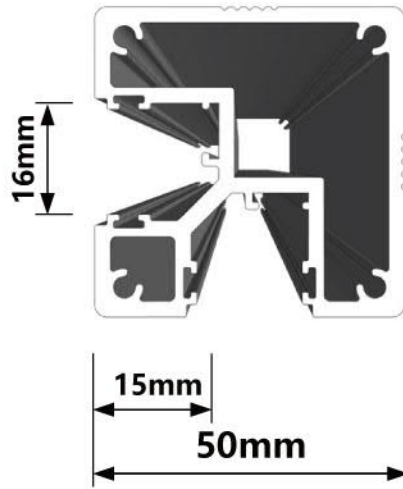
/ Pre embedded parts for columns
/ T : 6.0mm

厚度6.0mm
焊接底座

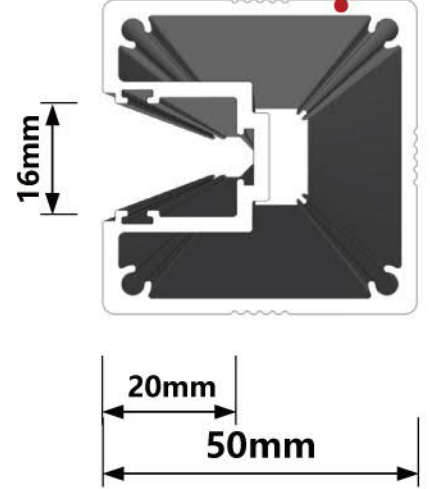
/ T : 3.0mm 壁厚3.0mm



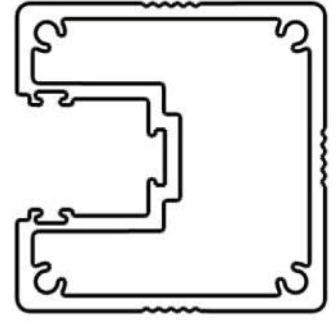
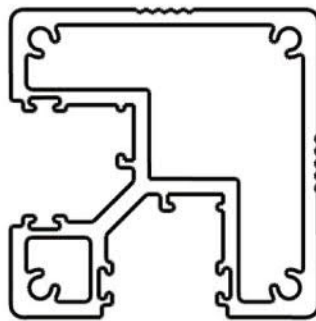
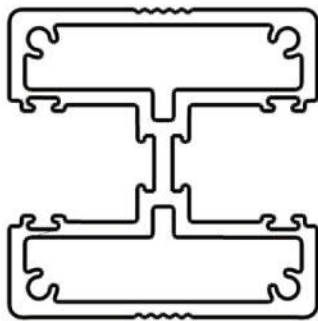
[双边立柱]



[转角立柱]

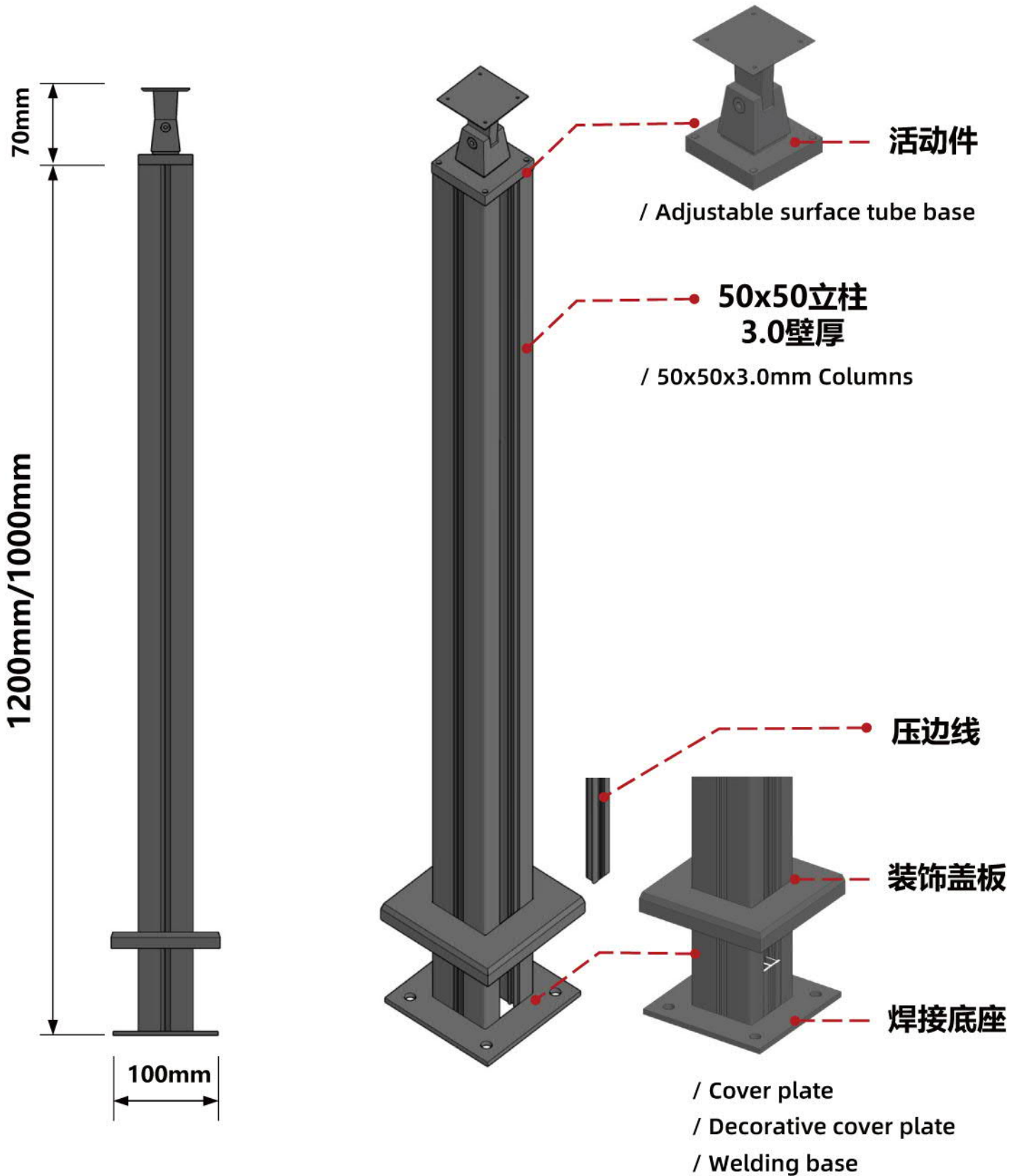


[单边立柱]



50立柱-3.0

50 Columns-3.0mm



80玻璃护栏立柱-A

80 Column of glass guardrail-A style

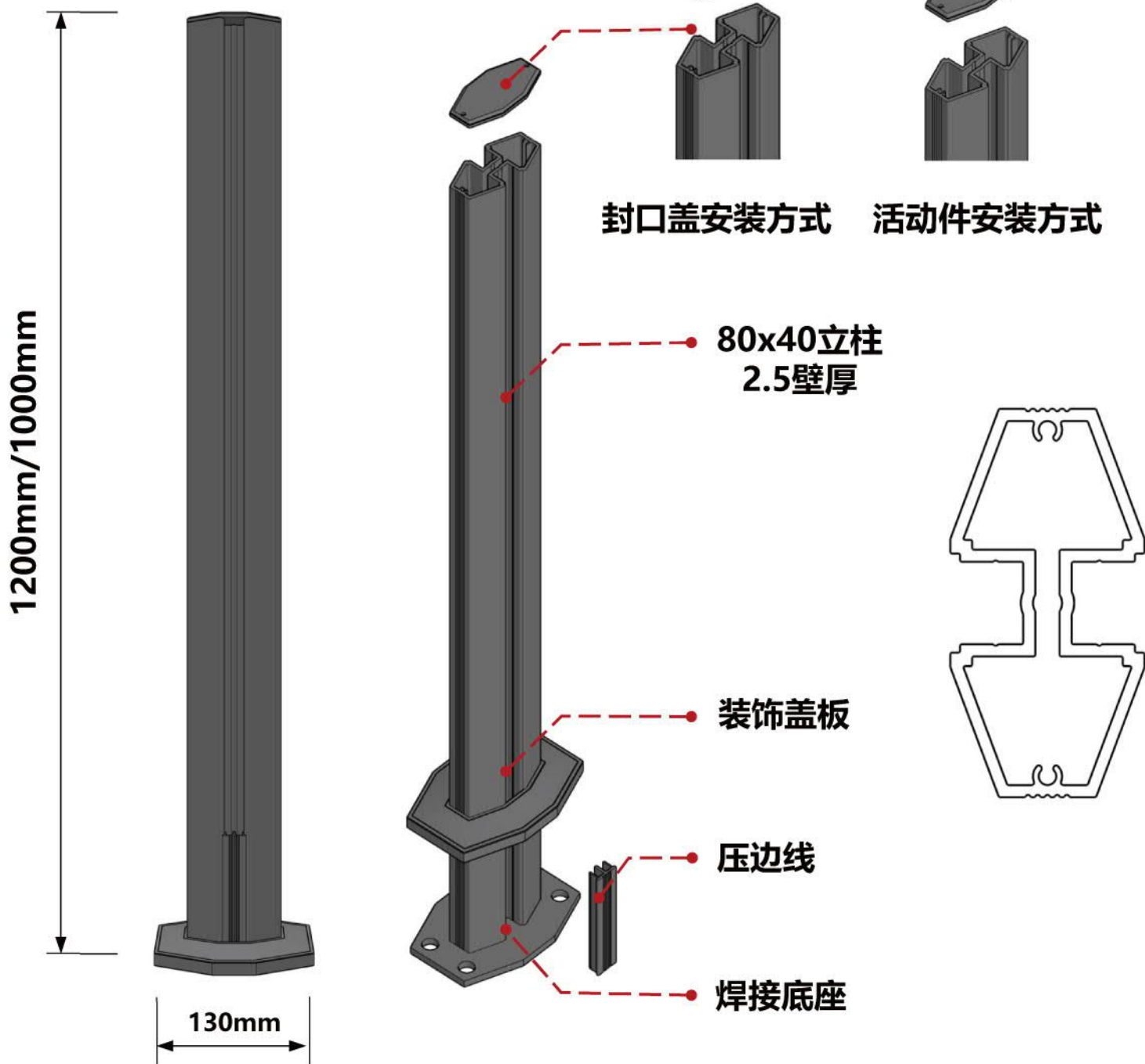
/ Blank cover / Adjustable surface tube base

/ 80x40x2.5mm Columns

/ Decorative cover plate

/ Cover plate

/ Welding base



80玻璃护栏立柱-B

80 Column of glass guardrail-B style

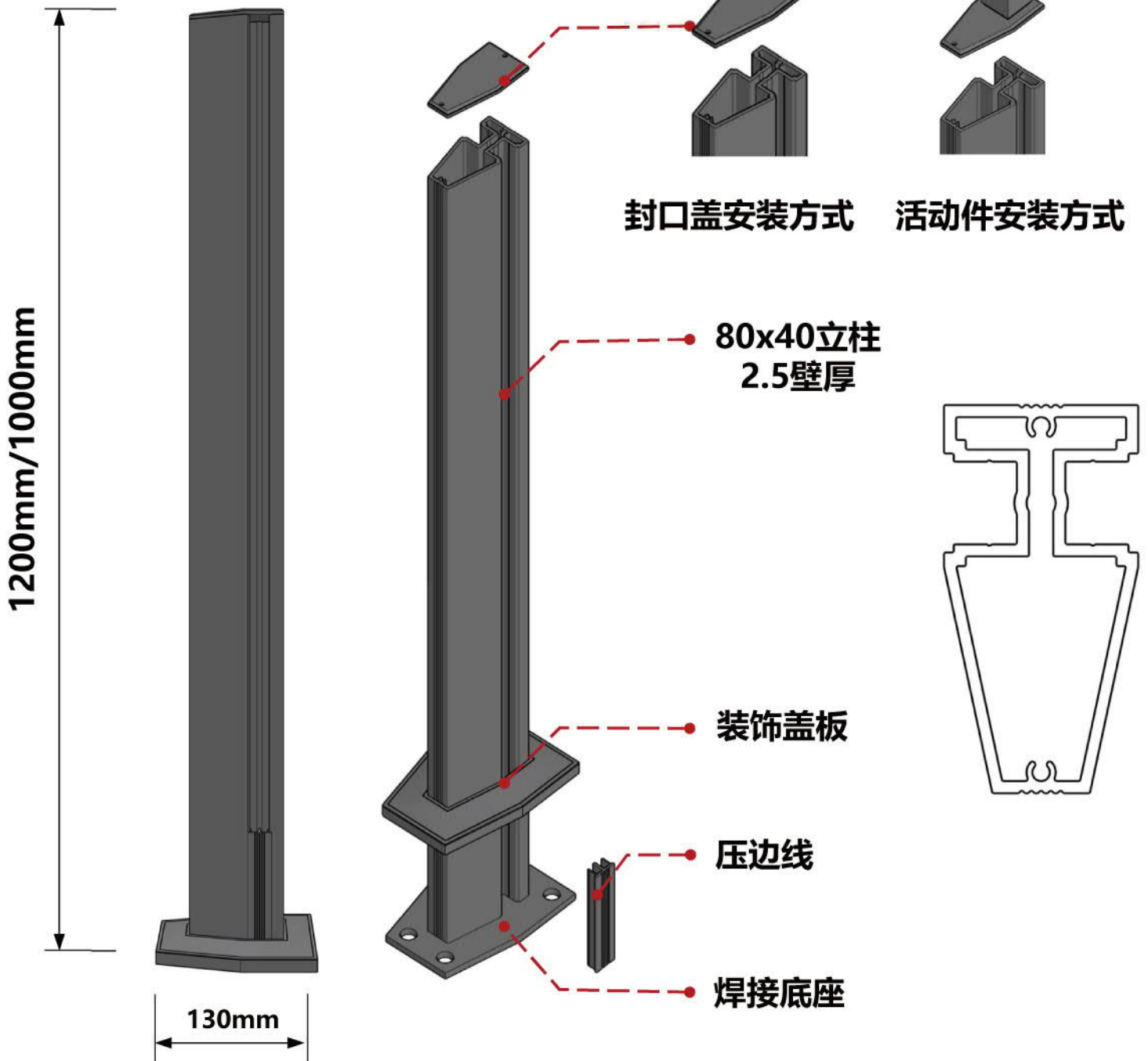
/ Blank cover / Adjustable surface tube base

/ 80x40x2.5mm Columns

/ Decorative cover plate

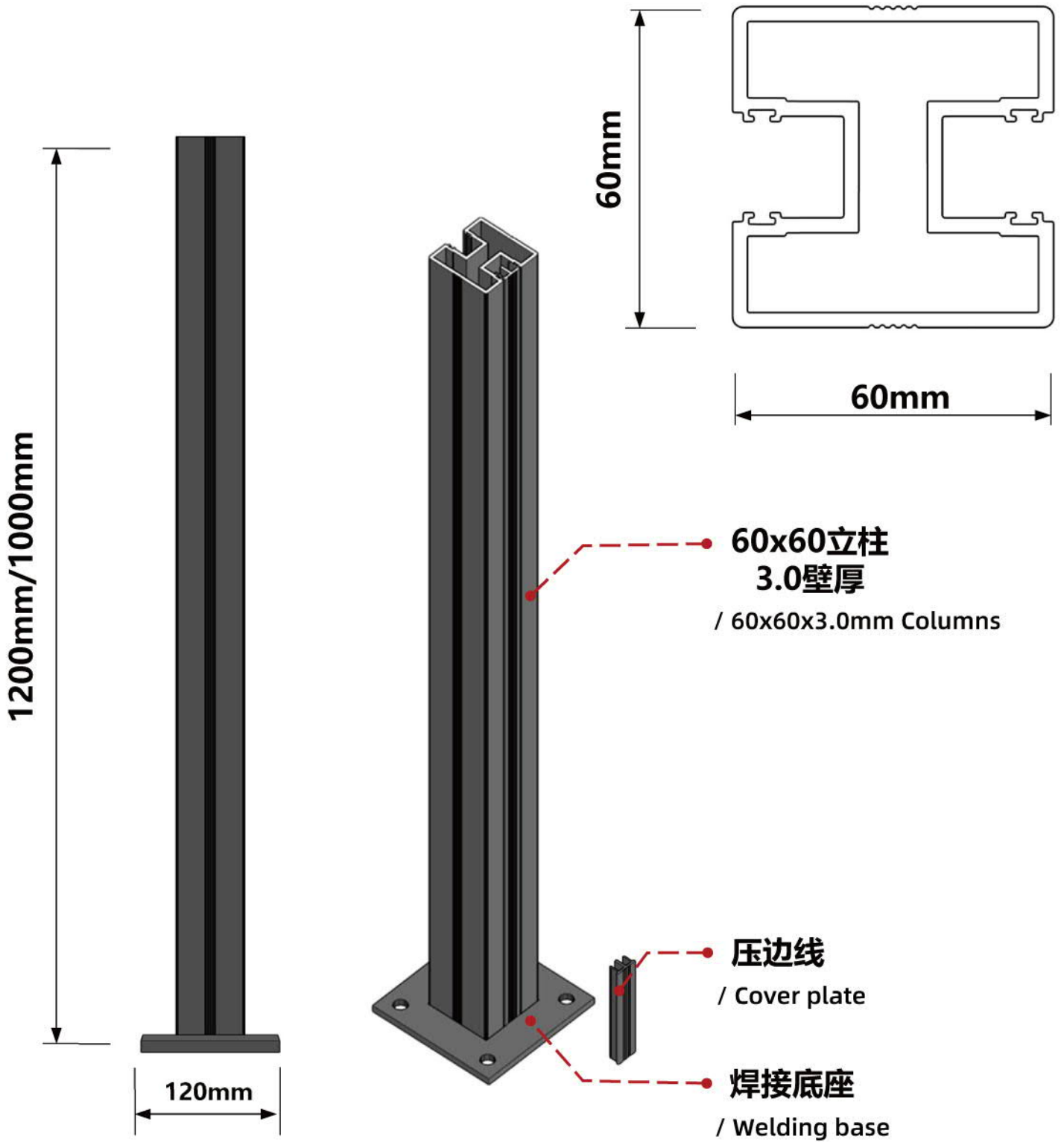
/ Cover plate

/ Welding base



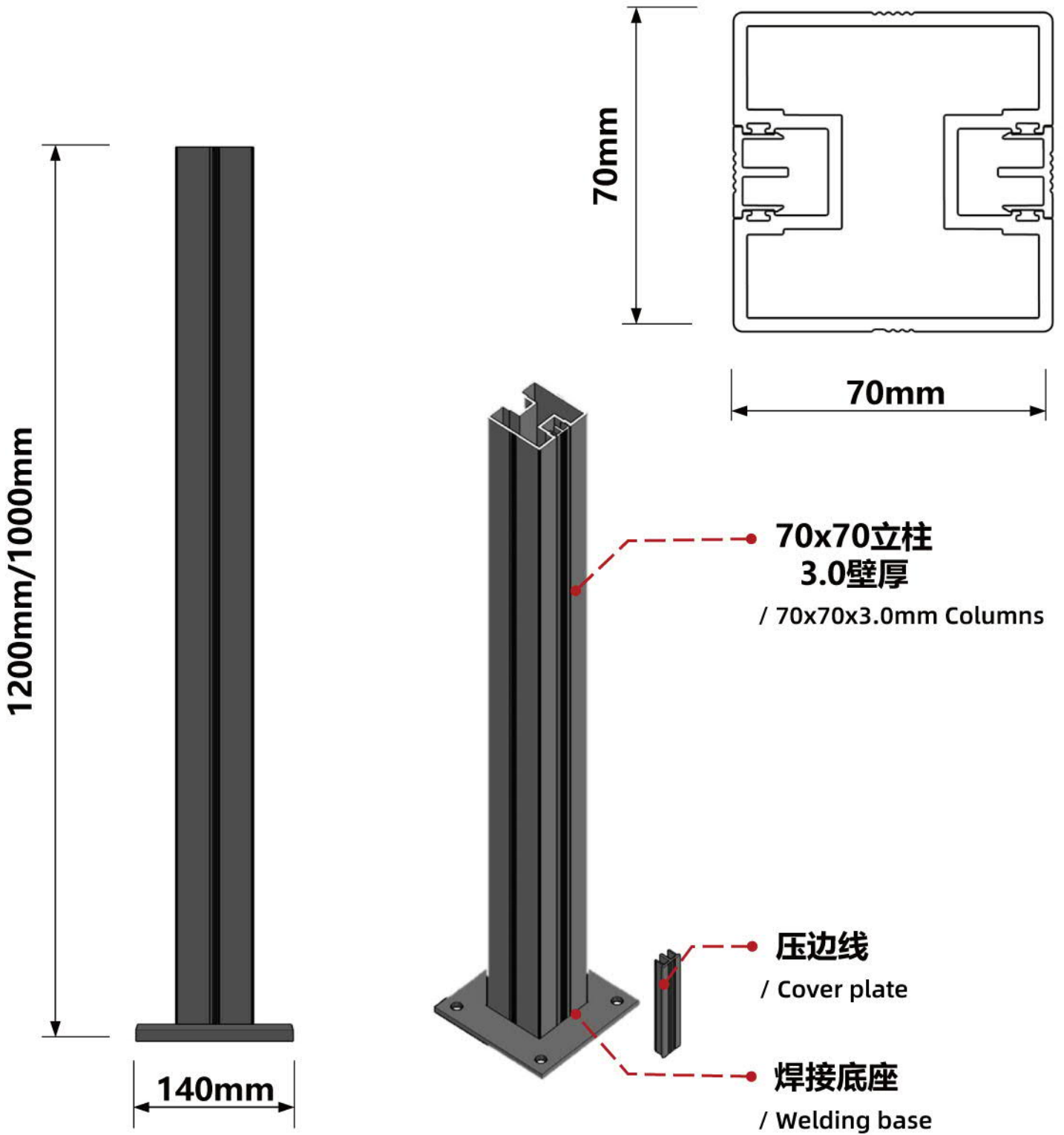
60玻璃护栏立柱

60 Column of glass guardrail



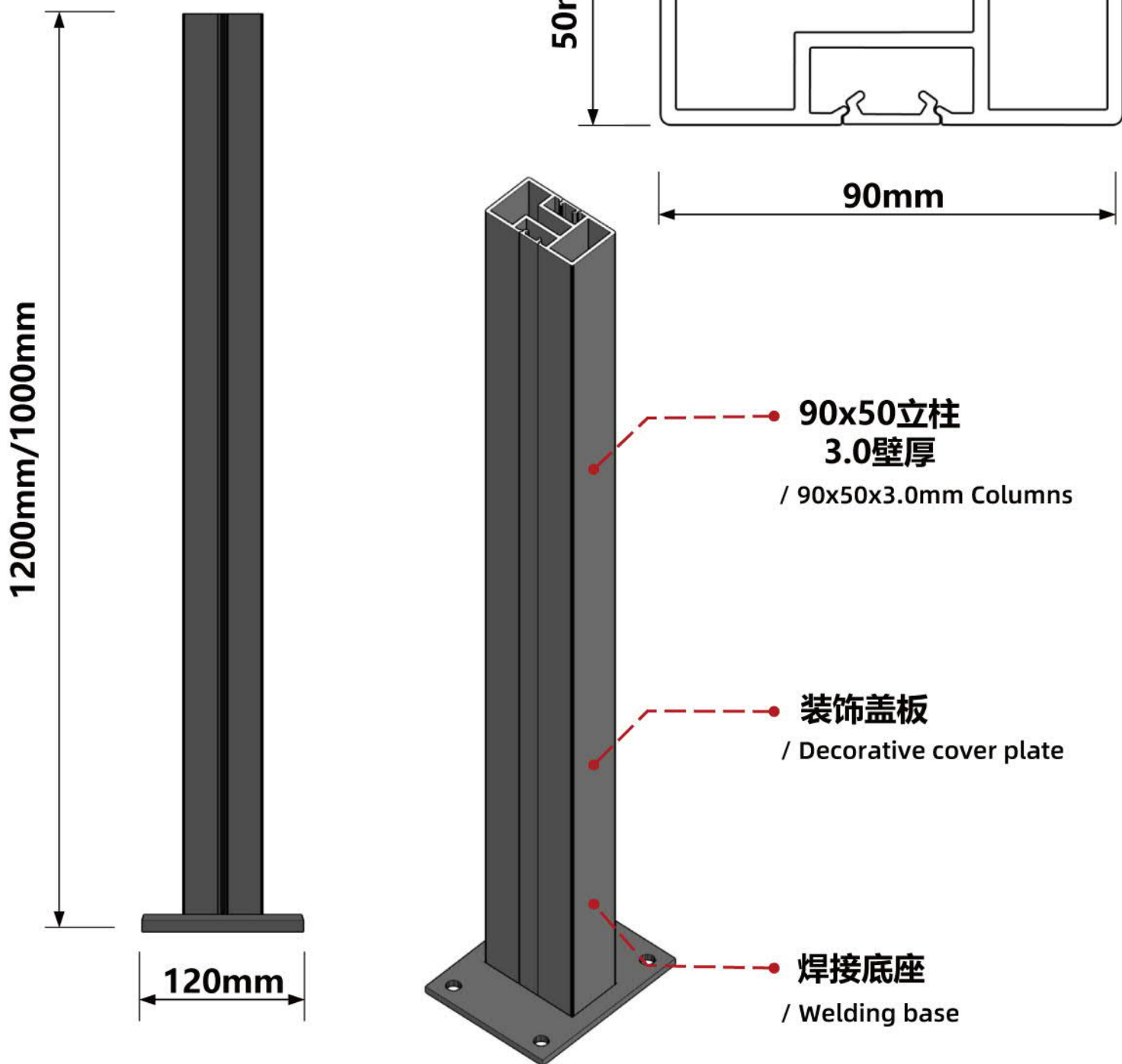
70玻璃护栏立柱

70 Column of glass guardrail



90玻璃护栏立柱

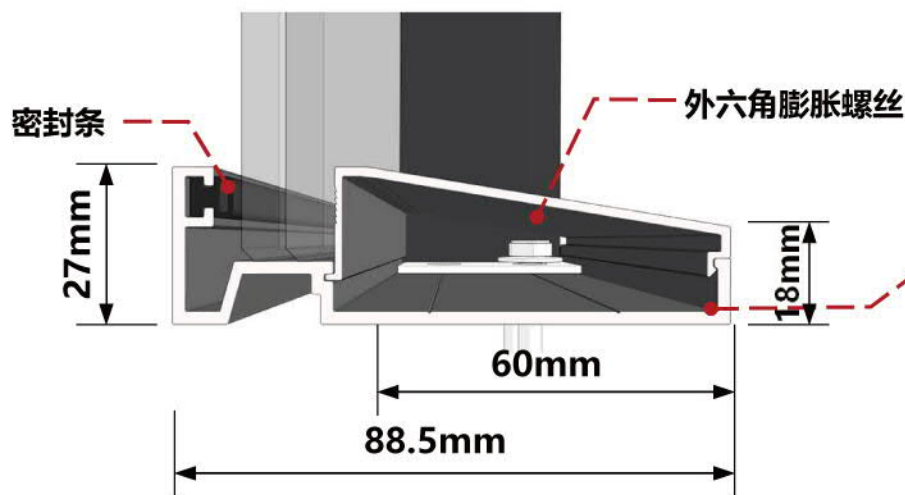
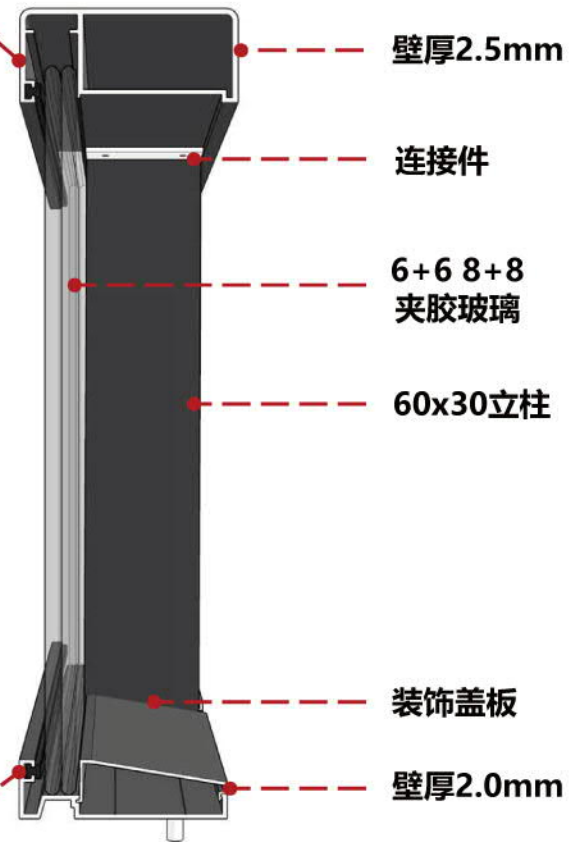
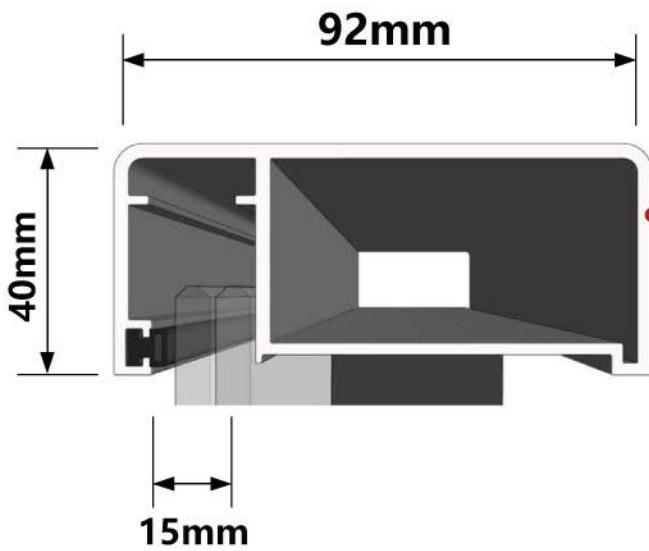
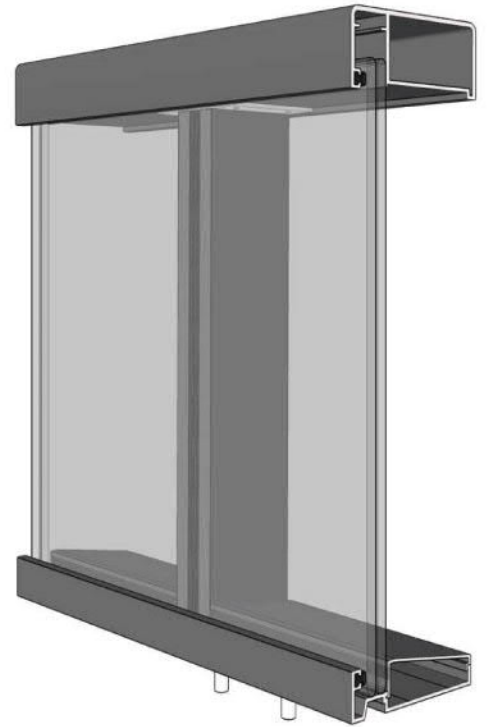
90 Column of glass guardrail



95系列玻璃护栏

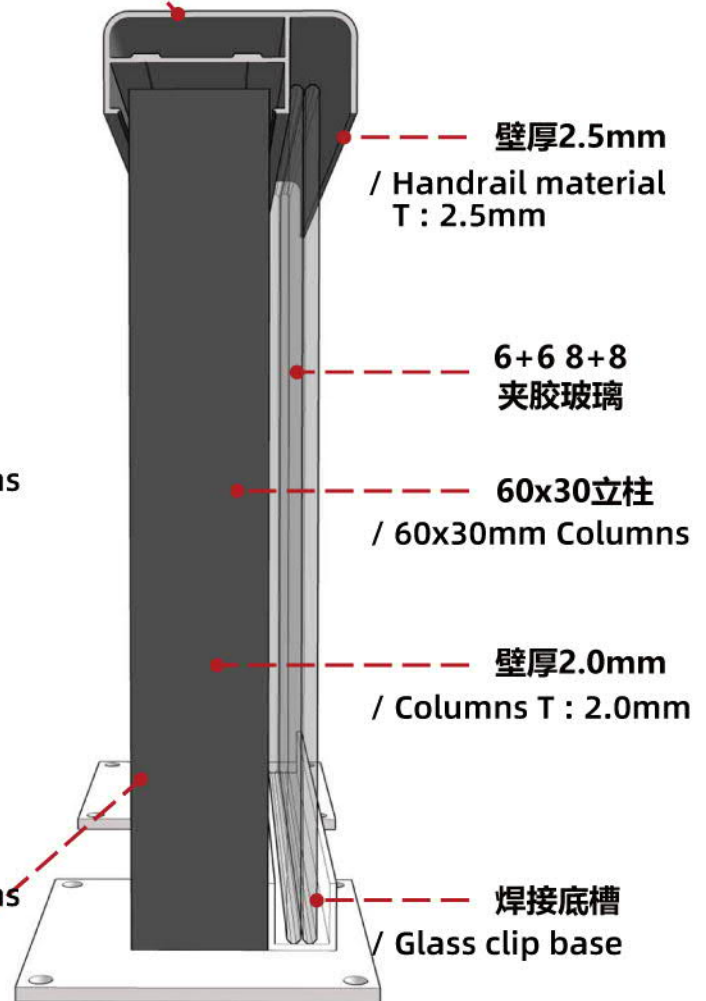
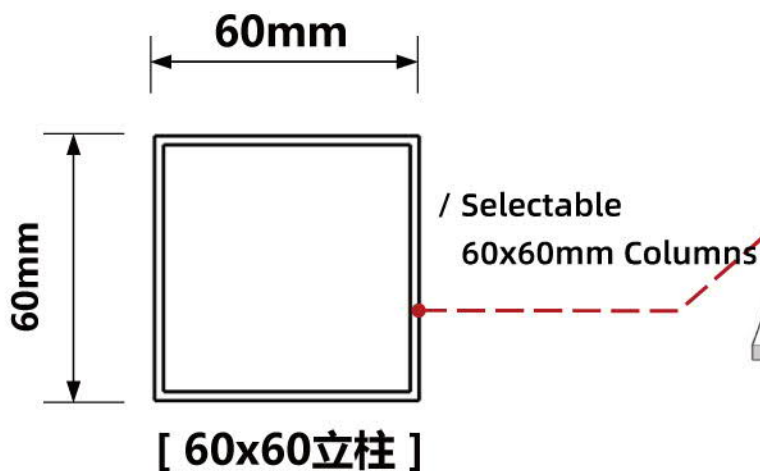
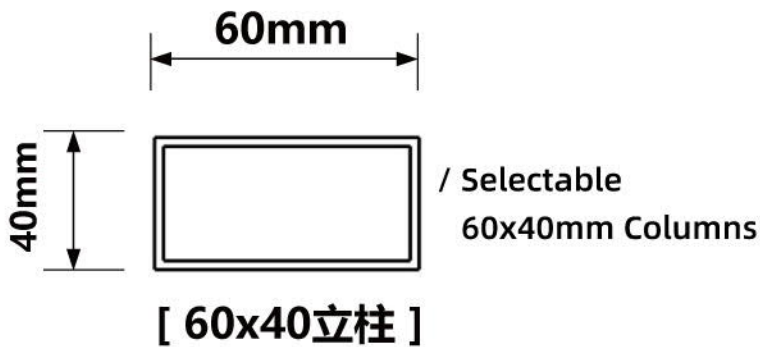
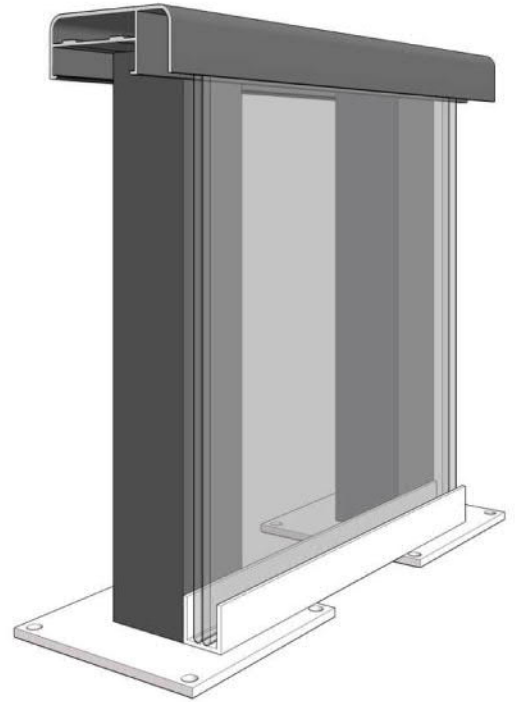
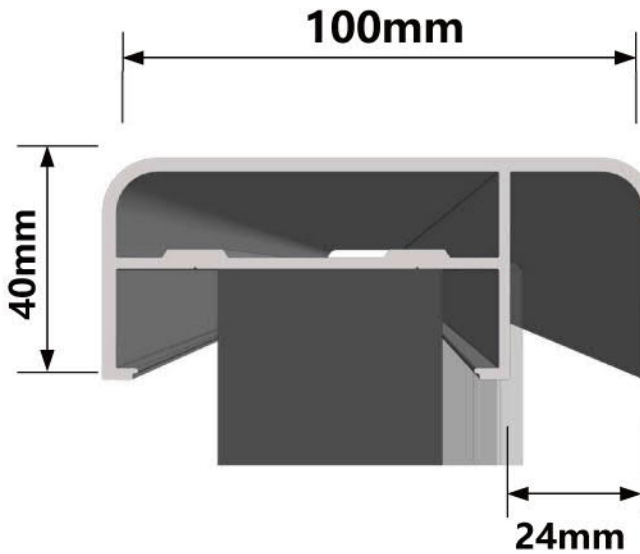
Glass guardrail - 95 series

- / Handrail material T : 2.5mm
- / Connecting Accessories
- / 6+6/8+8 Tempered laminated glass
- 10mm-16mm Tempered glass
- / 60x30mm Columns
- / Decorative cover plate
- / Bottom frame material T : 2.0mm
- / External hexagonal expansion screw



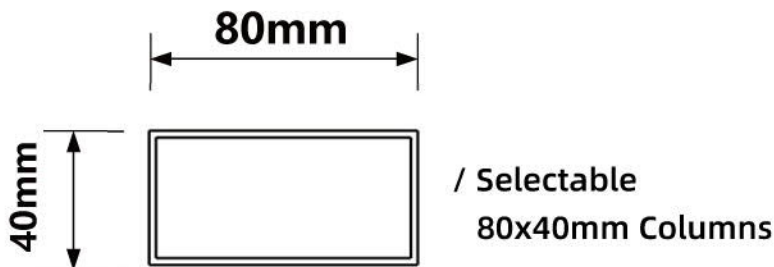
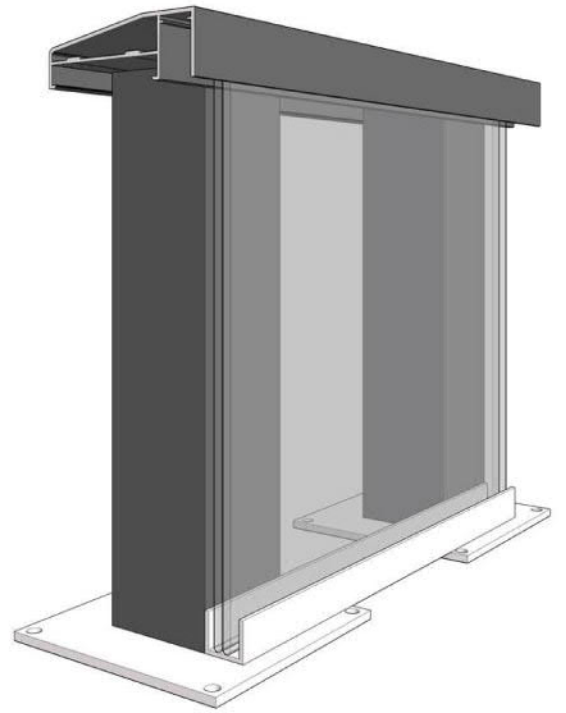
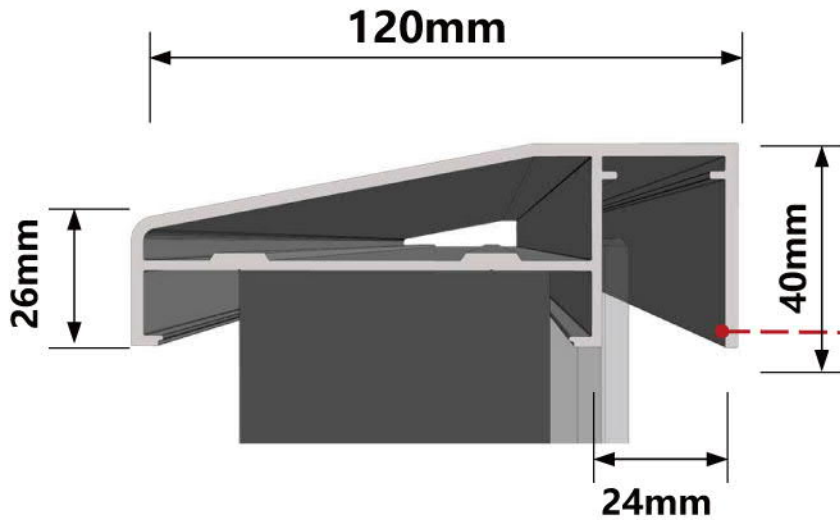
100系列玻璃护栏

Glass guardrail - 100 series

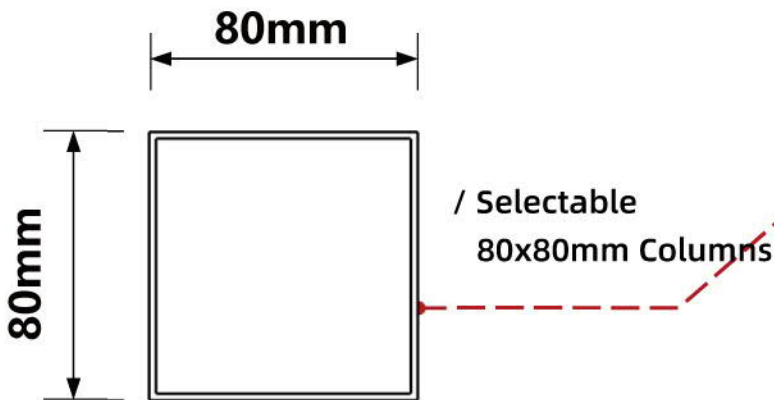


120系列玻璃护栏

Glass guardrail - 120 series



[80x40立柱]



[80x80立柱]

