



Product Catalog

GOLF WORKSHOP SUPPLIES



CONTENTS

01

BACKGROUND

About us

02

OUR PRODUCT

Golf workshop

03

SERVICE

Shipping & Service policy

About us

PERSONAL INTRODUCTION

- Yisuoti Sports Goods Co., Ltd. is a leading manufacturer and supplier of high-quality golf products under the renowned Wosofe brand. We offer a wide range of golf equipment and accessories to meet the needs of golf enthusiasts worldwide.
- Our commitment to quality, innovation, and customer satisfaction sets us apart in the industry. Customers choose us for our personalized services, quick delivery options, and the ability to customize golf equipment based on their personal preferences.
- At Yisuoti Sports Goods Co., Ltd., we take pride in our global presence and excellent reputation. Whether you are an e-commerce retailer, traditional wholesaler, or a passionate golfer, we welcome you to experience the distinctive offerings of Wosofe. Join us and elevate your golf game with top-notch products and exceptional service.



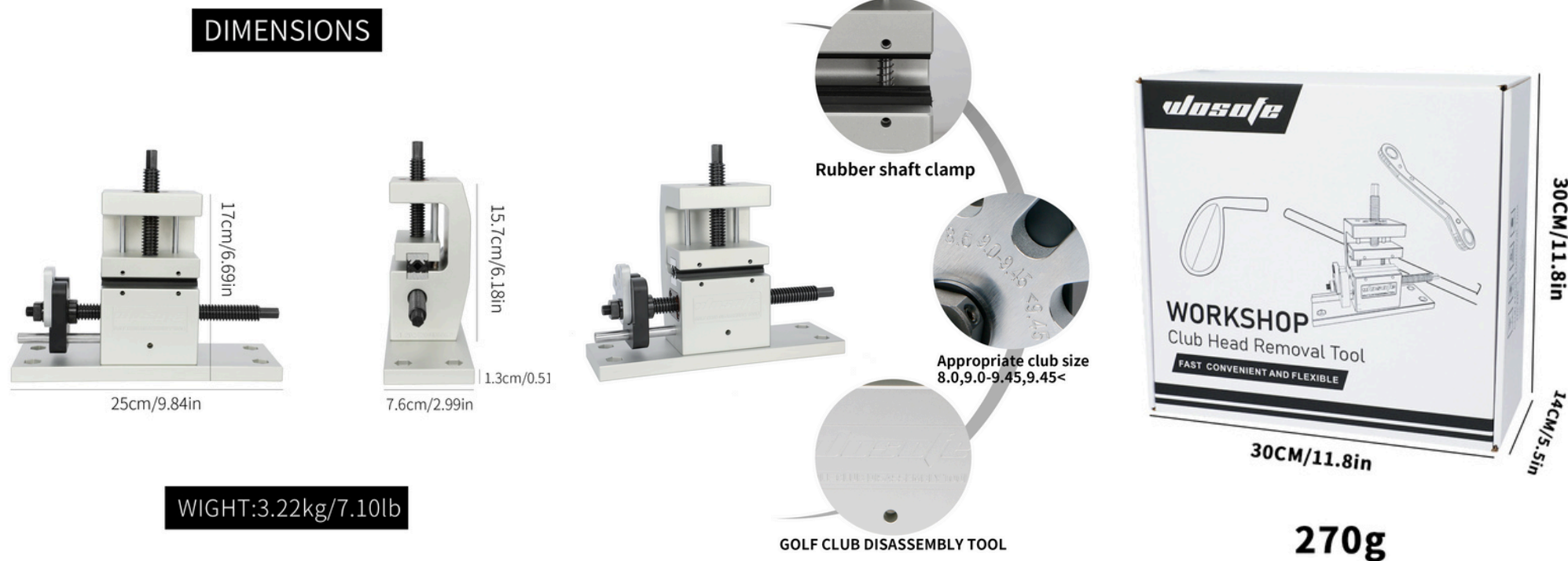
东莞市伊索缇体育用品有限公司
Yisuoti sporting goods co ,.Ltd



Lorem ipsum dolor sit amet, consectetur adipiscing elit. Maecenas porttitor congue massa.



Workshop Products



Product Description

Basic Info	
Place of Origin	Guangdong, China
Item Name	Golf workshop equipment(golf ball head shaft separator)
Material	Aluminum +CNC process
Weight	3.5KG
Product size	25*8*16CM
Carton size	30*14*30CM (Individual box weight: 270G)
USE	The Golf Workshop Equipment Shaft Extractor is a must-have tool for any golf repair shop. This device is designed to efficiently separate the club head from the shaft, making club repairs quick and easy. The Shaft Extractor is perfect for removing old or damaged shafts, allowing for easy replacement and customization. Its durable construction ensures long-lasting use, while its ergonomic design makes it comfortable to use for extended periods of time. Whether you are a professional club fitter or a DIY enthusiast, the Golf Workshop Equipment Shaft Extractor is the perfect tool for all your club repair needs.

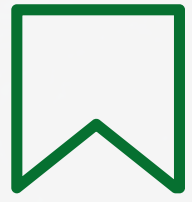
GOLF CLUB DIASSEMBSBLY TOOL



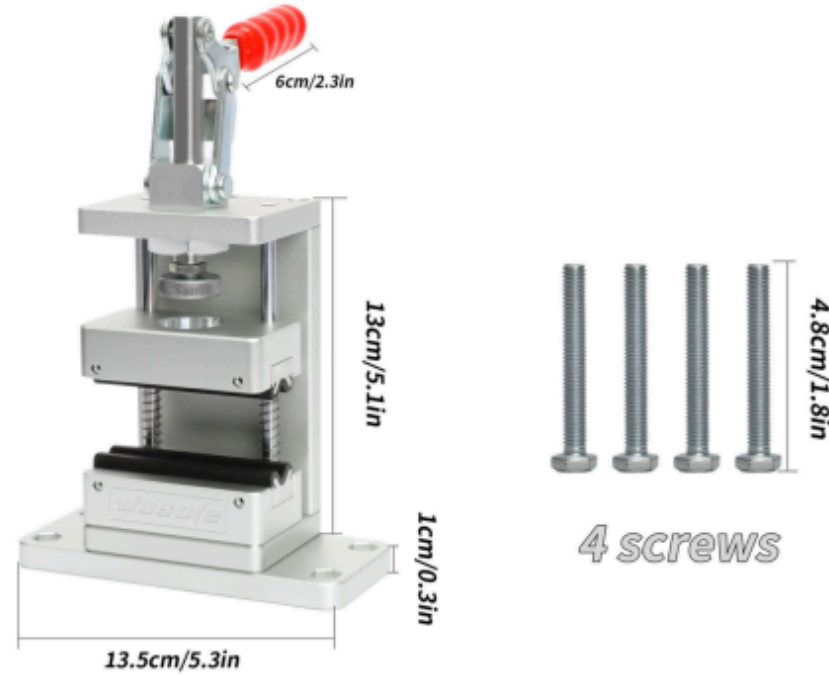
The Golf Club Shaft Extractor and Head Separator Workshop. Equipment is a must-have for any golf workshop. This innovative machines designed to efficiently remove club heads from shafts, making club repair and customization easier than ever before

Lorem ipsum dolor sit amet, consectetur adipiscing elit. Maecenas porttitor congue massa.





Golf Shaft Jig



1380g/3lb

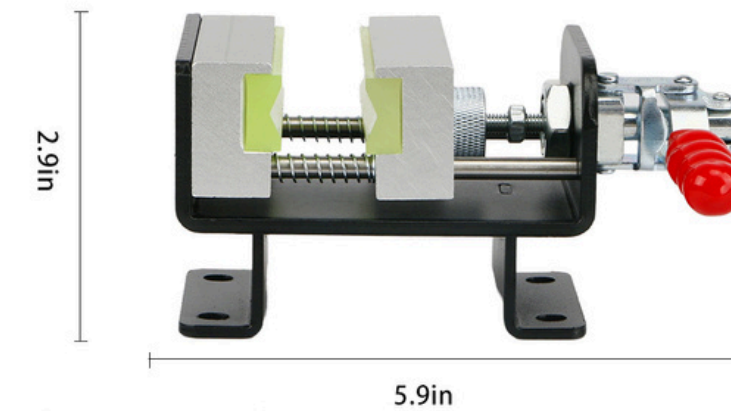
Product Description

Basic Info	
Place of Origin	Guangdong, China
Item Name	Golf workshop supplies
Material	Aluminum +CNC process
Weight	1.5KG
Product size	14*13*10cm
Carton size	24*22*10
Transport Package	Carton
USE	This clamp works great and worth the price. It's well made and easy to adjust as you move from steel to graphite
High quality	The quick adjustment feature makes it easy to work with, and the anti-slip design provides a solid grip. The durable aluminum construction gives peace of mind during grip replacement. A must-have for any golfer who likes to do their own club maintenance
EM Service	Accept your design,can change material,size,logo,colot,etc

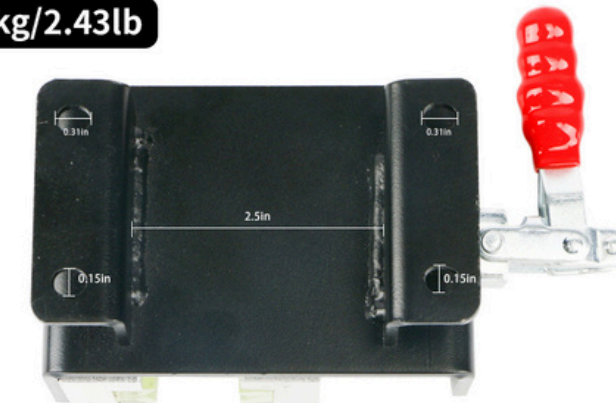
Product Description

Easy to Install Detachable Golf Club Regrip Vise Tool Set

Brand Name	Wosofe
Material	Aluminum
Color	Multicolor
Manufacturer	Generic
Suggested Users	Mens
Included Components	golf club vise clamp
Package Weight	1.1kg
Item Package Dimensions L x W x H	8.46 x 7.32 x 6.06 inches
USE	This clamp works great and worth the price. It's well made and easy to adjust as you move from steel to graphite
High quality	The quick adjustment feature makes it easy to work with, and the anti-slip design provides a solid grip. The durable aluminum construction gives peace of mind during grip replacement. A must-have for any golfer who likes to do their own club maintenance



1.1kg/2.43lb



Lorem ipsum dolor sit amet, consectetur adipiscing elit. Maecenas porttitor congue massa.



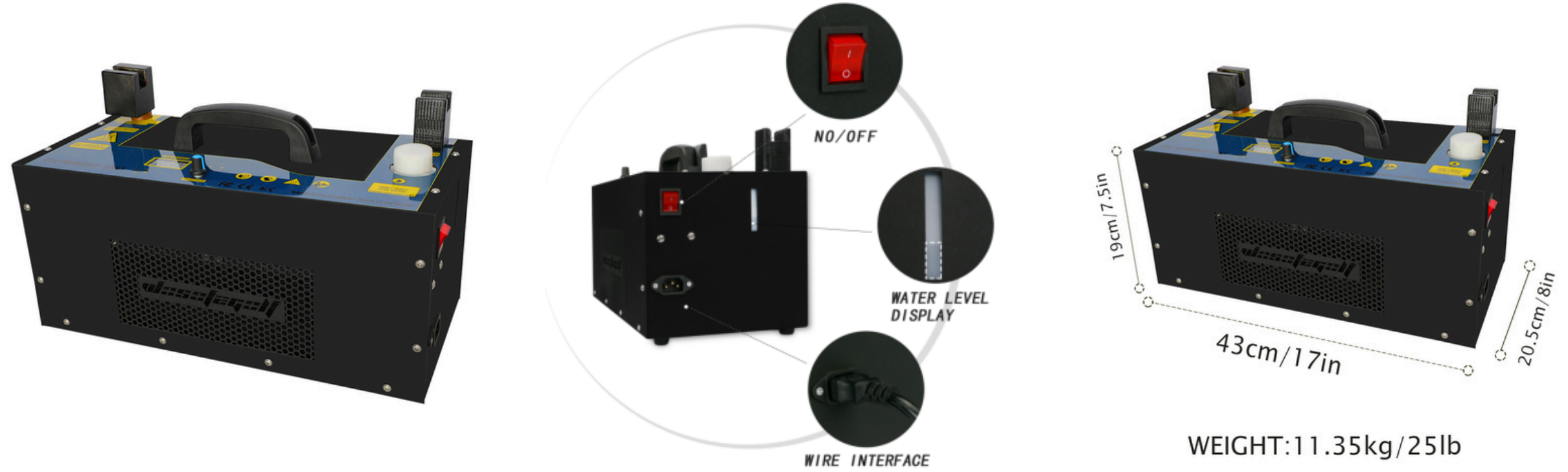
Golf Workshop Equipment



Durable Construction: Made of high quality metal material + inner circuit boards for consistent longevity and reliability through long term use.

Essential workshop tools: Perfect 10-20 seconds quick removal of the club head, providing the fastest and best performance for golfers

Versatile Cutting: Effortlessly utilizes the principle of inductive heating to easily separate the club head from the shaft. Graphite shafts and steel body shafts are both suitable



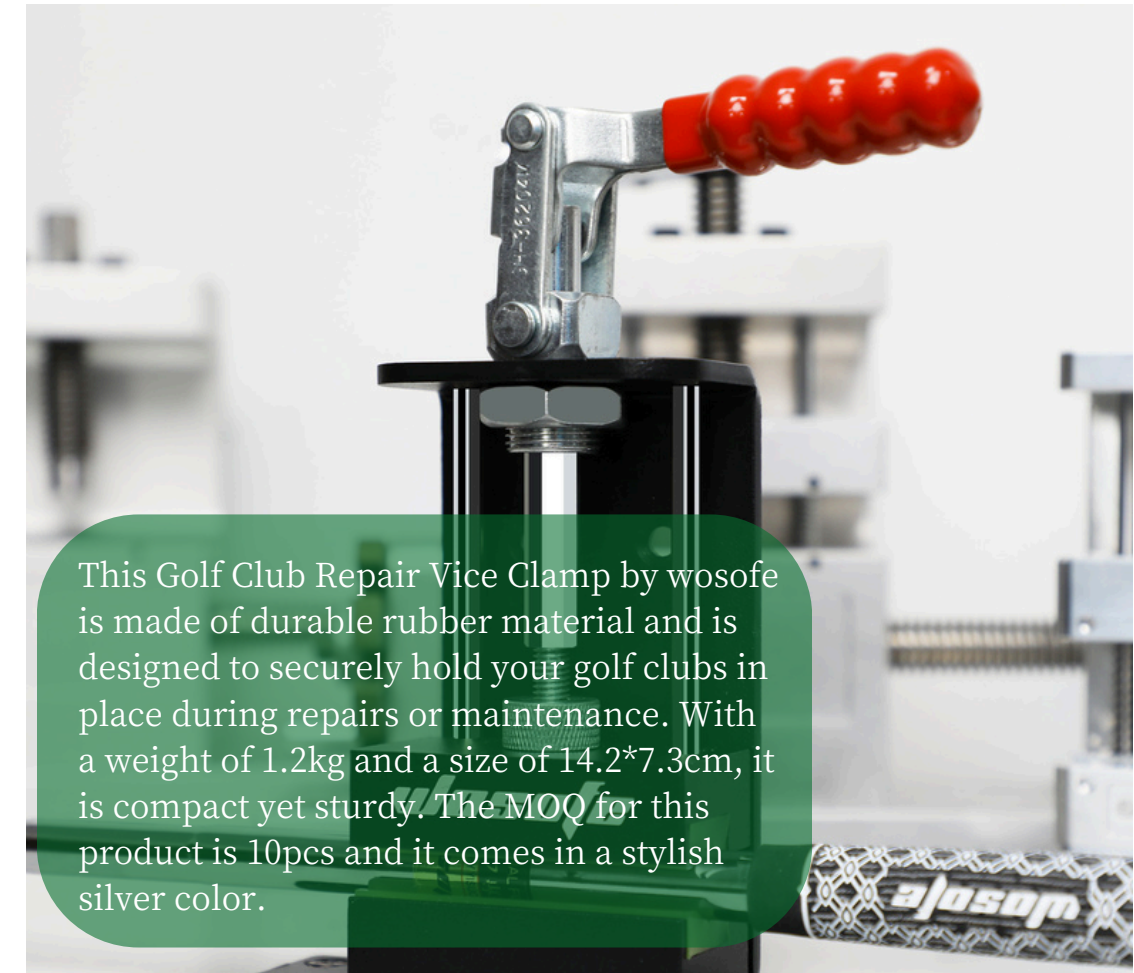
Product Description

Basic Info	
Place of Origin	Guangdong, China
Item Name	Golf workshop equipment(Golf club head replacement tool)
Material	Hardware frame + internal circuit board structure
Weight	Net weight 11.5KG, Gross weight: 12.5KG
Size	Product size 43*20.5*19CM, outer box size: 52*37*40CM
Carton size	30*14*30CM (Individual box weight: 270G)

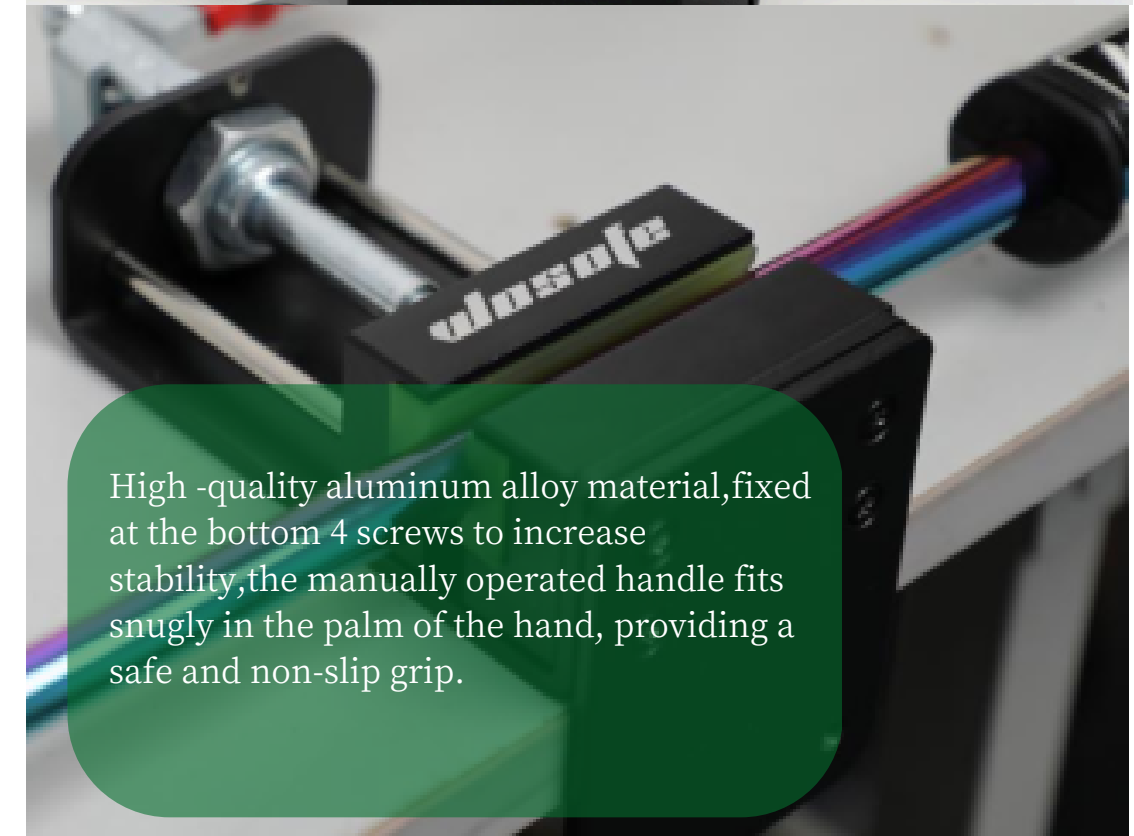
Lorem ipsum dolor sit amet, consectetur adipiscing elit. Maecenas porttitor congue massa.



Golf Club Vise Tool



This Golf Club Repair Vice Clamp by wosafe is made of durable rubber material and is designed to securely hold your golf clubs in place during repairs or maintenance. With a weight of 1.2kg and a size of 14.2*7.3cm, it is compact yet sturdy. The MOQ for this product is 10pcs and it comes in a stylish silver color.



High-quality aluminum alloy material, fixed at the bottom 4 screws to increase stability, the manually operated handle fits snugly in the palm of the hand, providing a safe and non-slip grip.

Product Description

Basic Info	
Place of Origin	Guangdong, China
Item Name	Golf workshop supplies
Material	Iron + aluminum
Weight	1.2kg
Product size	14.2*7.3cm
Carton size	20X12X10 cm
Transport Package	Carton
EM Service	Accept your design, can change material, size, logo, color, etc

Lorem ipsum dolor sit amet, consectetur adipiscing elit. Maecenas porttitor congue massa.



Shipping & Service policy



Ocean shipping



Land shipping



Air shipping

A. Service Scope

- Product Quality Issues: Provide exchange or repair services.
- Transportation Damage: Free repair or replacement.
- Within Warranty Period: Free repairs.

C. Service Liability

- Product Quality Issues: Free after-sales service provided.
- Human-caused damage or non-quality issues: Customer bears costs.

B. Service Process

- Provide problem description and evidence.
- Verify and confirm the issue.
- Provide corresponding after-sales service.

Other Terms

- Applicable to customized single customers.
- Reservation of interpretation and modification rights.

