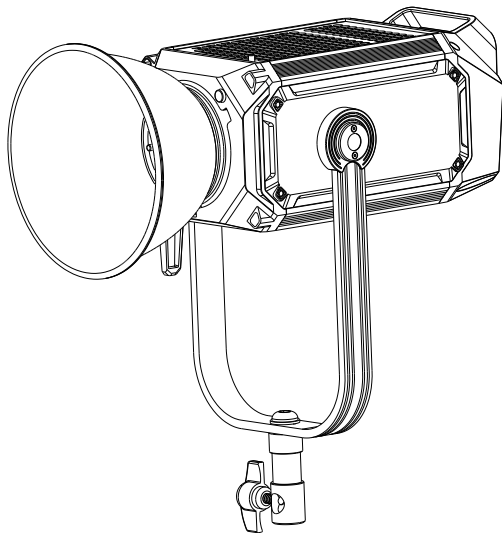


COOLCAM 

400X 

User Manual



1.Introduction

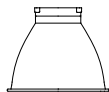
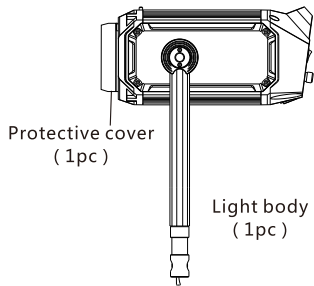
Thank you for purchasing the Lishuai COOLCAM series of LED video lights. The LiShuai COOLCAM series products are the high-performance professional lights specially designed for high-end live streaming and commercial shooting.

The COOLCAM 400X [G] light body is compact and lightweight yet delivers exceptional performance with high brightness, excellent color rendering, and a high-quality light source, significantly enhancing picture quality. Moreover, it comes with the new Light Reel APP, which provides more options for live streaming rooms and studio lighting. With 0-100% precise stepless dimming, 11 built-in movie grade special effects, and three levels of cooling fan speed adjustment, it offers functional settings that cater to different scenarios and comprehensively improve work efficiency. It also features single or dual color temperature selection, wireless light control methods, and a standard Bowens mount design, which makes it easy to unleash your creativity without pressure.

2. Warnings

1. Do not disassemble or modify the light.
2. Do not operate with wet hands, doing so may cause electric shock.
3. Do not operate in environments near flammable gases or volatile liquids as this may increase the risk of explosion/fire.
4. Do not operate in enclosed spaces where heat buildup can be extreme, such as a car on a sunny day. The increased heat may cause premature failure of the lighting unit.
5. Do not touch the plug or AC adapter with wet hands; doing so may cause electric shock.
6. Do not damage, disassemble, pull or twist the power cord, otherwise it may cause fire or electric shock.
7. Do not place under heavy objects.
8. Keep the light surface clean with a soft, dry cloth.
9. Use ONLY the provided AC power adapter; using other AC power adapters may result in damage to the light.
10. Do not forcefully collide with the LCD touch screen to avoid damage.
11. Avoid dust and debris buildup on the light surface as this will change illuminance and color temperature.
12. When using accessories please ensure that these are installed properly to avoid damage to the light or other safety issues caused by falling accessories.
13. Please loosen the adjustment & locking handle before adjusting the angle of the lamp body.

3.Standard Equipment List



Standard cover
(1pc)

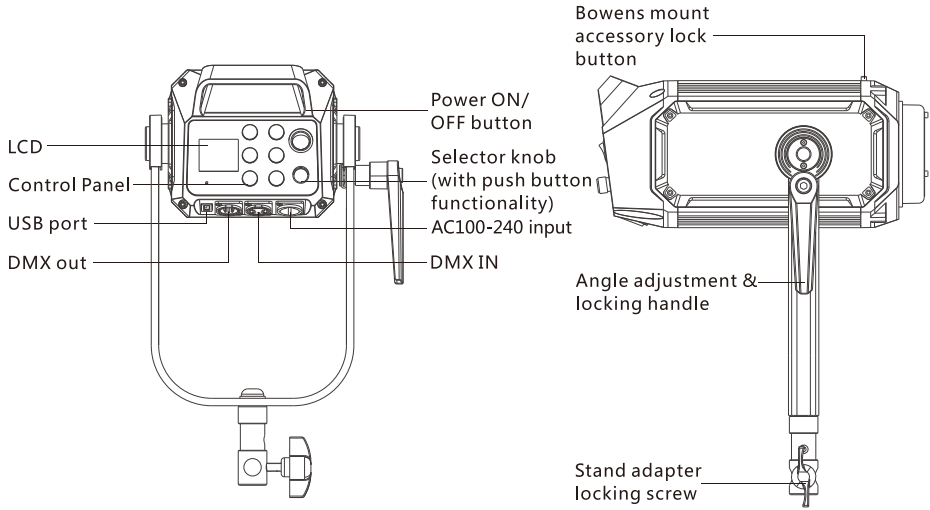


AC Power cord
(1pc)



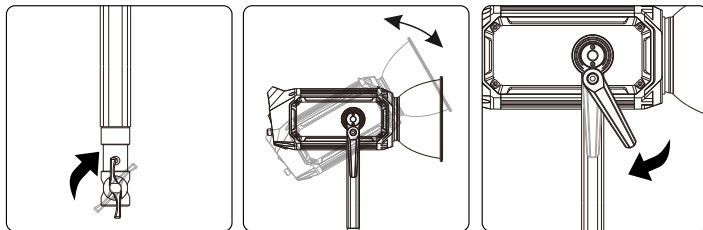
Instruction manual
(1pc)

4.Parts Diagram



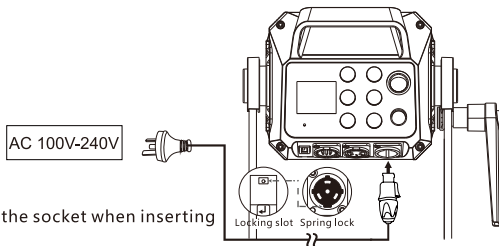
5.Operation Instructions

1.Light Installation



Tighten the stand mount locking screw to fix the light on the tripod, adjust the appropriate angle with the light handle, and then lock the locking handle clockwise.

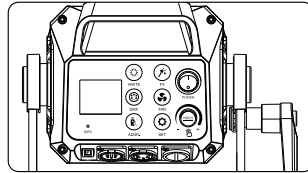
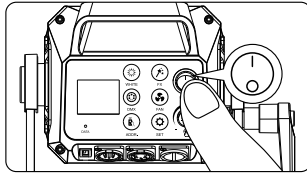
2.Power supply



Note: Align with the socket when inserting

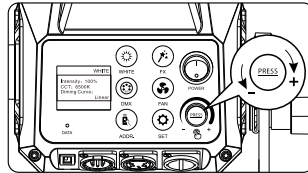
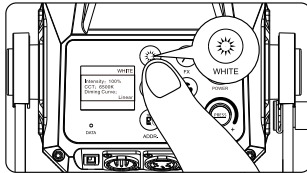
Insert one end of the power cord into the AC input port on the lower right corner of the light, and then connect the external power supply.

3. Power on and turn on the power switch



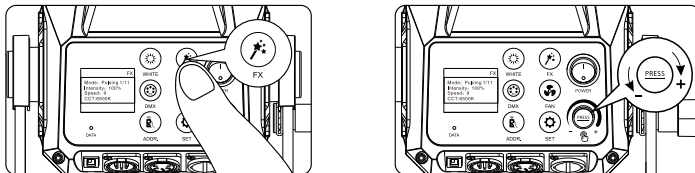
Press the power switch on the control panel of the lamp , the light is on. The buttons on the control panels are for white light, special effects, DMX, fan, address and settings.

4. White Mode



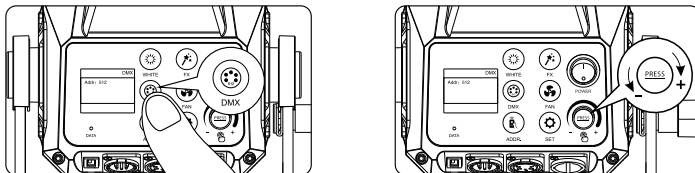
Press the White button to enter White interface, and short press the selector knob to switch between brightness ,color temperature and dimming curve modes. Rotate the selector knob to adjust the value, with a brightness adjustment range of 0-100% and a color temperature adjustment range of 2700K-6500K.Rotate the selector knob to switch between linear, exponential, logarithmic, and S-Curve.

5.FX Mode



Press the FX button to enter the special effects interface and short press the selector knob to switch between mode, brightness, speed, and color temperature. To adjust the settings, rotate the selector knob to the desired value. The special effects mode range is from 1 to 11. The brightness adjustment range can be set from 0 to 100%. Adjust the speed with the selector knob within the range of 0 to 9. You can also adjust the color temperature by selecting between 2700K to 6500K, or by selecting warm white, neutral, or cold white.

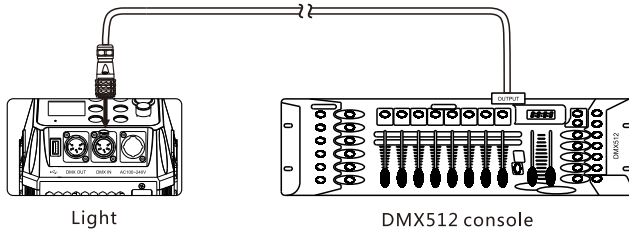
6.DMX Mode



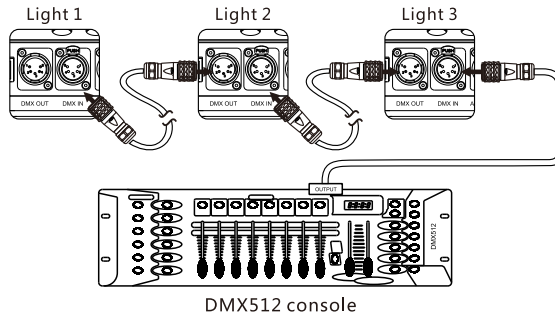
Press the DMX button to enter the DMX interface and rotate the selector knob to adjust the value, with an address adjustment range of 1-512.

(1)When using DMX, connect the DMX cable(to be purchased separately) to the console. Set up DMX address on the light to match the DMX console. Now the light is controlled by the DMX signal.

DMX connection for single light



DMX connection for multiple lights



(2)DMX Control

a.Single color temperature light :

The brightness is the corresponding channel on the console, such as 1-1 brightness (1 channel), 1-2 brightness (2 channels), 1-3 brightness (3 channels)...

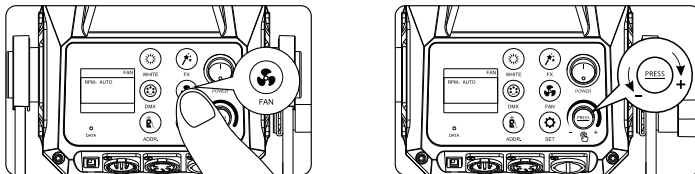
b.Dual color temperature light :

Brightness and color temperature are adjacent channels on the console. If 1-1 is brightness, then 1-2 is color temperature (1 channel); 1-2 represents brightness, 1-3 represents color temperature (2 channels)...

DMX Address Correspondence Table :

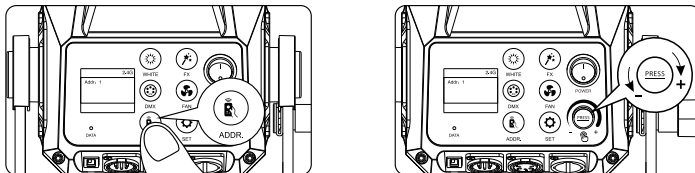
LCD display address	DMX console channels (single color temperature)	DMX console channels (Bi-color temperature)
1	1-1 (Brightness)	1-1 (Brightness) ,1-2 (Color Temperature)
2	1-2 (Brightness)	1-2 (Brightness) ,1-3 (Color Temperature)
.....
16	1-16 (Brightness)	1-16 (Brightness) ,2-1 (Color Temperature)
17	2-1 (Brightness)	2-1 (Brightness) ,2-2 (Color Temperature)
.....
511	32-15 (Brightness)	32-15 (Brightness) ,32-16 (Color Temperature)
512	32-16 (Brightness)	32-16 (Brightness) ,32-17 (Color Temperature)

7.Fan Mode



Enter the fan interface and rotate the selector knob to switch between automatic, low, medium, and high modes.

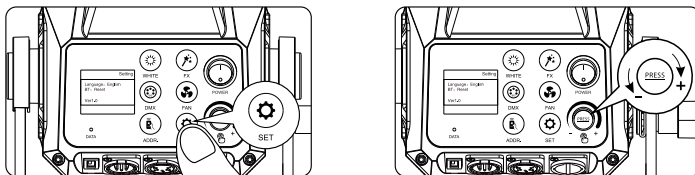
8.Remote Control Mode(remote control for optional purchase)



Press the Address button to enter the remote control interface and rotate the selector knob to adjust the address. The remote control address adjustment range is 1-12, and the remote control address selection is synchronized with the light.

Noted: RMT-OFF means that the remote control function can not be used.

9. Setting Mode



Press the setting button to enter the settings interface and short press the selector knob to switch between language and Bluetooth settings.

- Language switching: Rotate the selector knob to switch between Chinese and English options.
- Bluetooth settings: Before using the APP to control the lighting, rotate the selector knob to reset the Bluetooth of the lighting.

10. APP Control



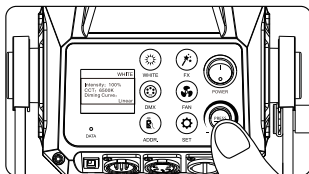
Operation Instruction



Download the APP

Users can search for "Light Reel" in the Apple store and Android market, or scan the QR code above to download APP to control the lighting.

11.Lock screen

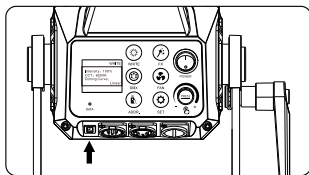


Quickly press the multi-function knob twice on any interface to lock the screen. At this time, the word "LOCK" appears in the lower right corner of the display screen, indicating that the screen is successfully locked.

Repeating short press twice will unlock the screen, that is, the word "LOCK" disappears.

12.Firmware upgrade

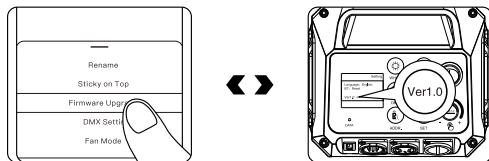
(1)Use USB port for firmware upgrade



Insert the U disk with the upgrade program into the USB port on the lower left side of the light control panel when the light is turned off, then turn it on, the data indicator light will be on. Wait for about 10 seconds for the menu interface to appear, and the upgrade is complete.

Note: The upgrade software can be downloaded from Lishuai official website www.lishuai-lighting.com

(2)Use APP to upgrade



Users can upgrade their firmware through the Light Reel APP. After the upgrade is successful, they need to restart the lighting and enter the settings interface to view the current device version.

6.Product specifications

Product model	400X 【G】
Power	450W
Beam angle	120°
Color temperature	2700K-6500K
CRI	Average 96
TLCI	Average 97
Rf	Average 94
Rg	Average 103
Working voltage	AC100V-240V , 50/60Hz
Size	300 x 240 x 375mm
Weight	5.3kg

400X [G] Illuminance data						
CCT	Distance	1m	2m	3m	4m	5m
	Data					
2700K	W/O reflector	11210 lux	2870 lux	1320 lux	760 lux	500 lux
	Standard cover	32690 lux	7550 lux	3270 lux	1840 lux	1190 lux
3200K	W/O reflector	12200 lux	3120 lux	1430 lux	830 lux	540 lux
	Standard cover	35650 lux	8290 lux	3550 lux	2000 lux	1300 lux
5600K	W/O reflector	14110 lux	3610 lux	1660 lux	960 lux	630 lux
	Standard cover	41090 lux	9670 lux	4210 lux	2360 lux	1530 lux
6500K	W/O reflector	14710 lux	3790 lux	1740 lux	1000 lux	660 lux
	Standard cover	43710 lux	10190 lux	4400 lux	2480 lux	1600 lux

Product specifications are based on testing our laboratory samples. The product may vary slightly, however these variations will not affect normal use. The design and specifications are subject to change without notice.



☎ 0574-62763333/62636368 📠 0574-62636398 ✉ ls@lishuai.com.cn

📍 No.55 East Zhenxing Road, Yuyao City Zhejiang Province, China