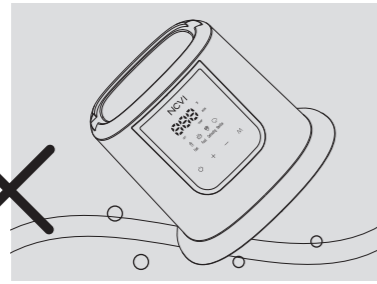


## Cleaning and Descaling

1. Unplug the bottle warmer and make sure it cooling down before cleaning
2. Do not immerse the working base into water for cleaning.
3. It is recommended to use distilled water to prevent scale.
4. Mix 10g citric acid cleaner or 1.7oz of white vinegar with 100mL/3.4oz cold water to descale the bottle warmer. Use STERILIZING FUNCTION for 3 minutes to complete the descaling. Use acetic acid to descale the bottle warmer only.



## Warning

1. People who is disabled or lack of knowledge should be supervised or instructed by people who fully understand safe use of this appliance and the danger of mistake operating.
2. People with sensory or mental disabilities and children should not use this product.
3. Before connecting the product to the power supply, be sure to check whether the voltage marked on the product matches the power supply voltage
4. Make sure product's power plug is securely plugged into a grounded outlet.
5. Do not let the power cord and plug contact with hot surfaces and sharp edges. If the power plug or cord or the product itself is damaged, do not use this product.
6. Not for storage of carbonated drinks.
7. This product is for indoor use only.

## Attention

1. Please read the user manual carefully before use.
2. Do not immerse bottle warmer into water for cleaning.
3. Bottle warmer should be filled with appropriate amount of water. Water should not be overfilled the maximum water level to avoid scalded by boiling water (bottle should not be floating after adding water). In addition, make sure there is enough water to avoid dry burning.
4. Put the product on a horizontal place. When the bottle warmer is working, do not touch the base and shell to avoid burning.
5. Be careful of boiling water and steam while sterilizing.
6. Put the bottle warmer somewhere children can not reach.
7. It is not suggested to heat for too long or overheat milk and food. Valuable nutrients and vitamins may be lost.
8. Always check temperature before feeding your baby. Gently shake the bottle then sprinkling a few drops on your wrist to check the temperature.
9. Please contact manufacturer for help of any problem. Do not disassemble the product by yourself.
10. Use acetic acid to descale the bottle warmer only. Do not use other types of descalers.
11. Unplug when not using it. Wash it and put into a dry place for storage.
12. It is normal to have plastic odor for the first time use. Keep window open for fresh air.
13. If the power cable is damaged, to avoid danger, it must be replaced by the manufacturer's maintenance department or similar department professionals.
14. This product is easy to appear mild plastic odor after high temperature, is a normal phenomenon, please maintain indoor ventilation.

## Product Specification

Name	Baby Bottle Warmer	Model	AM8398-US
Voltage	120V~	Quantity	1pc
Frequency	60Hz	Place of Origin	China
Power	300W	Warranty Time	1 year
EPA EST NO.	97426-CHN-1		

## WARRANTY CARD

Thank you for purchasing our product. Please keep your receipt as proof of purchase for any warranty claim.  
For warranty claims and supports please call us at +1(818)291-3826, or email us at ncvi\_amz@xenbea.com  
You can also visit our website www.xenbea.com for more information.

Name		Telephone	
Product Name		Model	
Purchasing Date			
Address			

## NOTICE

1. This product comes with 1 YEAR warranty. Please contact the MANUFACTURER for warranty claims.
2. This warranty does not cover defects caused by: misuse, abuse, improper storage/alteration of the product, use of improper components, failure to comply with the operating instructions using the accessories supplied with the product, or normal wear and tear.
3. The user of this product assumes all responsibility and risk for the use of this product.
4. WARNING: No modification of this equipment is allowed.



## Jiangsu Xinbei Electrical Appliances Co., Ltd.

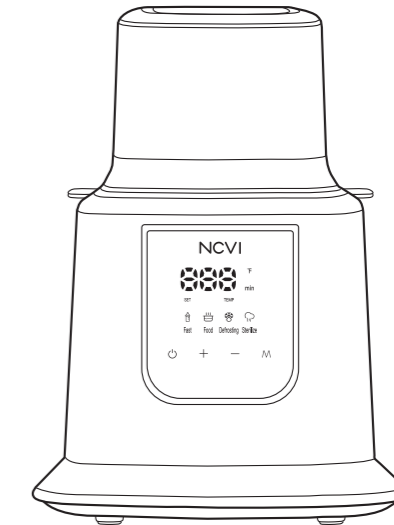
Add: No. 115 Xinjin Road, Xinwu District, Wuxi City, Jiangsu Province, China  
Tel: +1(818)291-3826  
Http://www.xenbea.com  
E-MAIL: ncvi\_amz@xenbea.com  
Please read the manual carefully before use.  
Please store the product where children can not reach.



Version B-2

# NCVI Baby Bottle Warmer

— User Manual —

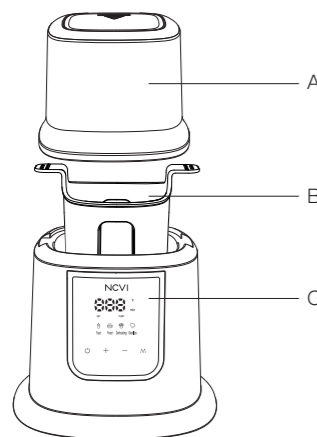


Multi-function · Touch Screen · Anti-dry Burning Design

## Features

1. Multi-function in one. The bottle warmer can be used to thaw food, defrost milk, and sterilize bottles.
2. Precisely temperature control.
3. Anti-dry burning design keep you out of danger.

## Components



Number	Name	Material	Temperature Resistance	Quantity
A	Top Lid	Polypropylene(PP)	-20°C/-4°F~120°C/248°F	1
B	Basket	Polypropylene(PP)	-20°C/-4°F~120°C/248°F	1
C	Bottle Warmer	/	/	1
	The instructions			1

Please contact seller if any part is missing.

## Instruction

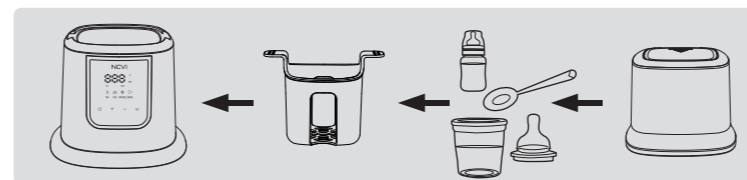


⚠ When the bottle warmer is working, do not touch the base and shell to avoid burning.

The product need to plug in power before use. Unplug after use.

Button	Name	Instruction
⏻	ON/OFF	Press it to turn on the bottle warmer, press again to turn off
M	FUNCTION	Press it to choose functions
+	ADD TIME/TEMP	Short press to add time/temp, long press for quick adding
-	REDUCE TIME/TEMP	Short press to reduce time/temp, long press for quick reducing
👉	FAST	Fast thaw milk at 104°F from 1 to 8 minutes to select
🍲	FOOD	Constant warming from 140°F to 195°F to select
❄️	DEFROSTING	Constant warming from 77°F to 113°F to select
👉	STERILIZE	Sterilizing from 8 to 12 minutes to select

## How to use



Before use, please put the basket into the bottle warmer, then put into milk bottle or food container, then add proper amount of water (up to water level in bottle warmer matches milk level in milk bottle, be careful not to fill up the whole bottle warmer), cover the lid and connect the power on. (see picture above)

### Tips

1. During the working state of all functions, the selected function button light will be on, and the display will show time or temperature (Fast & Sterilize functions only show Time; Food & Defrosting functions only show Temperature).
2. All functions only can be selected in standby state.
3. If there is no other operation within 3 seconds after the function is selected, it will start working.
4. This bottle warmer has smart memory function. The last used function is remembered for next time use.

### Fast

In the standby state, press the "M" button once, the "👉" icon will light up, and "3 min" will be displayed at the same time, start "Fast" function, and automatically shut down after the work is finished. (You can also set the time through the "+" and "-" keys, the adjustable range is 1min to 8min, and the adjustment unit is 1min.)



**Note:** 104°F is the suggested temperature for milk to drink. Valuable nutrients and vitamins may be lost for higher temperature or long-time heating. Always check temperature before feeding your baby.

### Food

In the standby state, press the "M" button twice, the "🍲" icon will light up, and "160°F" will be displayed at the same time, start "Food" function. (You can also set the temperature through the "+" and "-" keys, the adjustable range is 140°F to 195°F, and the adjustment unit is 5°F)



**Note:** 160°F is the suggested temperature to warm food. Valuable nutrients and vitamins may be lost for higher temperature or long-time heating. Always check temperature before feeding your baby.

### Defrosting

In the standby state, press the "M" button three times, the "❄️" icon will light up, and "99°F" will be displayed at the same time, start "Defrosting" function. (You can also set the temperature through the "+" and "-" keys, the adjustable range is 77°F to 113°F, and the adjustment unit is 2°F)



**Note:** 99°F is the suggested temperature to defrosting. Valuable nutrients and vitamins may be lost for higher temperature or long-time heating.

### Sterilize

In the standby state, press the "M" button four times, the "👉" icon will light up, and "8 min" will be displayed at the same time, start "Sterilize" function, and automatically shut down after the work is finished. (You can also set the time through the "+" and "-" keys, the adjustable range is 8min to 12min, and the adjustment unit is 1min.)



**Note:** When the bottle warmer is working, do not touch the base and shell to avoid burning. Unplug the bottle warmer and make sure it cooling down before cleaning.