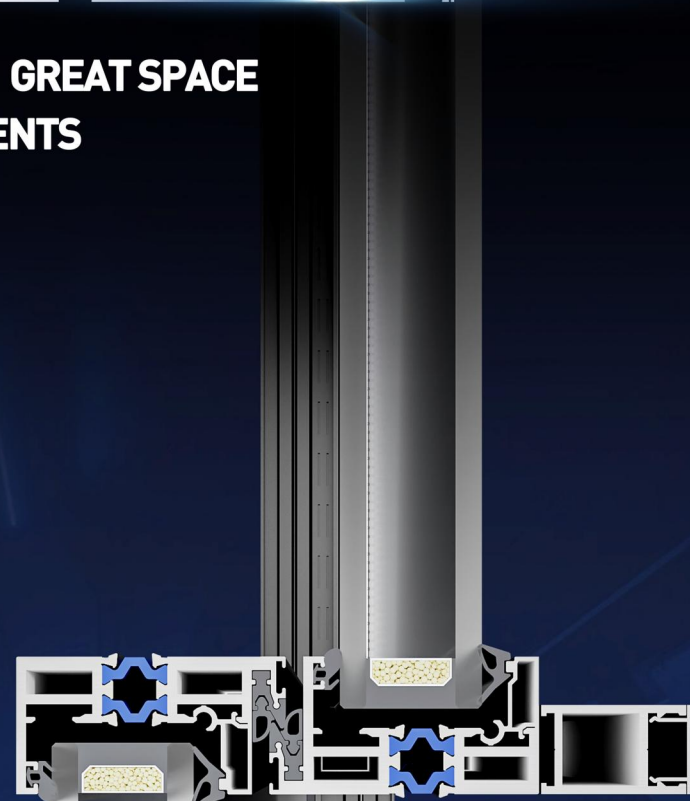


# WAYBOM

FRAME THE COLORFUL WORLD



SPACE MAGICIAN GREAT SPACE  
GREAT ACHIEVEMENTS



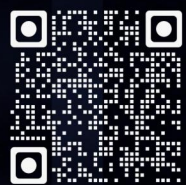
WAYBOM ALUMINUM



86-13066442560

## GET THE LATEST

aluminum profiles and hardware for any project,  
with our superior stock and R&D capabilities.



web



wechat



whatsapp

### Foshan Waybom Technology Co.,Ltd

Office Address: Room 1606, Weiye International Building,  
No.75 Lingnan Road, Nanhai, Foshan, Guangdong, China

Show Room Address: Northeast of Ligang Industrial Zone, Nanhai, Foshan,  
Guangdong (next to Yirui) Waybom Aluminum

+

THE DESIGN  
IS IMPECCABLE

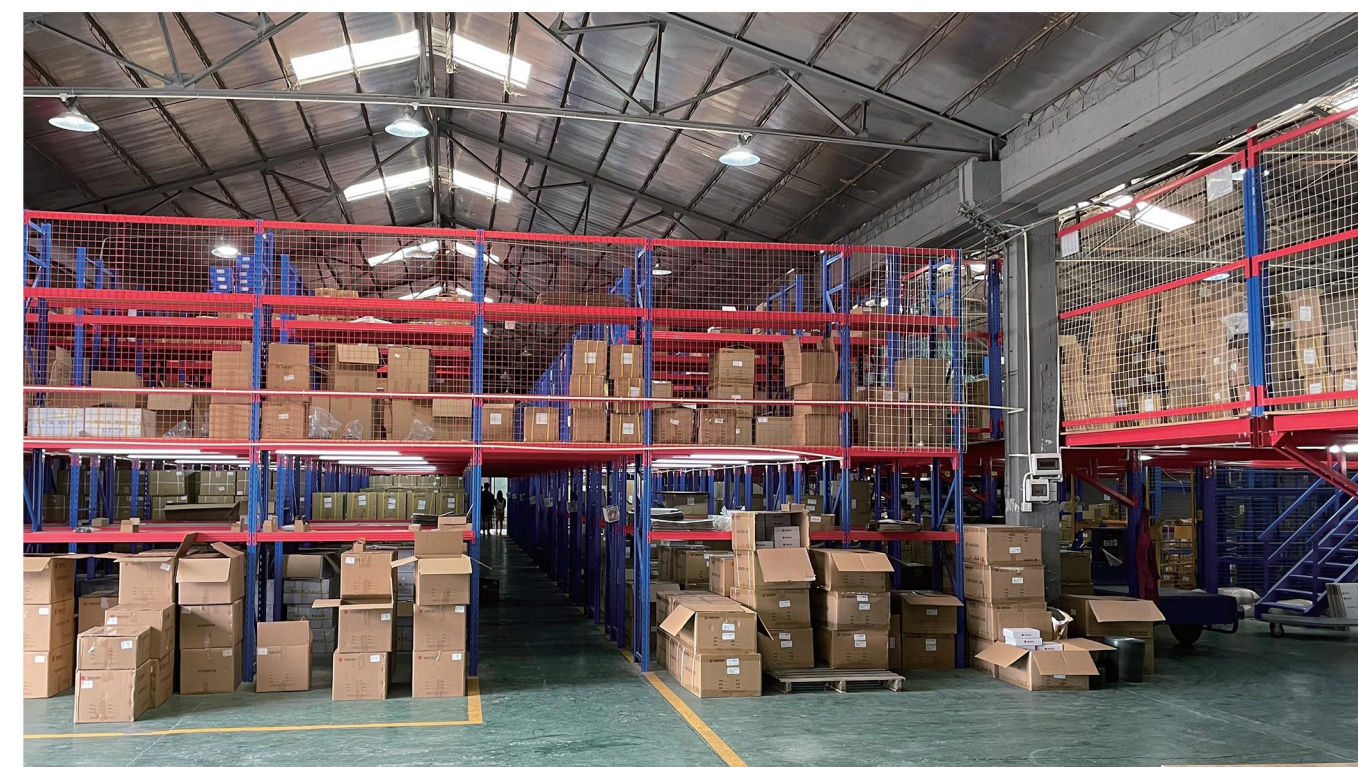
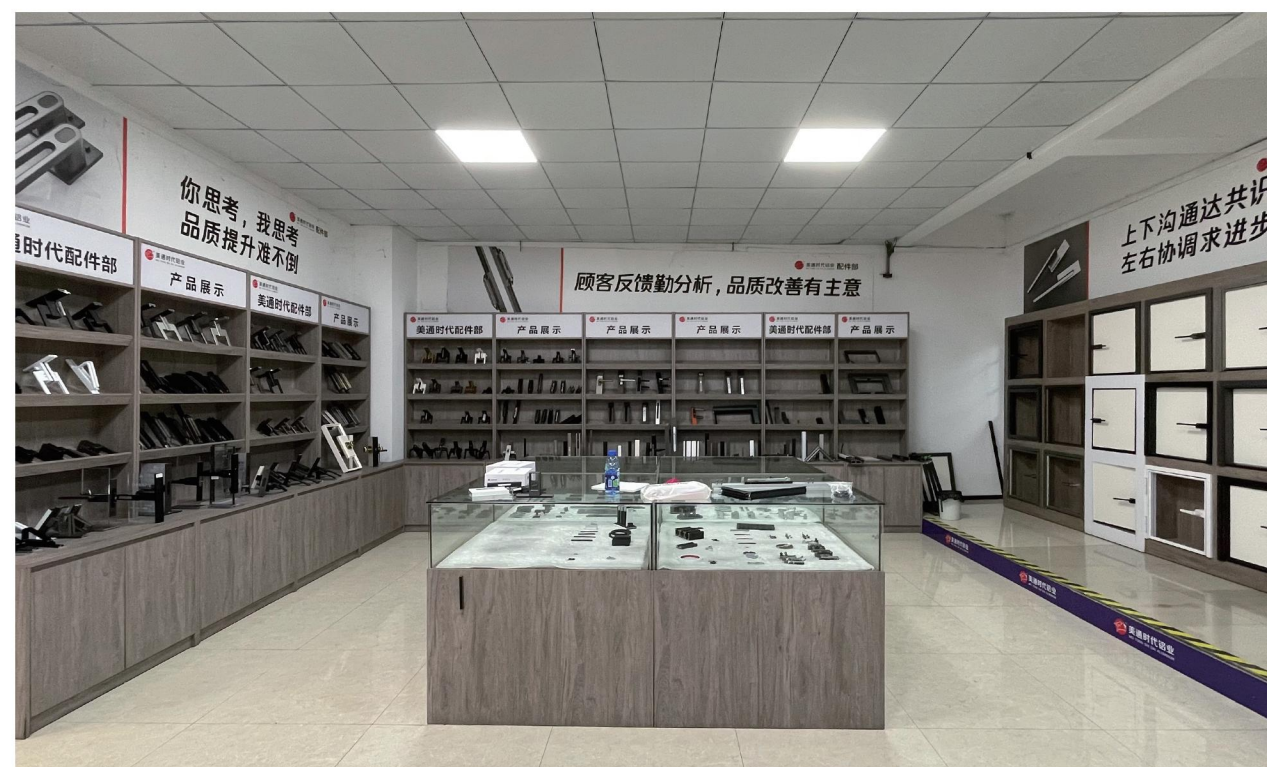


## ACCESSORIES DEPARTMENT

Waybom Aluminum Accessories Division has professional products and unique solutions.

We will always adhere to the honest business philosophy, adhering to the rigorous and scientific working attitude, carry forward the spirit of craftsmanship, and constantly improve the door and window accessories technology, fashion, intelligent, international standards, to create greater value for users.

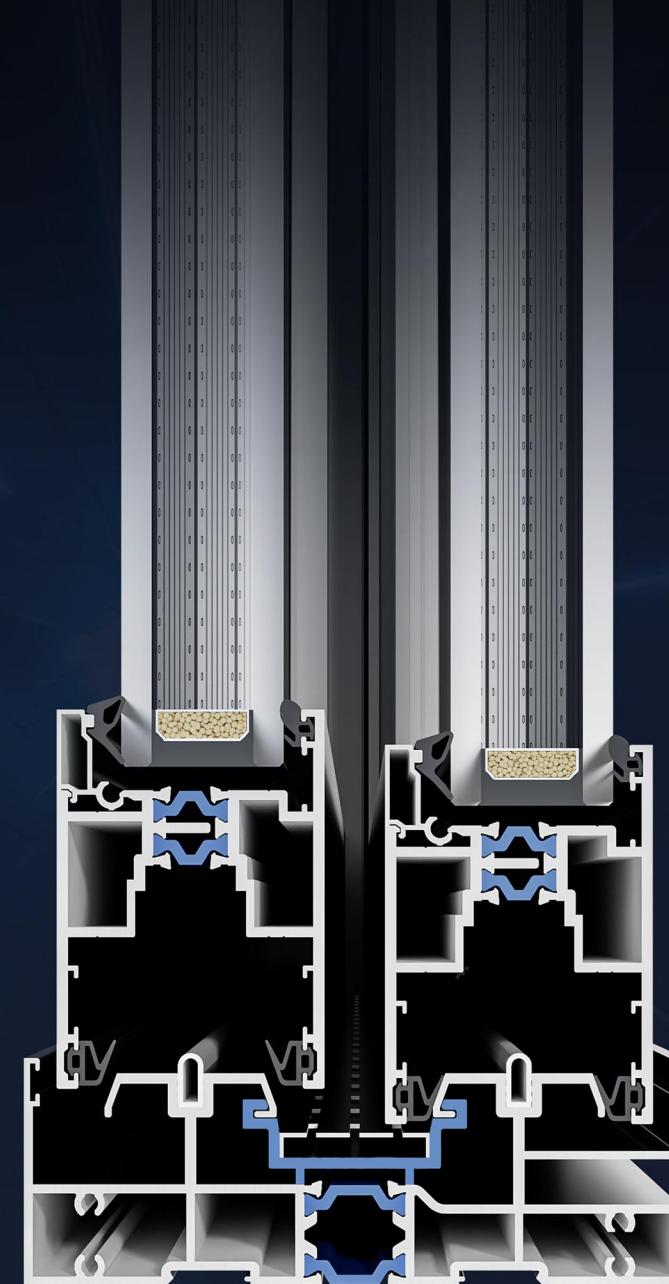
We are willing to work together with home furnishing industry partners at home and abroad to create a better future!





*Thomas Smith*  
产品艺术总监:托马仕·史密斯

Waybom International, a division of Meitong Group, dedicated to providing comprehensive one-stop purchasing solutions for overseas clients.



## ENTERPRISE

### BRIEF INTRODUCTION

Established in 2008, we are a first-line factory with powder coating lines, anodising lines and ten extrusion lines of different aluminium bar diameters, with annual production capacity of over 80,000 tonnes.

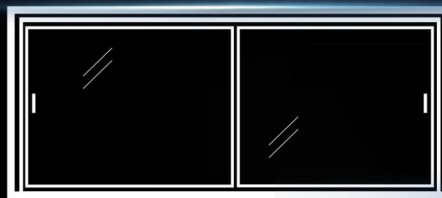
We specialize in producing high-quality aluminum profiles for home decoration, including Slim interior door profiles (opk perfect system, 35 series, 40 series and 45 series), aluminum exterior folding doors (75 series, 120 series, 68 series, 58 series, 50 series), and glass cabinet profiles.

During the last decade of development and growth, Waybom has always adhered to Get the latest aluminum profiles and hardware for any project, with our superior stock and R&D capabilities.

Currently Waybom aluminium has developed foreign business in more than ten countries and regions such as Saudi Arabia, South East Asia and Africa.

# CATALOGUE

SLIDING DOUBLE GLASS DOOR



FOLDING DOOR/WINDOW



UPPER FOLDING WINDOW



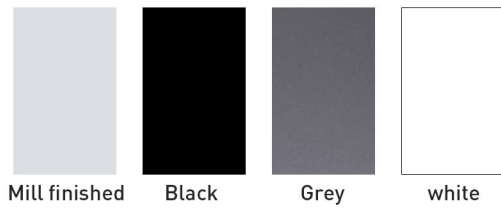
PANORAMIC LIFTING  
SLIDING WINDOW



68 Pro Fully Sealed Folding Door Series	<b>01-04</b>
58 Pro Fully Sealed Folding Door Series (Non-thermal break)	<b>05-08</b>
58 Pro Fully Sealed Folding Door Series (thermal break)	<b>09-12</b>
120 Anti-pinch concealed large folding door series	<b>13-16</b>
80 Anti-pinch concealed large folding door series (Non-thermal break))	<b>17-20</b>
80 Anti-pinch concealed large folding door series (thermal break)	<b>21-24</b>
68 Anti-pinch concealed large folding door series (Non-thermal break)	<b>25-28</b>
68 Anti-pinch concealed large folding door series (thermal break)	<b>29-32</b>
50 Anti-pinch concealed folding door / folding window series	<b>33-36</b>
75 Large folding door series (Non-thermal break/thermal break)	<b>37-40</b>
75 Narrow folding door series (Non-thermal break/thermal break)	<b>41-44</b>
75 Split folding door series (Non-thermal break/thermal break)	<b>45-49</b>
62 Lrge folding door series	<b>50-52</b>
70 Large folding door series	<b>53-56</b>
45/50/60 top-folding window series	<b>57-60</b>
ZP 150 Patented Lifting Balcony Window Series	<b>61-66</b>
ZP 120 Patented Lifting Balcony Window Series	<b>67-70</b>
90 Lift Window Series	<b>71-74</b>
Hidden under rail panoramic sliding door	<b>75-78</b>
200 Broken bridge panoramic sliding door	<b>79-82</b>
125 Series panoramic sliding doors	<b>83-86</b>
120 Narrow on Narrow Thermal break Casement Window 20 Side Mounted Locks	<b>87-89</b>
135 Full Hidden Extremely Narrow Landscape Sliding Window (Triple/Six Track)	<b>90-94</b>
130+195 Heavy duty door with thermal break lifting	<b>95-100</b>



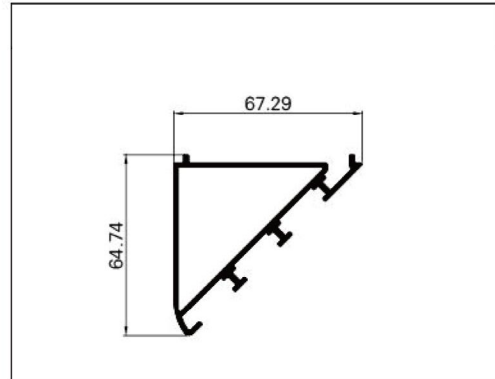
68PRO FULLYSEALED FOLDING DOOR SERIES SPOT COLOR:



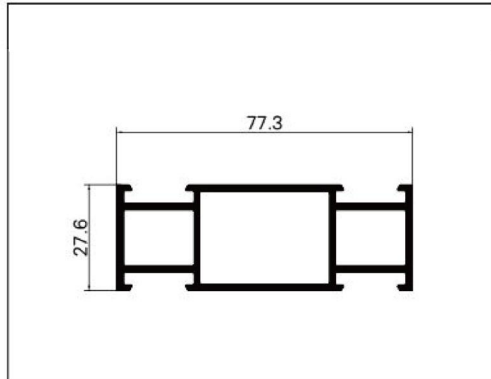
HARDWARE ACCESSORIES

- |  |                          |                          |
|--|--------------------------|--------------------------|
| 1. door frame connector: 13.3X18.4 High All-in-One connector V | 4. EP2466F rubber strips | 7. EP2528F rubber strips |
| 2. Stainless steel rail: 68 open P-rail                        | 5. EP2507F rubber strips |                          |
| 3. EP1478B rubber strips                                       | 6. EP2467F rubber strips |                          |

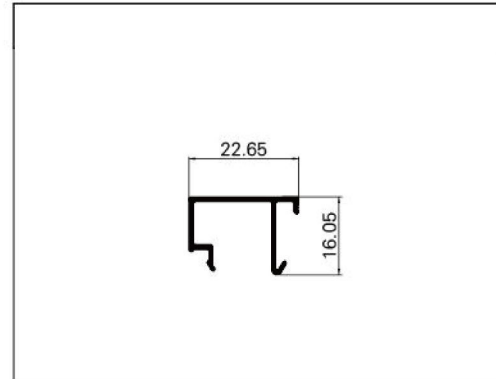
<p>Number: JY-68PRO-01 Name: side frame Wall Thickness: 2.2mm Weight: 1.842kg/m Length: 6.0m</p>	<p>Number: JY-68PRO-02 Name: Big Center column Wall Thickness: 2.2mm Weight: 2.185kg/m Length: 6.0m</p>	<p>Number: JY-68PRO-03 Name: Small Center column Wall Thickness: 2.2mm Weight: 2.044kg/m Length: 6.0m</p>
<p>Number: JY-68PRO-04 Name: door frame Wall Thickness: 2.2mm Weight: 1.477kg/m Length: 6.0m</p>	<p>Number: JY-68PRO-05 Name: door frame collision cover Wall Thickness: 1.8mm Weight: 1.529kg/m Length: 6.0m</p>	<p>Number: JY-68PRO-06 Name: side frame accessories Wall Thickness: 1.5mm Weight: 0.693kg/m Length: 6.0m</p>
<p>Number: JY-68PRO-07 Name: side frame collision cover Wall Thickness: 2.0mm Weight: 0.971kg/m Length: 6.0m</p>	<p>Number: JY-68PRO-08 Name: Small Center column collision cover Wall Thickness: 1.8mm Weight: 0.511kg/m Length: 6.0m</p>	<p>Number: JY-68PRO-10 Name: Top track Wall Thickness: 3.5mm Weight: 3.041kg/m Length: 6.0m</p>
<p>Number: JY-68PRO-11 Name: big bottom rail Wall Thickness: 2.0mm Weight: 1.474kg/m Length: 6.0m</p>	<p>Number: JY-68PRO-12 Name: small bottom rail Wall Thickness: 2.0mm Weight: 0.941kg/m Length: 6.0m</p>	<p>Number: JY-68PRO-13 Name: upper and lower brackets accessories Wall Thickness: 1.5mm Weight: 0.157kg/m Length: 6.0m</p>



Number:YC-68-13	
Name: 45 degrees converter profile	Wall Thickness: 1.5mm
Weight: 1.118kg/m	Length: 6.0m

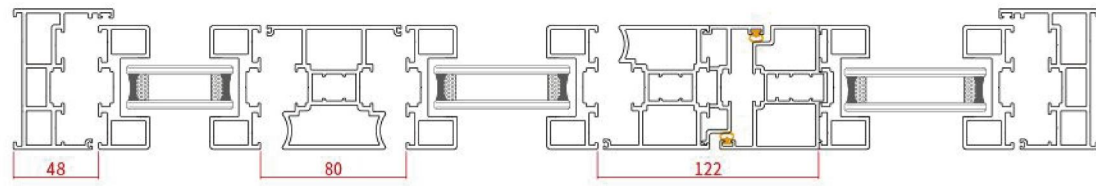


Number:YC-68-20	
Name: With window centre column	Wall Thickness: 1.8mm
Weight: 1.254kg/m	Length: 6.0m

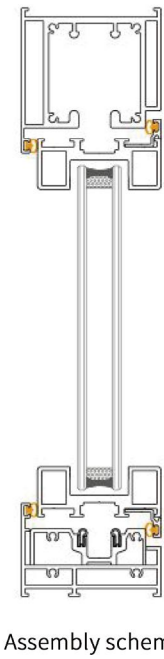
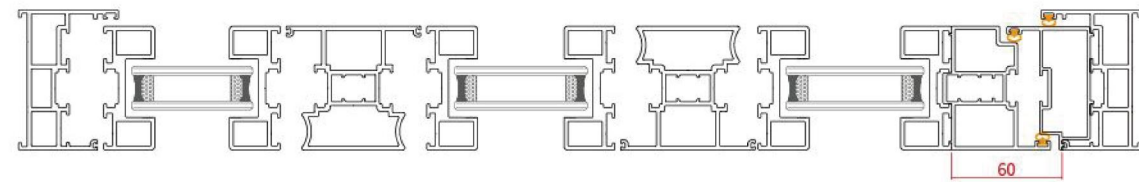


Number:YC-68-21	
Name: burclose With windows	Wall Thickness: 1.0mm
Weight: 0.157kg/m	Length: 6.0m

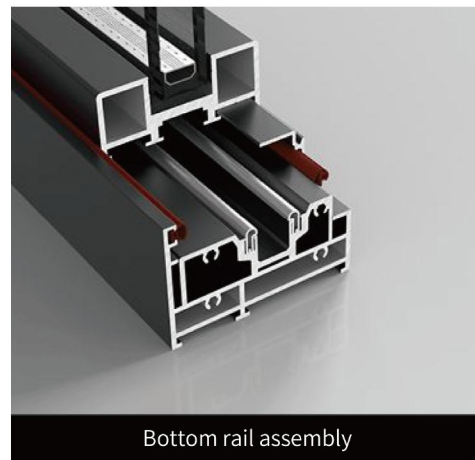
321 Folding door assembly drawing



330 Folding door assembly drawing



Assembly scheme



Bottom rail assembly

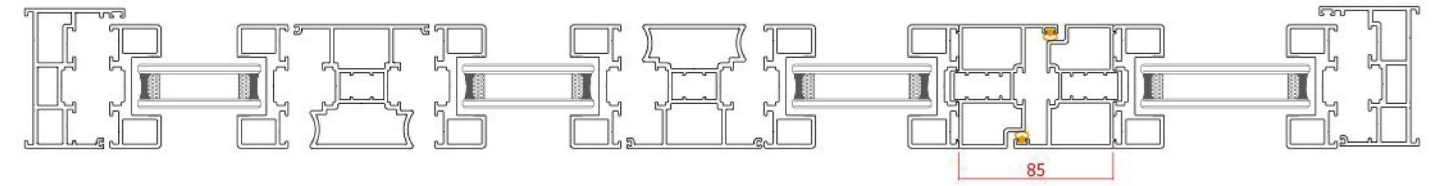


321 collision cover assembly

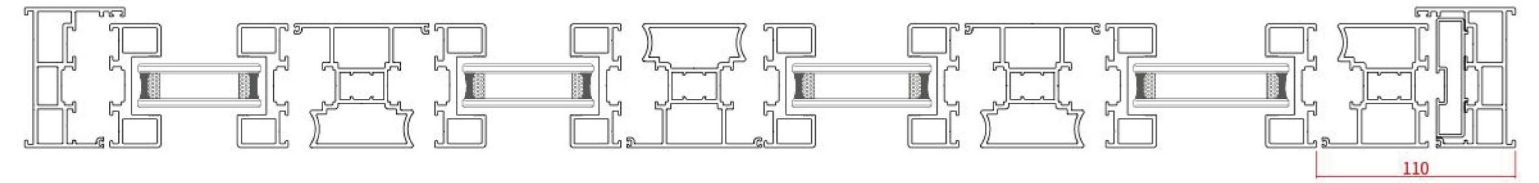


330 collision cover assembly

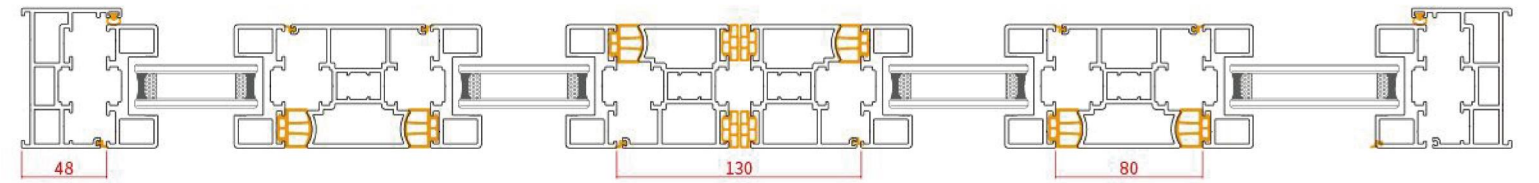
431 Folding door assembly drawing



440 Folding door assembly drawing



422 Folding door assembly drawing



431 collision cover assembly



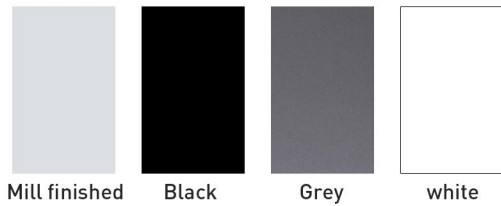
440 collision cover assembly



422 collision cover assembly

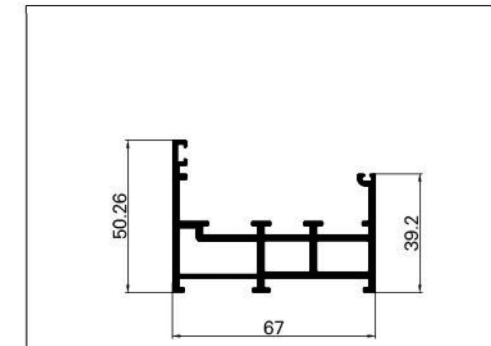


58PRO FULLY SEALED FOLDING DOOR (NON-THERMAL BREAK) SERIES SPOT COLOR:

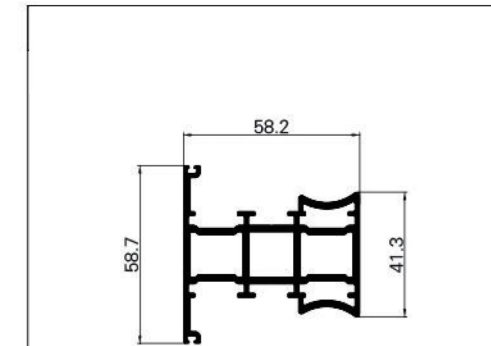


HARDWARE ACCESSORIES

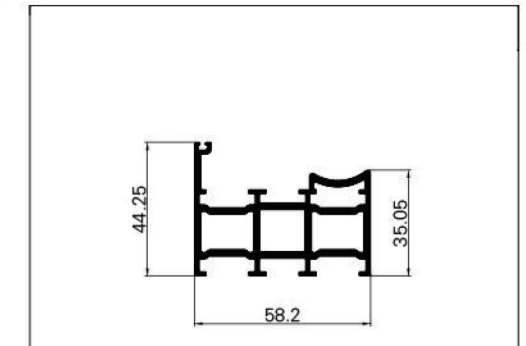
- |  |                          |                          |
|--|--------------------------|--------------------------|
| 1. door frame connector: 11.3X14.3 High All-in-One connector V | 4. EP2466F rubber strips | 7. EP2529F rubber strips |
| 2. Stainless steel rail: 68 open P-rail                        | 5. EP2507F rubber strips |                          |
| 3. EP1478B rubber strips                                       | 6. EP2467F rubber strips |                          |



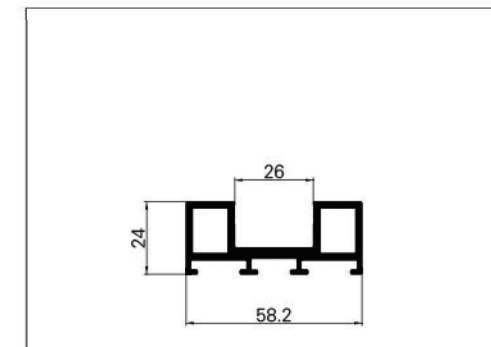
Number: JY-58PRO-01	
Name: side frame	Wall Thickness: 2.2mm
Weight: 1.623kg/m	Length: 6.0m



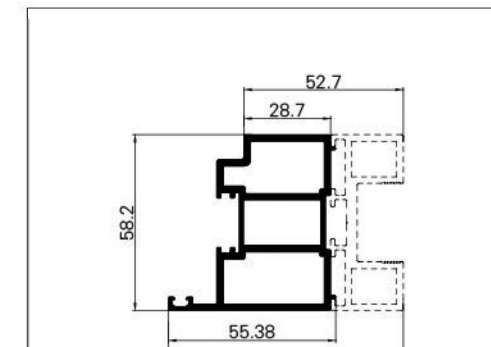
Number: JY-58PRO-02	
Name: Big Center column	Wall Thickness: 2.2mm
Weight: 1.844kg/m	Length: 6.0m



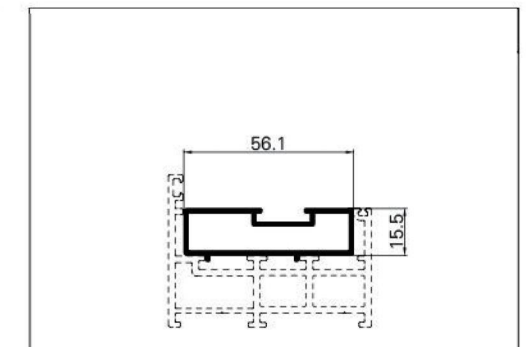
Number: JY-58PRO-03	
Name: Small Center column	Wall Thickness: 2.2mm
Weight: 1.535kg/m	Length: 6.0m



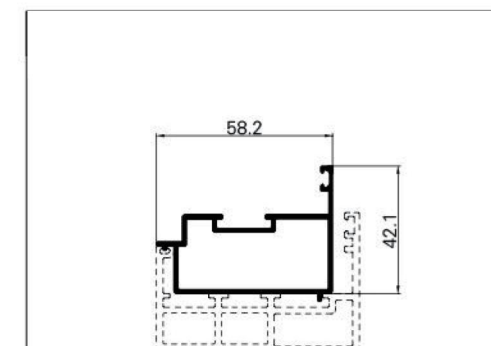
Number: JY-58PRO-04	
Name: door frame	Wall Thickness: 2.2mm
Weight: 1.129kg/m	Length: 6.0m



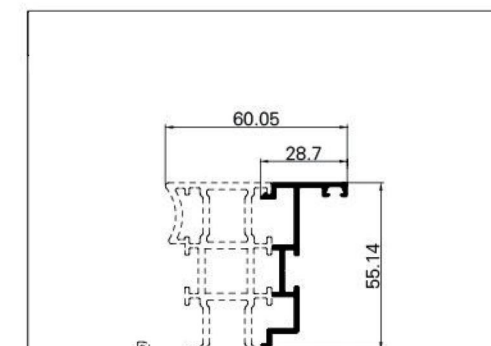
Number: JY-58PRO-05	
Name: door frame collision cover	Wall Thickness: 2.2mm
Weight: 1.571kg/m	Length: 6.0m



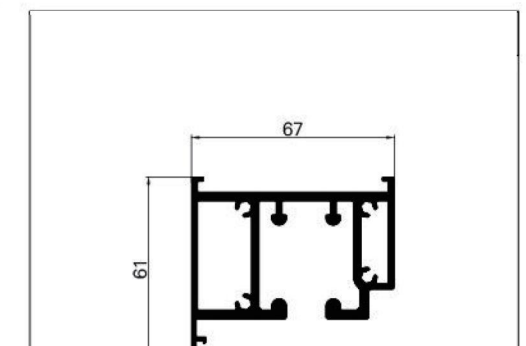
Number: JY-58PRO-06	
Name: side frame accessories	Wall Thickness: 1.5mm
Weight: 0.609kg/m	Length: 6.0m



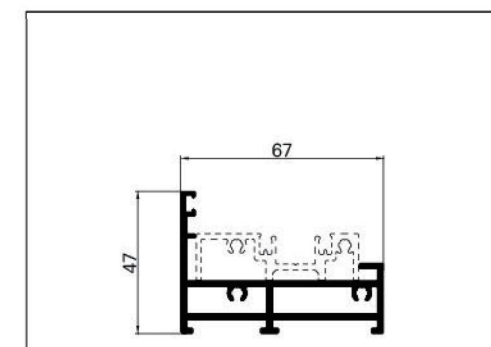
Number: JY-58PRO-07	
Name: side frame collision cover	Wall Thickness: 1.5mm
Weight: 0.745kg/m	Length: 6.0m



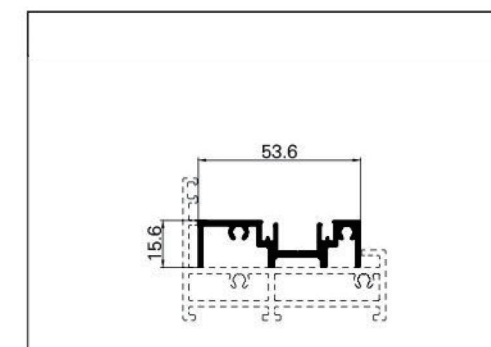
Number: JY-58PRO-08	
Name: Small Center column collision cover	Wall Thickness: 1.5mm
Weight: 0.485kg/m	Length: 6.0m



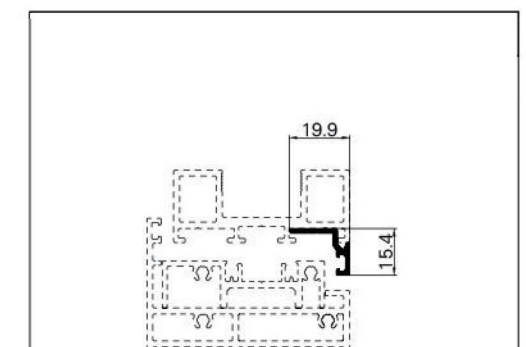
Number: JY-58PRO-10	
Name: Top track	Wall Thickness: 3.0mm
Weight: 2.300kg/m	Length: 6.0m



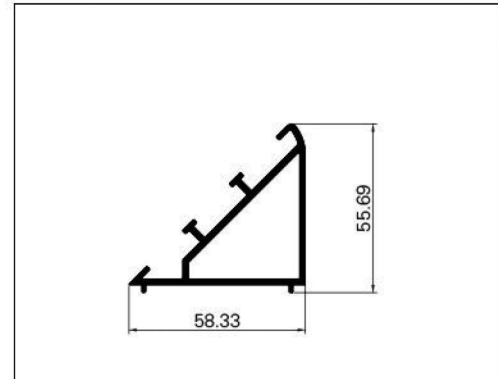
Number: JY-58PRO-11	
Name: big bottom rail	Wall Thickness: 2.0mm
Weight: 1.318kg/m	Length: 6.0m



Number: JY-58PRO-15	
Name: small bottom rail	Wall Thickness: 1.6mm
Weight: 0.000kg/m	Length: 6.0m

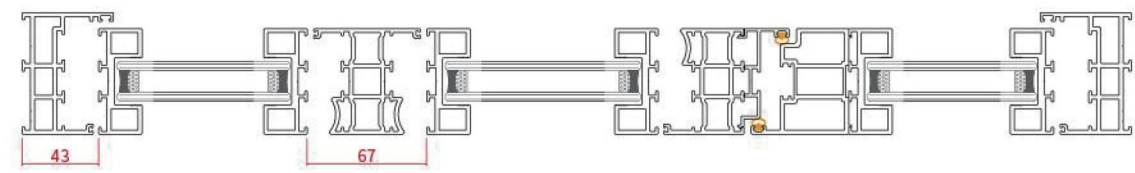


Number: JY-58PRO-13	
Name: upper and lower brackets accessories	Wall Thickness: 1.5mm
Weight: 0.157kg/m	Length: 6.0m

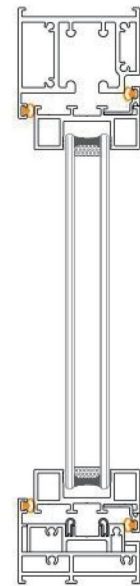
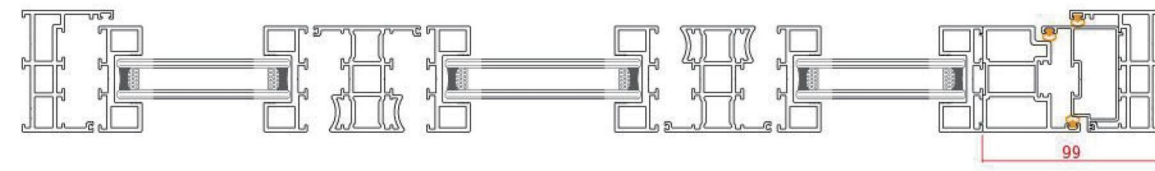


Number: JY-58PRO-14	
Name: 45 degrees converter profile	Wall Thickness: 2.0mm
Weight: 1.088kg/m	Length: 6.0m

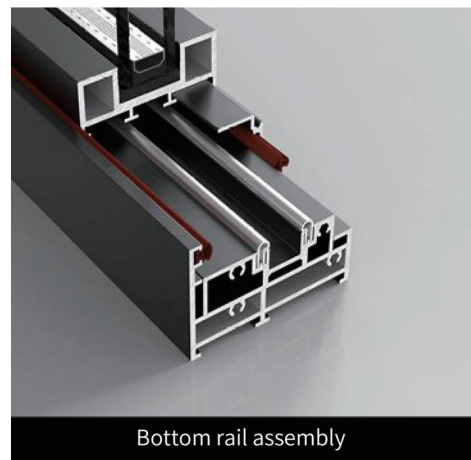
321 Folding door assembly drawing



330 Folding door assembly drawing



Assembly scheme



Bottom rail assembly

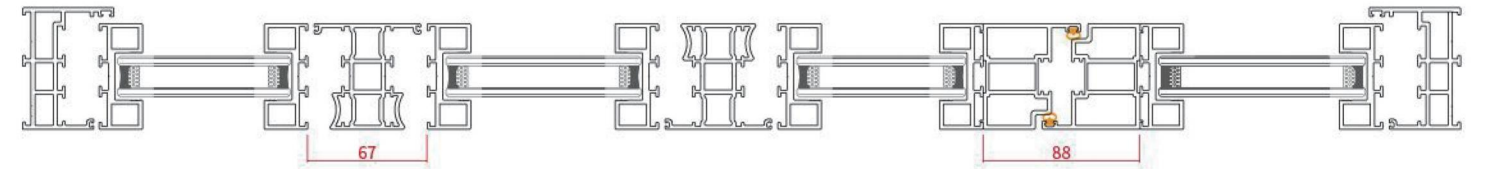


321 collision cover assembly

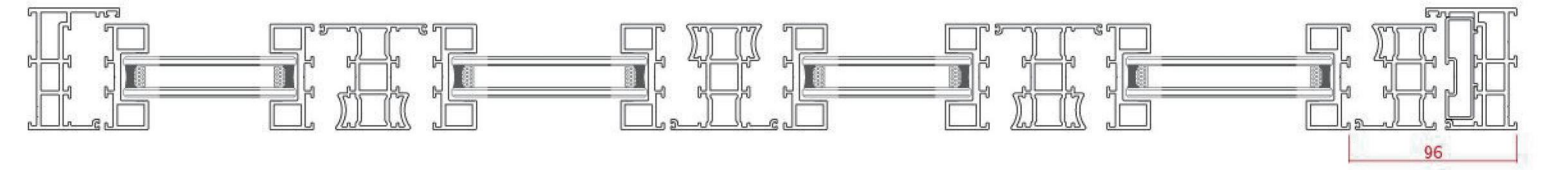


330 collision cover assembly

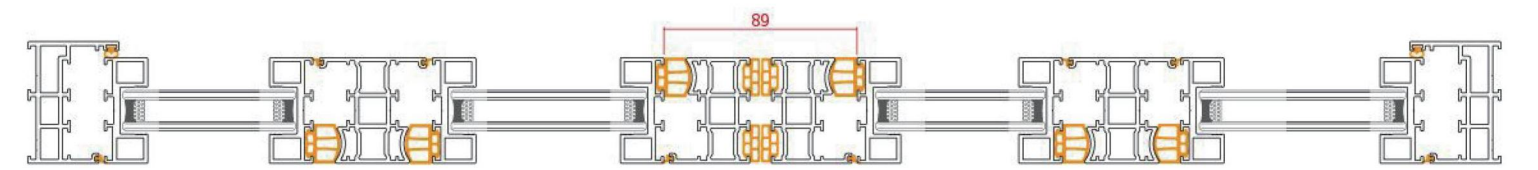
431 Folding door assembly drawing



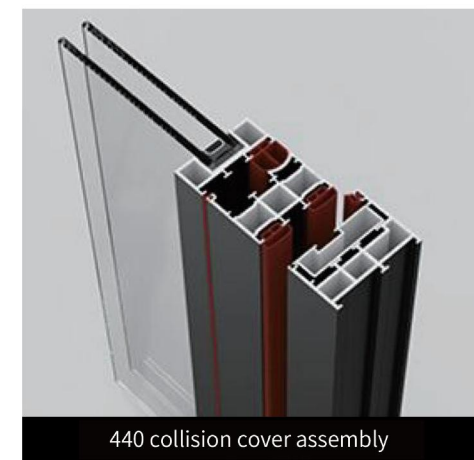
440 Folding door assembly drawing



422 Folding door assembly drawing



431 collision cover assembly



440 collision cover assembly

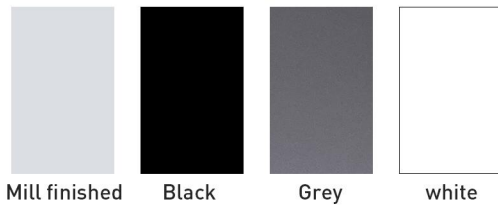


422 collision cover assembly





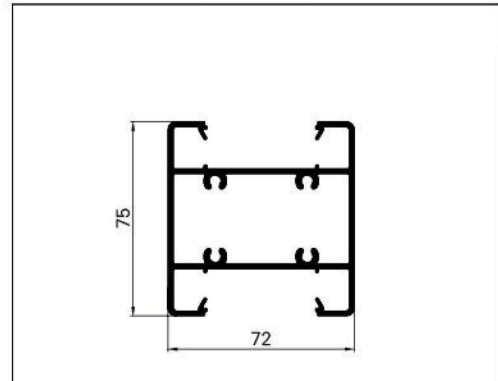
58PRO FULLY SEALED FOLDING DOOR (THERMAL BREAK) SERIES SPOT COLOR:



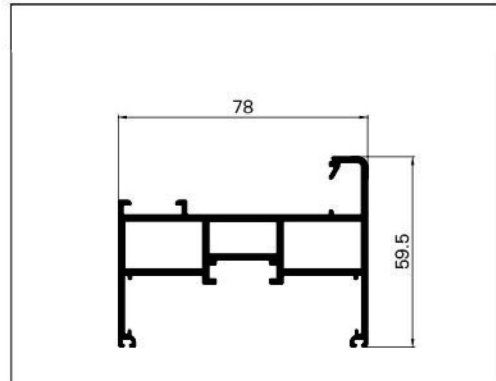
HARDWARE ACCESSORIES

- |  |                          |                          |
|--|--------------------------|--------------------------|
| 1. door frame connector: 11.3X14.3 High All-in-One connector V | 4. EP2466F rubber strips | 7. EP2529F rubber strips |
| 2. Stainless steel rail: 68 open P-rail                        | 5. EP2507F rubber strips |                          |
| 3. EP1478B rubber strips                                       | 6. EP2467F rubber strips |                          |

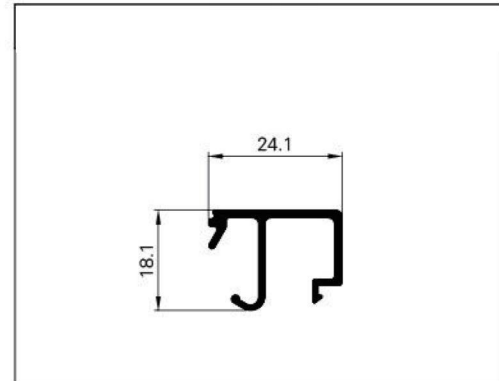
<p>Name:side frame</p> <p>Model: JY-58DQ-22 Wall Thickness: 2.2mm Weight: 0.959kg/m Length: 6.0m</p> <p>Model: JY-58DQ-21 Wall Thickness: 2.2mm Weight: 0.689kg/m Length: 6.0m</p>	<p>Name:Big Center column</p> <p>Model: JY-58DQ-01 Wall Thickness: 2.2mm Weight: 0.584kg/m Length: 6.0m</p> <p>Model: JY-58DQ-02 Wall Thickness: 2.2mm Weight: 1.183kg/m Length: 6.0m</p>
<p>Name:Small Center column</p> <p>Model: JY-58DQ-07 Wall Thickness: 2.2mm Weight: 1.117kg/m Length: 6.0m</p> <p>Model: JY-58DQ-08 Wall Thickness: 2.2mm Weight: 0.478kg/m Length: 6.0m</p>	<p>Name:Separate Overlap door frame</p> <p>Model: JY-58DQ-03 Wall Thickness: 2.2mm Weight: 0.566kg/m Length: 6.0m</p>
<p>Name:All in one Overlap door frame</p> <p>Model: JY-58DQ-03 Wall Thickness: 2.2mm Weight: 0.566kg/m Length: 6.0m</p> <p>Model: JY-58DQ-27 Wall Thickness: 2.2mm Weight: 0.642kg/m Length: 6.0m</p>	<p>Name:door frame collision cover</p> <p>Model: JY-58DQ-23 Wall Thickness: 2.2mm Weight: 0.879kg/m Length: 6.0m</p> <p>Model: JY-58DQ-24 Wall Thickness: 2.2mm Weight: 0.765kg/m Length: 6.0m</p>
<p>Name:side frame accessories</p> <p>Model: JY-58DQ-09 Wall Thickness: 1.5mm Weight: 0.491kg/m Length: 6.0m</p> <p>Model: JY-58DQ-06 Wall Thickness: 1.5mm Weight: 0.216kg/m Length: 6.0m</p>	<p>Name:side frame collision cover</p> <p>Model: JY-58DQ-29 Wall Thickness: 1.5mm Weight: 0.603kg/m Length: 6.0m</p> <p>Model: JY-58DQ-28 Wall Thickness: 1.5mm Weight: 0.357kg/m Length: 6.0m</p>



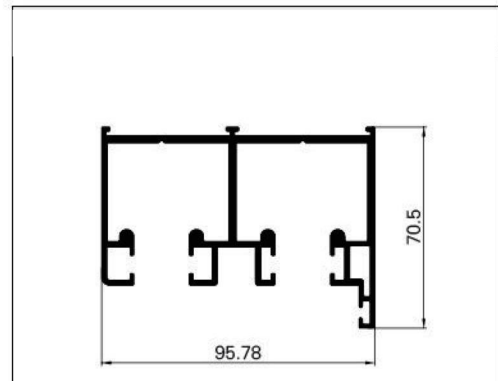
Number: JY-80-17	
Name: door frame Middle cross	Wall Thickness: 2.0mm
Weight: 2.231kg/m	Length: 6.0m



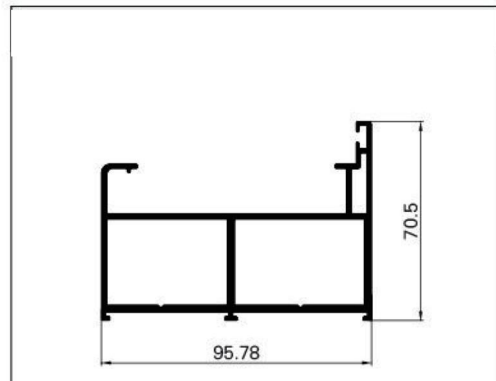
Number: JY-80-08	
Name: Line of pressure door frame	Wall Thickness: 2.0mm
Weight: 1.749kg/m	Length: 6.0m



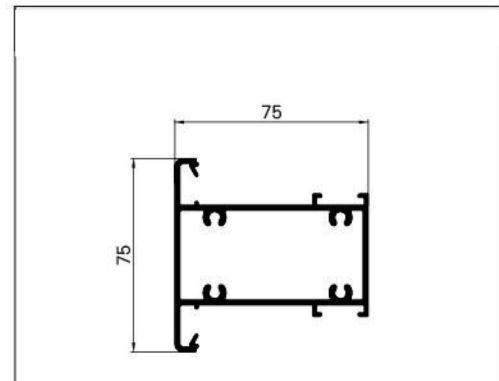
Number: JY-80-09	
Name: door frame Line of pressure	Wall Thickness: 1.4mm
Weight: 0.255kg/m	Length: 6.0m



Number: JY-80-14	
Name: Double-rail upper slide	Wall Thickness: 2.0mm
Weight: 2.664kg/m	Length: 6.0m

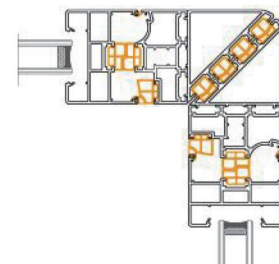
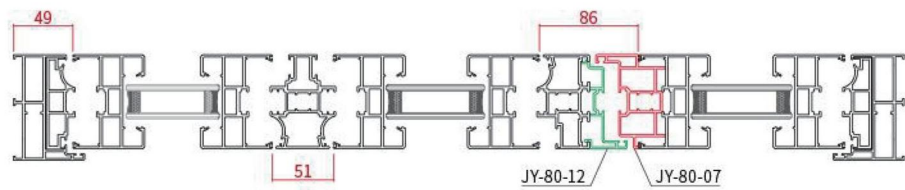


Number: JY-80-15	
Name: Double-rail outer frame	Wall Thickness: 2.0mm
Weight: 2.273kg/m	Length: 6.0m

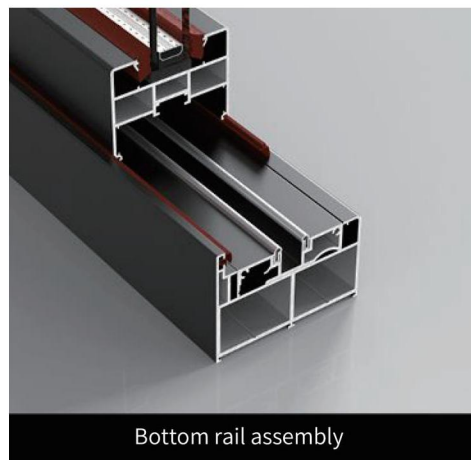


Number: JY-80-16	
Name: door profile Line of pressure middle cross	Wall Thickness: 2.0mm
Weight: 1.936kg/m	Length: 6.0m

321 Folding door assembly drawing



90° Angle assembly solution



Bottom rail assembly

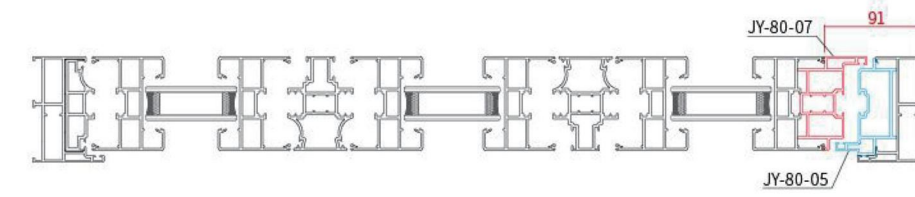


321 collision cover assembly

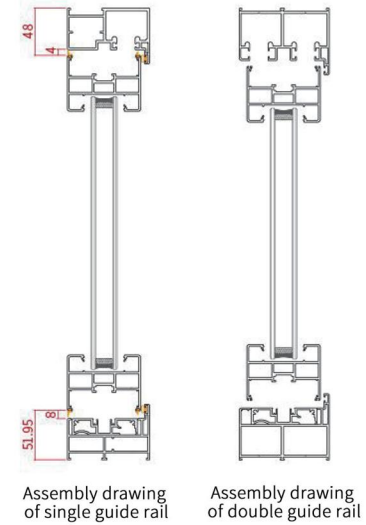
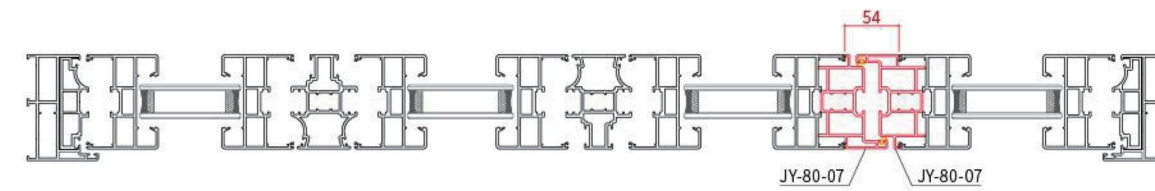


330 collision cover assembly

330 Folding door assembly drawing

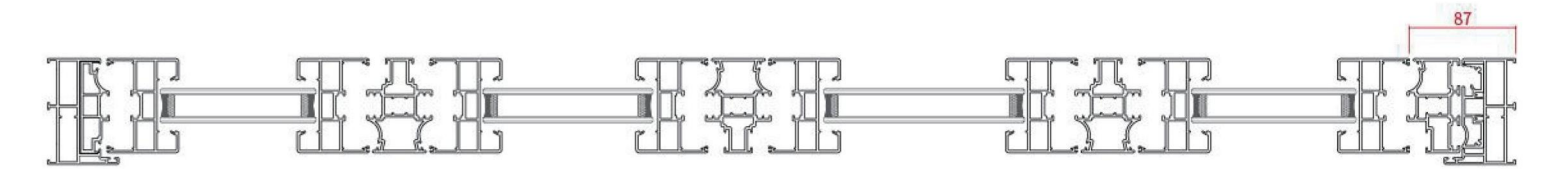


431 Folding door assembly drawing

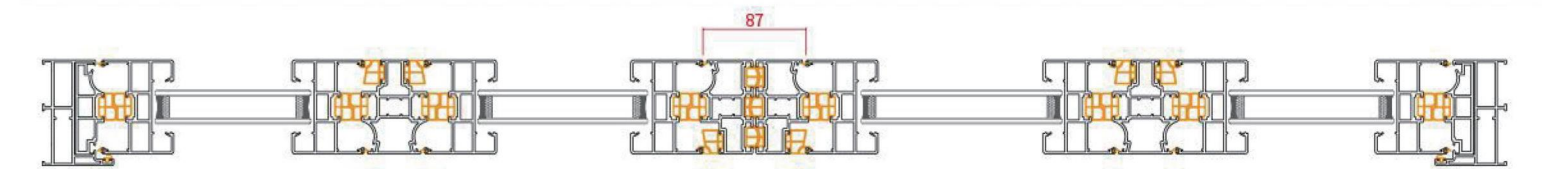


Assembly drawing of single guide rail  
Assembly drawing of double guide rail

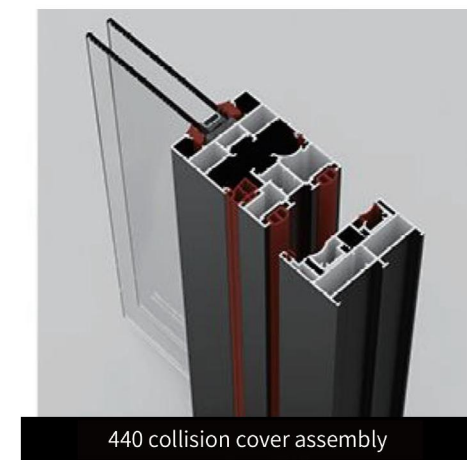
440 Folding door assembly drawing



422 Folding door assembly drawing



431 collision cover assembly



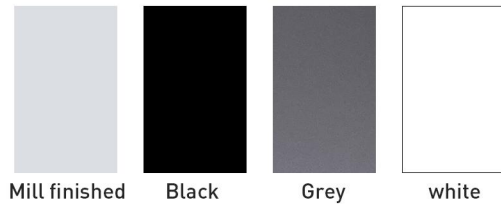
440 collision cover assembly



422 collision cover assembly

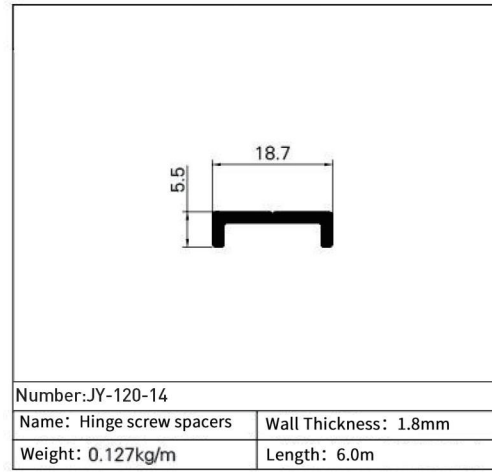
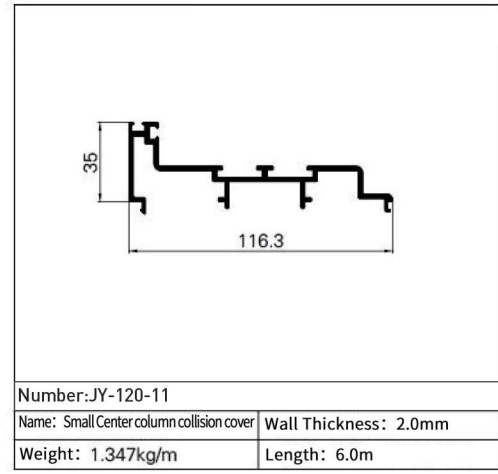


120ANTIPINCH CONCEALED LARGE FOLDING DOOR SERIES SPOT COLOR:

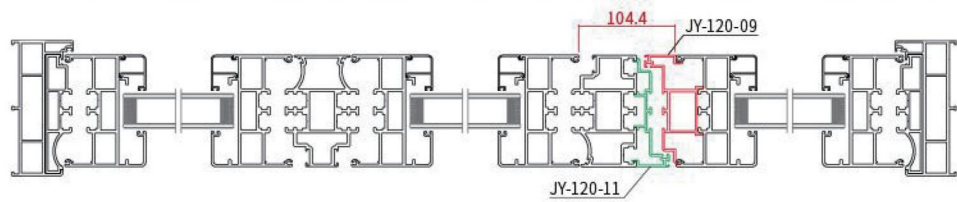


Mill finished Black Grey white

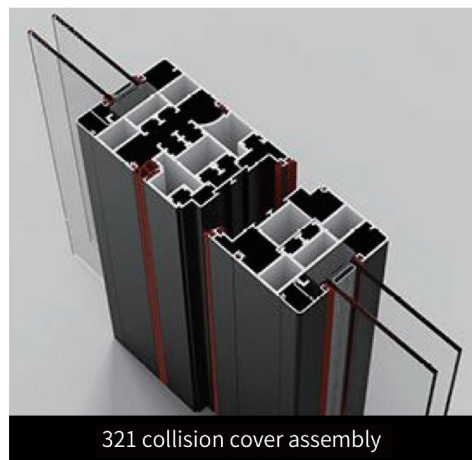
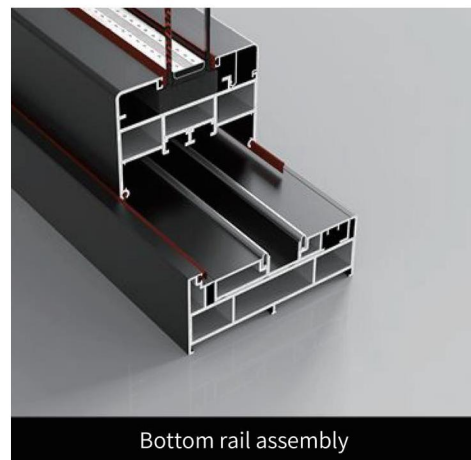
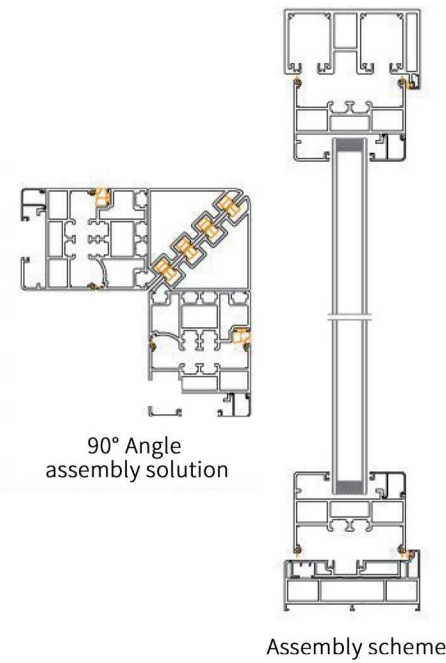
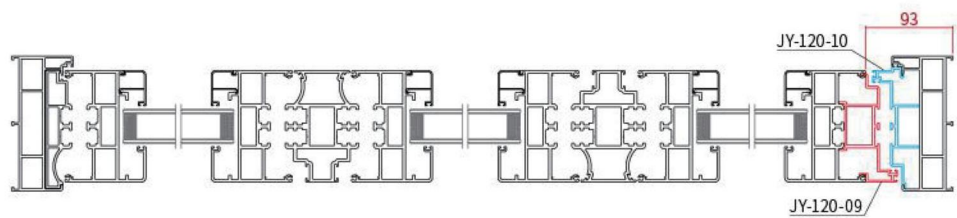
<p>Number:JY-120-01 Name: Top track Wall Thickness: 4.0mm Weight: 6.582kg/m Length: 6.0m</p>	<p>Number:JY-120-02 Name: side frame Wall Thickness: 3.0mm Weight: 3.715kg/m Length: 6.0m</p>	<p>Number:JY-120-03 Name: Bottom rail Wall Thickness: 2.0mm Weight: 1.841kg/m Length: 6.0m</p>
<p>Number:JY-120-04 Name: small side frame Wall Thickness: 2.4mm Weight: 2.514kg/m Length: 6.0m</p>	<p>Number:JY-120-05 Name: door frame Wall Thickness: 3.0mm Weight: 4.303kg/m Length: 6.0m</p>	<p>Number:JY-120-06 Name: door frame Line of pressure Wall Thickness: 1.5mm Weight: 0.404kg/m Length: 6.0m</p>
<p>Number:JY-120-07 Name: Big Center column Wall Thickness: 3.0mm Weight: 5.163kg/m Length: 6.0m</p>	<p>Number:JY-120-08 Name: Small Center column Wall Thickness: 3.0mm Weight: 5.143kg/m Length: 6.0m</p>	<p>Number:JY-120-10 Name: door frame collision cover Wall Thickness: 2.0mm Weight: 2.017kg/m Length: 6.0m</p>
<p>Number:JY-120-11 Name: side frame collision cover Wall Thickness: 2.0mm Weight: 1.652kg/m Length: 6.0m</p>	<p>Number:JY-120-12 Name: 45 degrees converter Wall Thickness: 3.0mm Weight: 3.951kg/m Length: 6.0m</p>	<p>Number:JY-120-13 Name: door frame Middle cross Wall Thickness: 3.0mm Weight: 4.244kg/m Length: 6.0m</p>



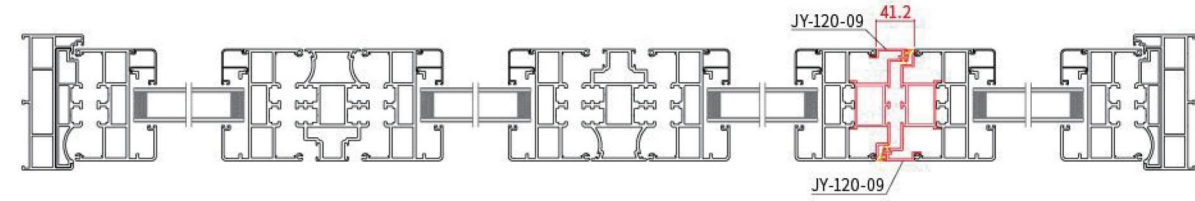
321 Folding door assembly drawing



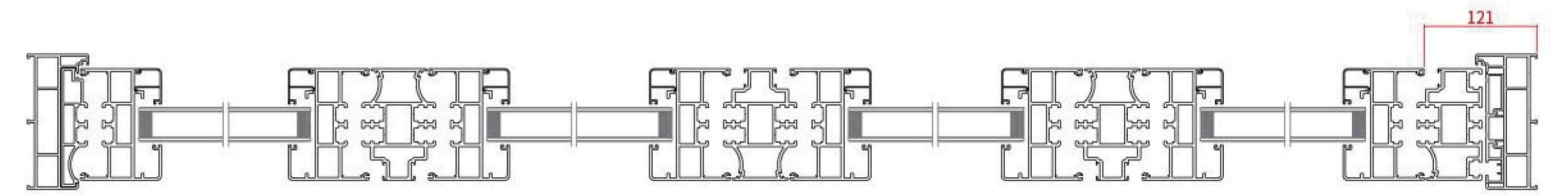
330 Folding door assembly drawing



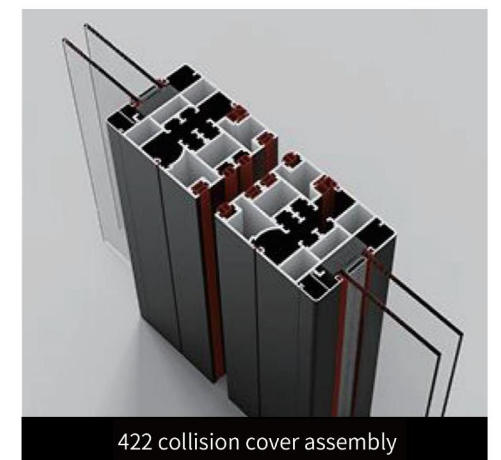
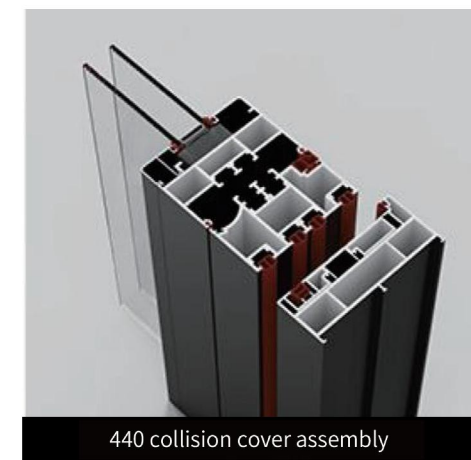
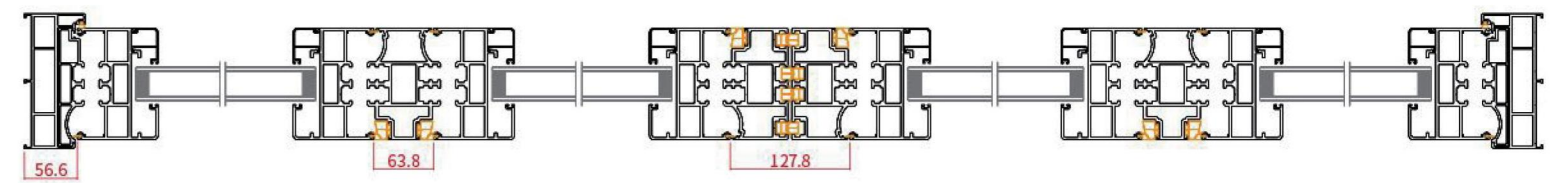
431 Folding door assembly drawing



440 Folding door assembly drawing

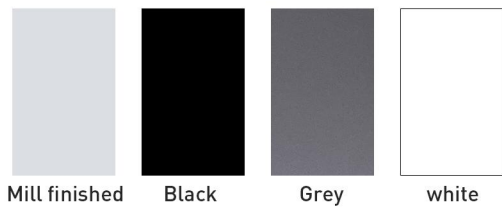


422 Folding door assembly drawing





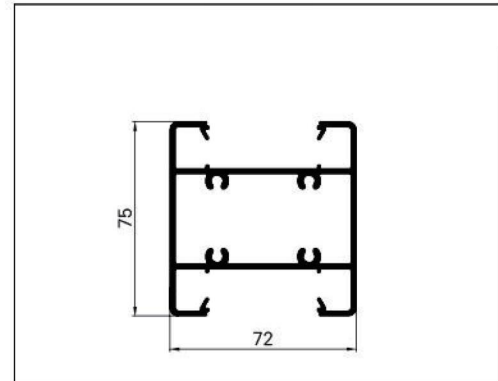
80ANT-PINCH CONCEALED LARGE FOLDING DOOR (NON-THERMAL BREAK) SERIES SPOT COLOR:



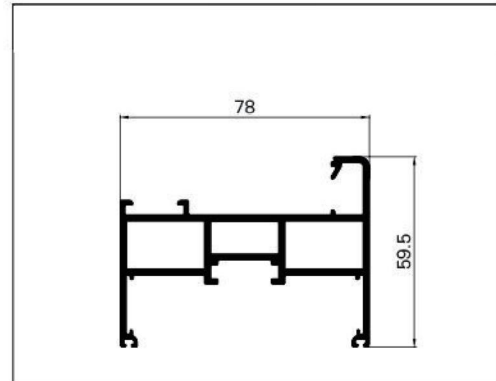
**HARDWARE ACCESSORIES**

1. door frame connector: 24X14.6 High All-in-One connector V
2. door frame combined: 17.8X1.0X1.2 Stainless steel corner pieces
3. Side frame connector: 36X14.6 High All-in-One connector V
4. Stainless steel rail: 68 open P-rail

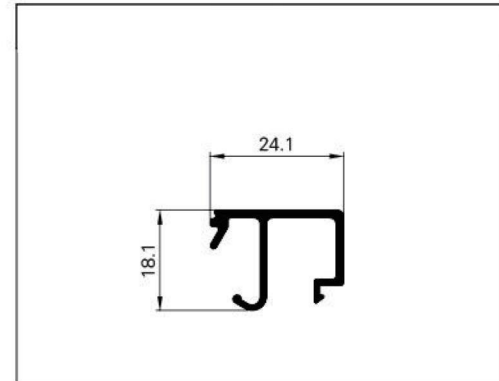
<p>Number:JY-80-01 Name: Top track      Wall Thickness: 2.5mm Weight: 2.144kg/m      Length: 6.0m</p>	<p>Number:JY-80-02 Name: side frame      Wall Thickness: 2.0mm Weight: 1.769kg/m      Length: 6.0m</p>	<p>Number:JY-80-03 Name: Bottom rail      Wall Thickness: 2.0mm Weight: 0.991kg/m      Length: 6.0m</p>
<p>Number:JY-80-04 Name: small side frame      Wall Thickness: 2.5mm Weight: 1.233kg/m      Length: 6.0m</p>	<p>Number:JY-80-06 Name: door frame      Wall Thickness: 2.0mm Weight: 1.958kg/m      Length: 6.0m</p>	<p>Number:JY-80-10 Name: door frame Line of pressure      Wall Thickness: 2.0mm Weight: 2.003kg/m      Length: 6.0m</p>
<p>Number:JY-80-11 Name: Big Center column      Wall Thickness: 2.0mm Weight: 1.868kg/m      Length: 6.0m</p>	<p>Number:JY-80-07 Name: Small Center column      Wall Thickness: 1.6mm Weight: 1.530kg/m      Length: 6.0m</p>	<p>Number:JY-80-05 Name: door frame collision cover      Wall Thickness: 1.8mm Weight: 1.308kg/m      Length: 6.0m</p>
<p>Number:JY-80-12 Name: side frame collision cover      Wall Thickness: 1.6mm Weight: 0.767kg/m      Length: 6.0m</p>	<p>Number:JY-80-18 Name: 45 degrees converter      Wall Thickness: 1.8mm Weight: 1.206kg/m      Length: 6.0m</p>	<p>Number:JY-80-13 Name: door frame Middle cross      Wall Thickness: 2.0mm Weight: 1.588kg/m      Length: 6.0m</p>



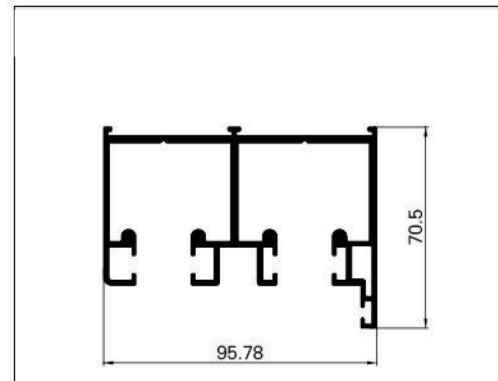
Number: JY-80-17	
Name: door frame Middle cross	Wall Thickness: 2.0mm
Weight: 2.231kg/m	Length: 6.0m



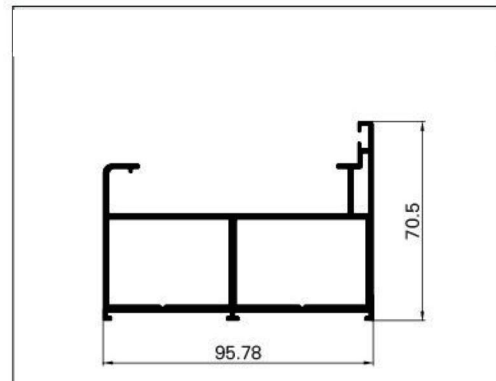
Number: JY-80-08	
Name: Line of pressure door frame	Wall Thickness: 2.0mm
Weight: 1.749kg/m	Length: 6.0m



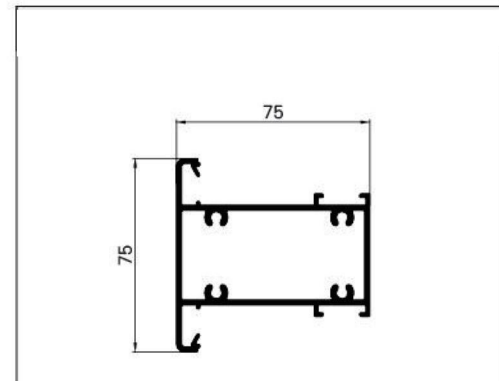
Number: JY-80-09	
Name: door frame Line of pressure	Wall Thickness: 1.4mm
Weight: 0.255kg/m	Length: 6.0m



Number: JY-80-14	
Name: Double-rail upper slide	Wall Thickness: 2.0mm
Weight: 2.664kg/m	Length: 6.0m

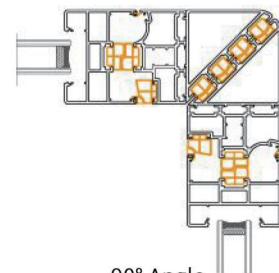
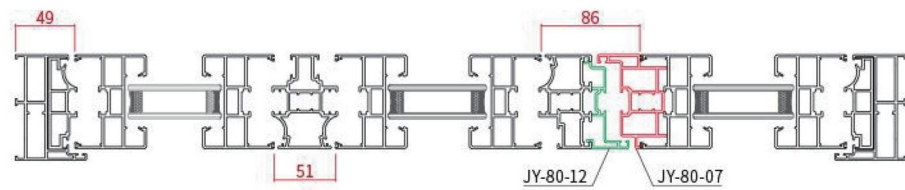


Number: JY-80-15	
Name: Double-rail outer frame	Wall Thickness: 2.0mm
Weight: 2.273kg/m	Length: 6.0m

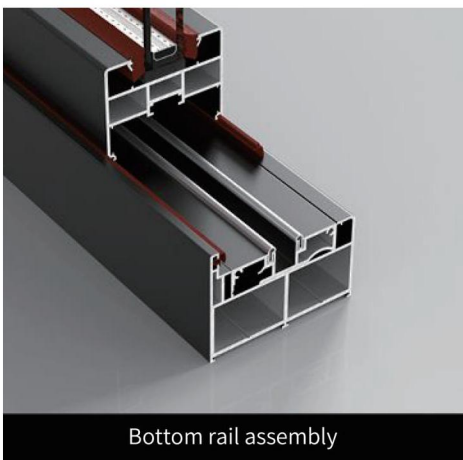


Number: JY-80-16	
Name: door profile Line of pressure middle cross	Wall Thickness: 2.0mm
Weight: 1.936kg/m	Length: 6.0m

321 Folding door assembly drawing



90° Angle assembly solution



Bottom rail assembly

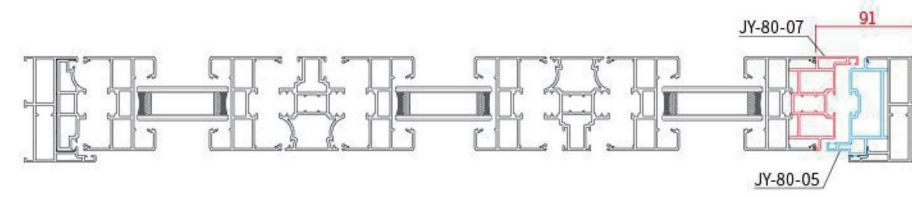


321 collision cover assembly

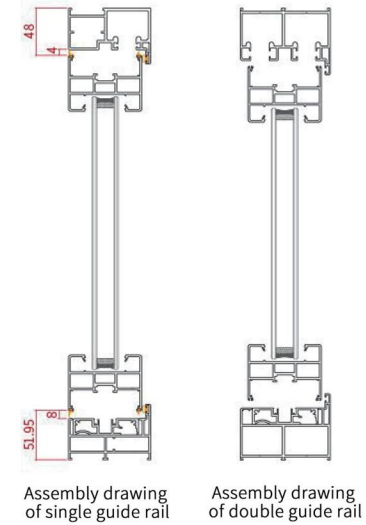
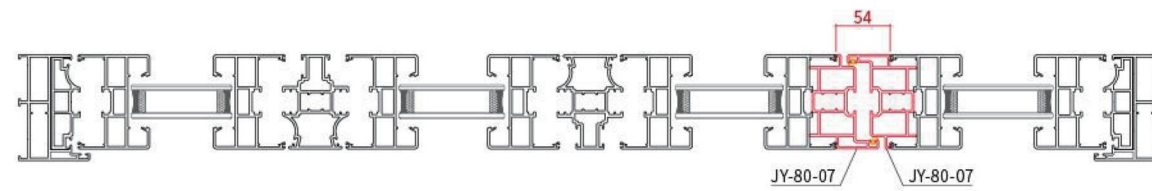


330 collision cover assembly

330 Folding door assembly drawing

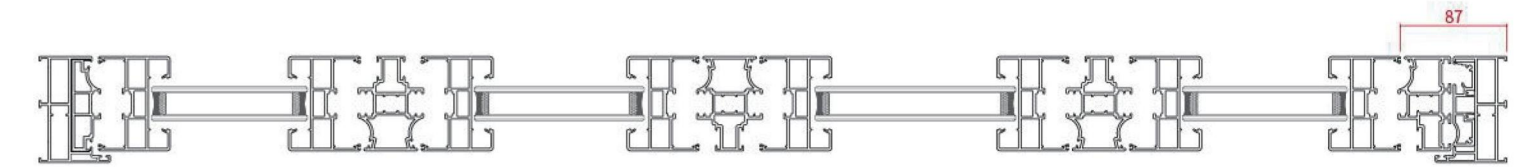


431 Folding door assembly drawing

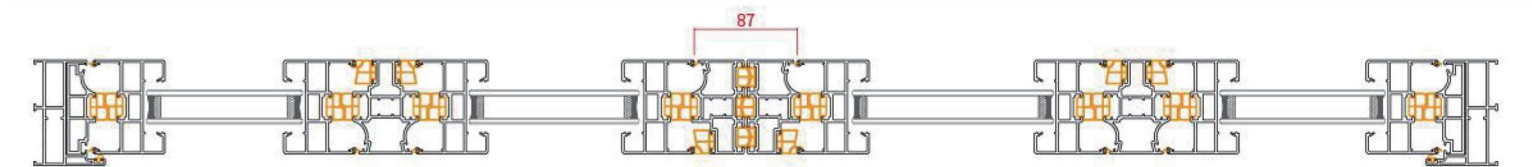


Assembly drawing of single guide rail  
Assembly drawing of double guide rail

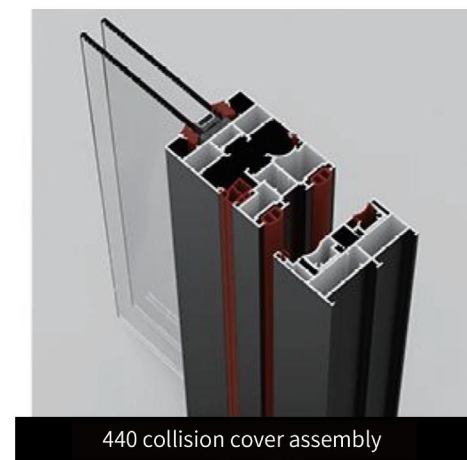
440 Folding door assembly drawing



422 Folding door assembly drawing



431 collision cover assembly



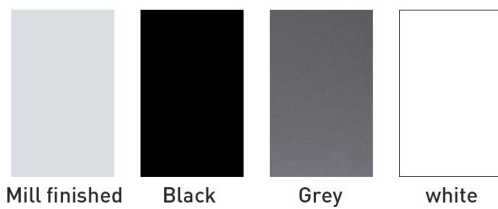
440 collision cover assembly



422 collision cover assembly



80ANT-PINCH CONCEAL EDLARGE FOLDING DOOR(THERMAL BREAK) SERIES SPOT COLOR:



**HARDWARE ACCESSORIES**

1. door frame connector: 47.4X14.6 High All-in-One connector V
2. door frame combined: 21.8X1.0X1.2 Stainless steel corner pieces
3. Side frame connector (big) : 36X14.6 High All/in-One connector V
4. Side frame connector (small) : 22.2X14.6 High All-in-One connector V
5. Stainless steel rail: 68 open P-rail

<p>Name:side frame</p> <p>Model: JY-80-19 Wall Thickness: 2.0mm Weight: 0.998kg/m Length: 6.0m</p> <p>Model: JY-80-20 Wall Thickness: 2.0mm Weight: 1.050kg/m Length: 6.0m</p>	<p>Name:small side frame</p> <p>Model: JY-80-21 Wall Thickness: 1.7mm Weight: 0.845kg/m Length: 6.0m</p> <p>Model: JY-80-22 Wall Thickness: 1.7mm Weight: 0.354kg/m Length: 6.0m</p>
<p>Name:door frame</p> <p>Model: JY-80-23 Wall Thickness: 2.0mm Weight: 1.290kg/m Length: 6.0m</p> <p>Model: JY-80-24 Wall Thickness: 2.0mm Weight: 0.666kg/m Length: 6.0m</p>	<p>Name:Big Center column</p> <p>Model: JY-80-26 Wall Thickness: 2.0mm Weight: 1.540kg/m Length: 6.0m</p> <p>Model: JY-80-27 Wall Thickness: 2.0mm Weight: 0.570kg/m Length: 6.0m</p>
<p>Name:Small Center column</p> <p>Model: JY-80-28 Wall Thickness: 2.0mm Weight: 0.482kg/m Length: 6.0m</p> <p>Model: JY-80-29 Wall Thickness: 2.0mm Weight: 1.590kg/m Length: 6.0m</p>	<p>Name:Bottom rail</p> <p>Model: JY-80-30 Wall Thickness: 2.0mm Weight: 0.904kg/m Length: 6.0m</p> <p>Model: JY-80-31 Wall Thickness: 2.0mm Weight: 0.277kg/m Length: 6.0m</p>
<p>Name:door frame collision cover</p> <p>Model: JY-80-32 Wall Thickness: 2.0mm Weight: 0.973kg/m Length: 6.0m</p> <p>Model: JY-80-33 Wall Thickness: 2.0mm Weight: 0.507kg/m Length: 6.0m</p>	<p>Name:side frame collision cover</p> <p>Model: JY-80-34 Wall Thickness: 1.8mm Weight: 0.914kg/m Length: 6.0m</p> <p>Model: JY-80-35 Wall Thickness: 1.6mm Weight: 0.586kg/m Length: 6.0m</p>

Name: Small Center column collision cover

Model: JY-80-37  
Wall Thickness: 1.8mm  
Weight: 0.506kg/m  
Length: 6.0m

Model: JY-80-38  
Wall Thickness: 1.6mm  
Weight: 0.430kg/m  
Length: 6.0m

Name: Top track

Model: JY-80-39  
Wall Thickness: 2.0mm  
Weight: 1.150kg/m  
Length: 6.0m

Model: JY-80-40  
Wall Thickness: 2.5mm  
Weight: 3.080kg/m  
Length: 6.0m

Name: 45 degrees converter

Model: JY-80-42  
Wall Thickness: 1.5mm  
Weight: 1.030kg/m  
Length: 6.0m

Model: JY-80-41  
Wall Thickness: 1.5mm  
Weight: 0.400kg/m  
Length: 6.0m

Name: Line of pressure door frame

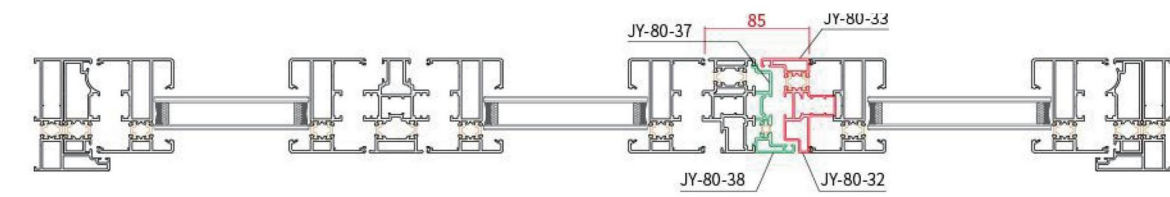
Model: JY-80-24  
Wall Thickness: 2.0mm  
Weight: 0.666kg/m  
Length: 6.0m

Model: JY-80-25  
Wall Thickness: 2.0mm  
Weight: 1.130kg/m  
Length: 6.0m

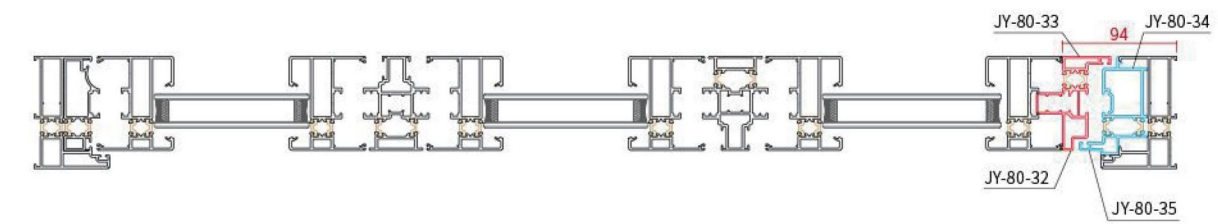
Number: JY-80-36  
Name: Line of pressure  
Wall Thickness: 1.4mm  
Weight: 0.230kg/m  
Length: 6.0m

Number: JY-80-43  
Name: door profile middle cross  
Wall Thickness: 2.0mm  
Weight: 1.870kg/m  
Length: 6.0m

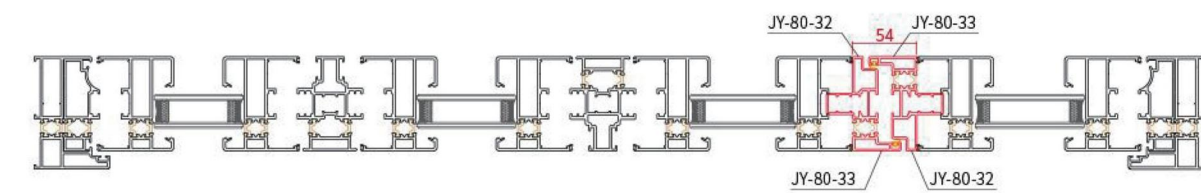
321 Folding door assembly drawing



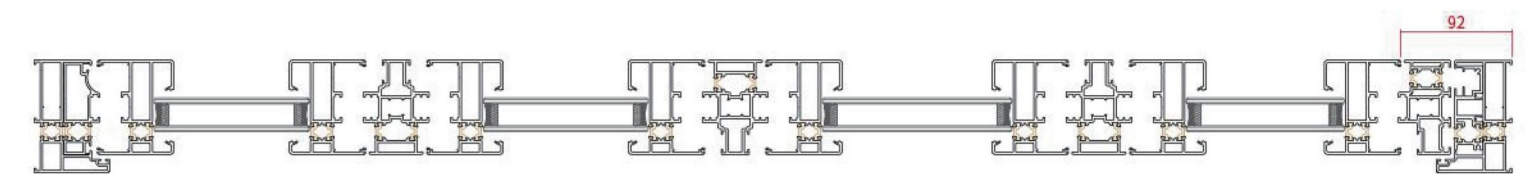
330 Folding door assembly drawing



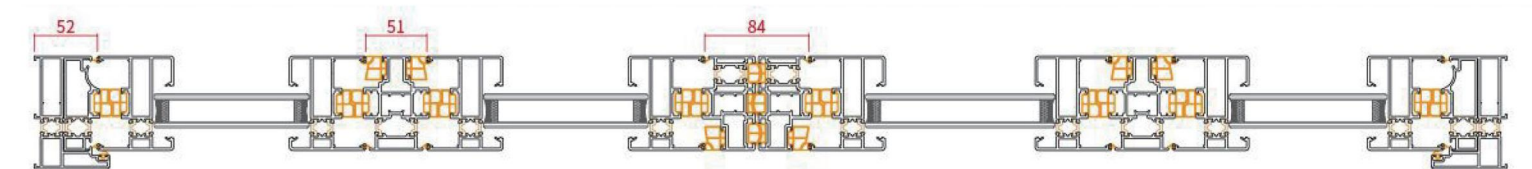
431 Folding door assembly drawing



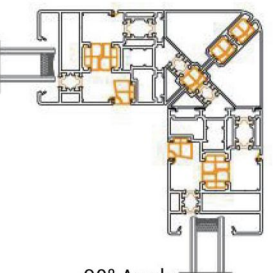
440 Folding door assembly drawing



422 Folding door assembly drawing



Assembly scheme

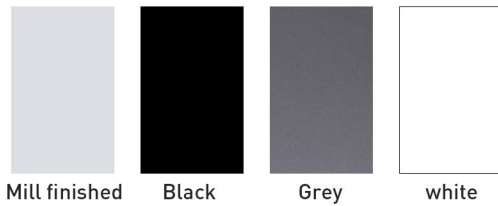


90° Angle assembly solution



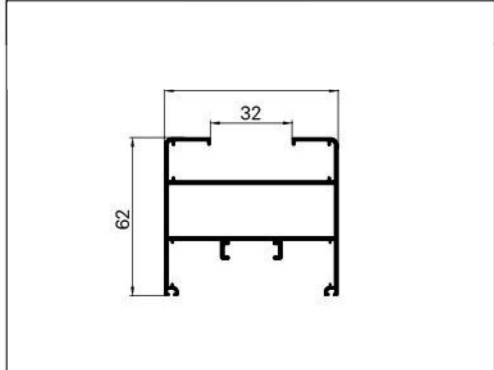
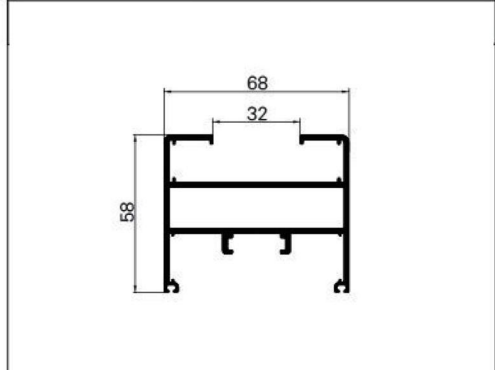
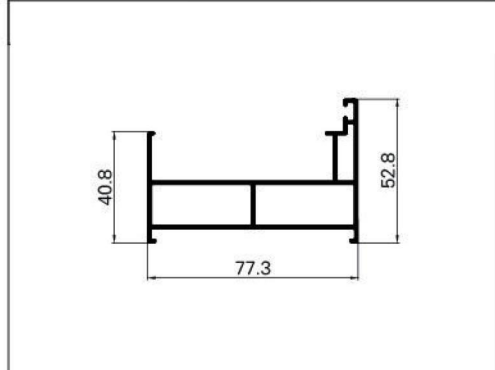
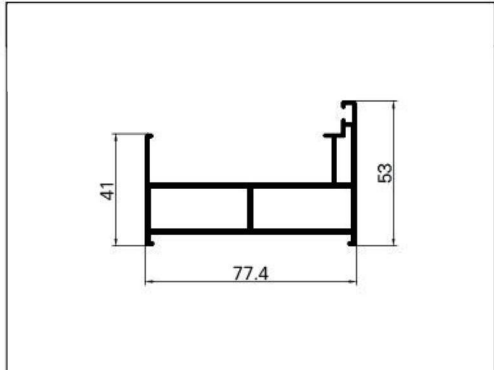
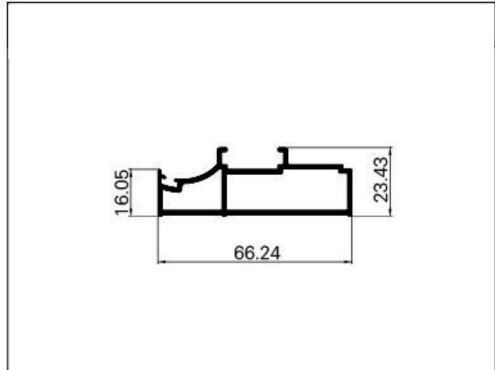
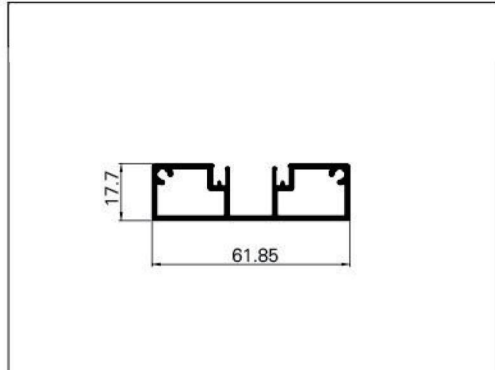
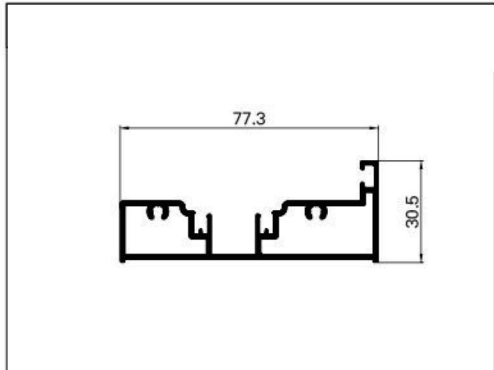
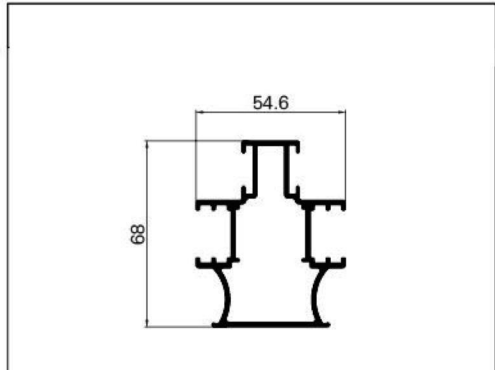
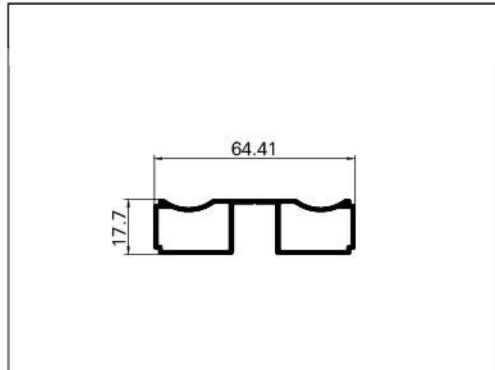
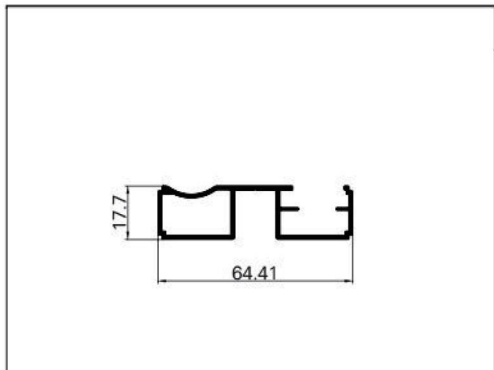
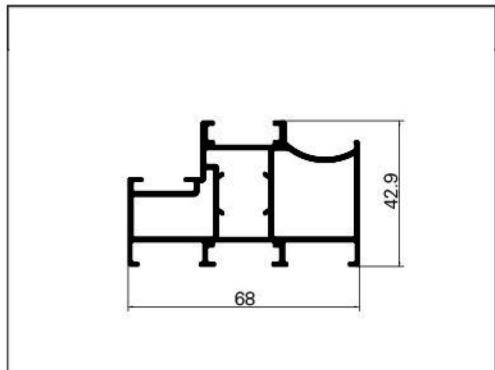
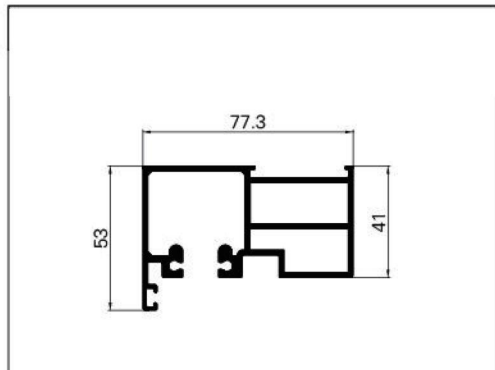


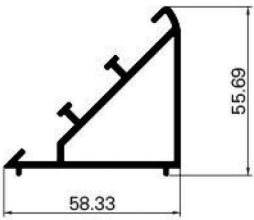
68ANT-PINCH CONCEALED LARGE FOLDING DOOR (NON-THERMAL BREAK) SERIES SPOT COLOR:



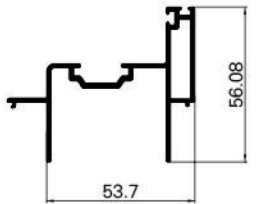
**HARDWARE ACCESSORIES**

1. door frame connector:
  - ① 1.6 thick 64.5X19 Connector(stainless steel)
  - ② 2.0 thick 63.6X14.5 Connector (stainless steel)
2. door frame combined (Inside) :
  - ① 13.8X1.0X1.5 Stainless steel corner pieces (68-07)
  - ② 13.8X1.0X1.5 Stainless steel corner pieces (68-25)
3. door frame combined (External) :
  - 13.8X1.0X1.5 Stainless steel corner pieces
4. Side frame connector: 34.5X14 Connector (stainless steel)
5. Stainless steel rail: 68 open P-rail
6. 68-20 Center column connector:
  - 18.3X14 (47height) Center column connector

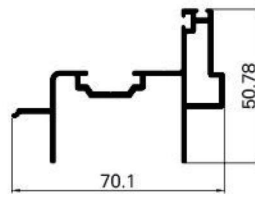
 <p>Number:YC-68-07 Name: door frame Wall Thickness: 1.5mm Weight: 1.324kg/m Length: 6.0m</p>	 <p>Number:YC-68-25 Name: door frame Wall Thickness: 1.9mm Weight: 1.590kg/m Length: 6.0m</p>	 <p>Number:YC-68-01 Name: side frame Top track Wall Thickness: 1.5mm Weight: 1.185kg/m Length: 6.0m</p>
 <p>Number:YC-68-24 Name: side frame Top track Wall Thickness: 1.8mm Weight: 1.380kg/m Length: 6.0m</p>	 <p>Number:YC-68-02 Name: small side frame Wall Thickness: 1.5mm Weight: 0.800kg/m Length: 6.0m</p>	 <p>Number:YC-68-03 Name: Upper and lower rails Wall Thickness: 1.5mm Weight: 0.782kg/m Length: 6.0m</p>
 <p>Number:YC-68-23 Name: Water retaining lower rail Wall Thickness: 1.5mm Weight: 1.014kg/m Length: 6.0m</p>	 <p>Number:YC-68-09A Name: Big Center column Wall Thickness: 1.8mm Weight: 1.312kg/m Length: 6.0m</p>	 <p>Number:YC-68-26 Name: side frame accessories Wall Thickness: 1.5mm Weight: 0.660kg/m Length: 6.0m</p>
 <p>Number:YC-68-27 Name: side frame upper rail accessories Wall Thickness: 1.3mm Weight: 0.626kg/m Length: 6.0m</p>	 <p>Number:YC-68-22 Name: Small Center column Wall Thickness: 0.9mm Weight: 1.288kg/m Length: 6.0m</p>	 <p>Number:YC-68-14 Name: Top track Wall Thickness: 1.9mm Weight: 1.904kg/m Length: 6.0m</p>



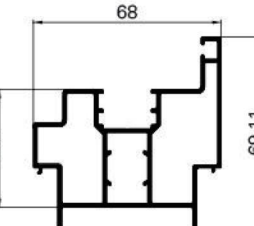
Number: YC-68-05  
 Name: 45 degrees converter profile  
 Wall Thickness: 2.0mm  
 Weight: 1.088kg/m  
 Length: 6.0m



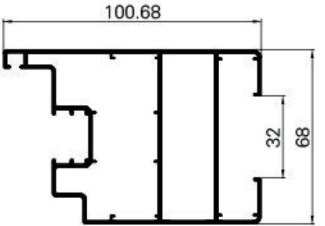
Number: YC-68-06  
 Name: Single+0 door frame collision cover  
 Wall Thickness: 1.5mm  
 Weight: 0.915kg/m  
 Length: 6.0m



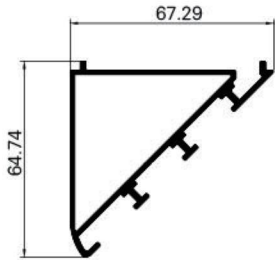
Number: YC-68-04  
 Name: Single +0 side frame collision cover  
 Wall Thickness: 1.5mm  
 Weight: 0.883kg/m  
 Length: 6.0m



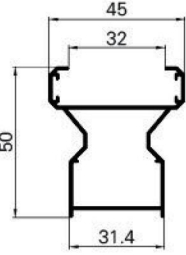
Number: YC-68-08  
 Name: door frame collision cover  
 Wall Thickness: 1.5mm  
 Weight: 1.361kg/m  
 Length: 6.0m



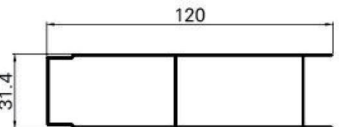
Number: YC-68-19  
 Name: collision cover door frame  
 Wall Thickness: 1.5mm  
 Weight: 1.837kg/m  
 Length: 6.0m



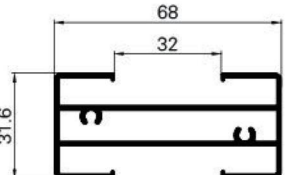
Number: YC-68-13  
 Name: 45 degrees converter profile  
 Wall Thickness: 1.5mm  
 Weight: 1.122kg/m  
 Length: 6.0m



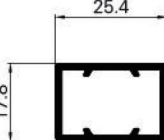
Number: YC-68-17  
 Name: Conversions  
 Wall Thickness: 1.0mm  
 Weight: 0.545kg/m  
 Length: 6.0m



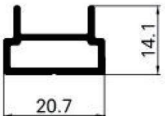
Number: YC-68-18  
 Name: Cap  
 Wall Thickness: 1.0mm  
 Weight: 0.873kg/m  
 Length: 6.0m



Number: YC-68-16  
 Name: centre column  
 Wall Thickness: 1.5mm  
 Weight: 1.132kg/m  
 Length: 6.0m

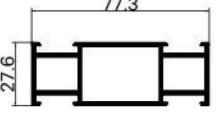


Number: YC-68-10  
 Name: Accessories for anti-trap hand columns  
 Wall Thickness: 1.5mm  
 Weight: 0.349kg/m  
 Length: 6.0m



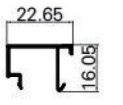
Number: YC-68-06  
 Name: Hinge Accessories  
 Wall Thickness: 1.2mm  
 Weight: 0.211kg/m  
 Length: 6.0m

Number: YC-68-20



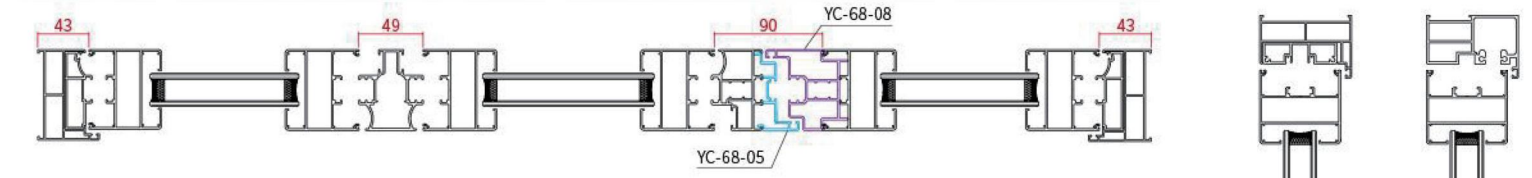
Name: Hinge Accessories  
 Weight: 1.254kg/m  
 Wall Thickness: 1.8mm  
 Length: 6.0m

Number: YC-68-21

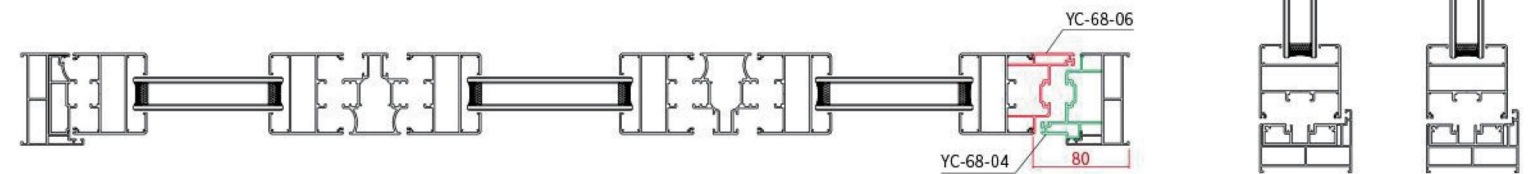


Name: Hinge Accessories  
 Weight: 0.157kg/m  
 Wall Thickness: 1.0mm  
 Length: 6.0m

321 Folding door assembly drawing

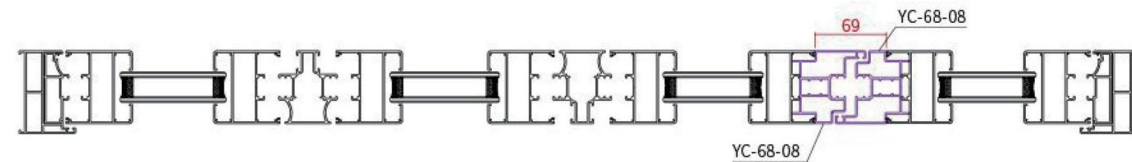


330 Folding door assembly drawing

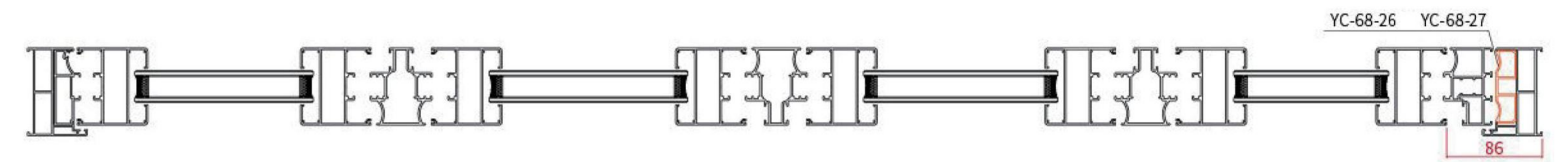


Assembly scheme

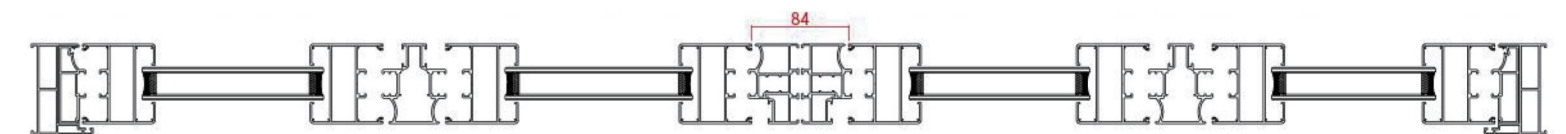
431 Folding door assembly drawing



440 Folding door assembly drawing

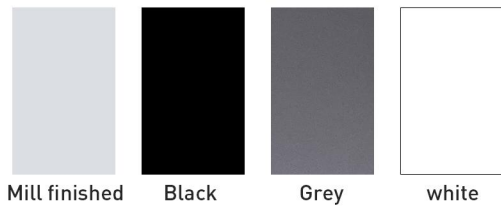


422 Folding door assembly drawing





68 ANT-PINCH CONCEALED LARGE FOLDING DOOR(THERMAL BREAK) SERIES SPOT COLOR:



**HARDWARE ACCESSORIES**

1. door frame connector: 38.7X15 High All-in-One connector V
2. door frame combined: 17.8X1.0X1.2 Stainless steel corner pieces
3. Side frame connector (big) : 41.9X15 High All-in-One connector V
4. Side frame connector (small) : 12.3X15 High All-in-One connector V
5. Stainless steel rail: 68 open P-rail

<p>Name: frame</p> <p>Model: JY-68DQ-01 Wall Thickness: 2.0mm Weight: 0.814kg/m Length: 6.0m</p> <p>Model: JY-68DQ-02 Wall Thickness: 2.0mm Weight: 0.745kg/m Length: 6.0m</p>	<p>Name:door frame</p> <p>Model: JY-68DQ-03 Wall Thickness: 2.0mm Weight: 1.100kg/m Length: 6.0m</p> <p>Model: JY-68DQ-04 Wall Thickness: 2.0mm Weight: 0.577kg/m Length: 6.0m</p>
<p>Name:Big Center column</p> <p>Model: JY-68DQ-05 Wall Thickness: 2.0mm Weight: 1.430kg/m Length: 6.0m</p> <p>Model: JY-68DQ-06 Wall Thickness: 2.0mm Weight: 0.498kg/m Length: 6.0m</p>	<p>Name:Small Center column</p> <p>Model: JY-68DQ-08 Wall Thickness: 1.5mm Weight: 1.050kg/m Length: 6.0m</p> <p>Model: JY-68DQ-07 Wall Thickness: 1.5mm Weight: 0.370kg/m Length: 6.0m</p>
<p>Name:side frame Top track accessories</p> <p>Model: JY-68DQ-09 Wall Thickness: 1.5mm Weight: 0.490kg/m Length: 6.0m</p> <p>Model: JY-68DQ-10 Wall Thickness: 1.5mm Weight: 0.262kg/m Length: 6.0m</p>	<p>Name:door frame collision cover</p> <p>Model: JY-68DQ-11 Wall Thickness: 1.4mm Weight: 0.850kg/m Length: 6.0m</p> <p>Model: JY-68DQ-12 Wall Thickness: 1.2mm Weight: 0.384kg/m Length: 6.0m</p>
<p>Name:side frame collision cover</p> <p>Model: JY-68DQ-13 Wall Thickness: 1.4mm Weight: 0.648kg/m Length: 6.0m</p> <p>Model: JY-68DQ-14 Wall Thickness: 1.4mm Weight: 0.412kg/m Length: 6.0m</p>	<p>Name:Small Center column collision cover</p> <p>Model: JY-68DQ-15 Wall Thickness: 1.4mm Weight: 0.387kg/m Length: 6.0m</p> <p>Model: JY-68DQ-16 Wall Thickness: 1.2mm Weight: 0.307kg/m Length: 6.0m</p>

Name:45 degrees converter

Model: JY-68DQ-17  
Wall Thickness: 1.5mm  
Weight: 0.404kg/m  
Length: 6.0m

Model: JY-68DQ-18  
Wall Thickness: 1.5mm  
Weight: 0.870kg/m  
Length: 6.0m

Name:Upper and lower rails

Model: JY-68DQ-19  
Wall Thickness: 1.5mm  
Weight: 0.640kg/m  
Length: 6.0m

Model: JY-68DQ-20  
Wall Thickness: 1.5mm  
Weight: 0.160kg/m  
Length: 6.0m

Name:door frame with Line of pressure

Model: JY-68DQ-23  
Wall Thickness: 1.5mm  
Weight: 0.822kg/m  
Length: 6.0m

Model: JY-68DQ-22  
Wall Thickness: 1.5mm  
Weight: 0.483kg/m  
Length: 6.0m

Name:small side frame

Model: JY-68DQ-24  
Wall Thickness: 1.5mm  
Weight: 0.693kg/m  
Length: 6.0m

Model: JY-68DQ-25  
Wall Thickness: 1.5mm  
Weight: 0.194kg/m  
Length: 6.0m

Name:Top track

Model: JY-68DQ-26  
Wall Thickness: 2.0mm  
Weight: 0.575kg/m  
Length: 6.0m

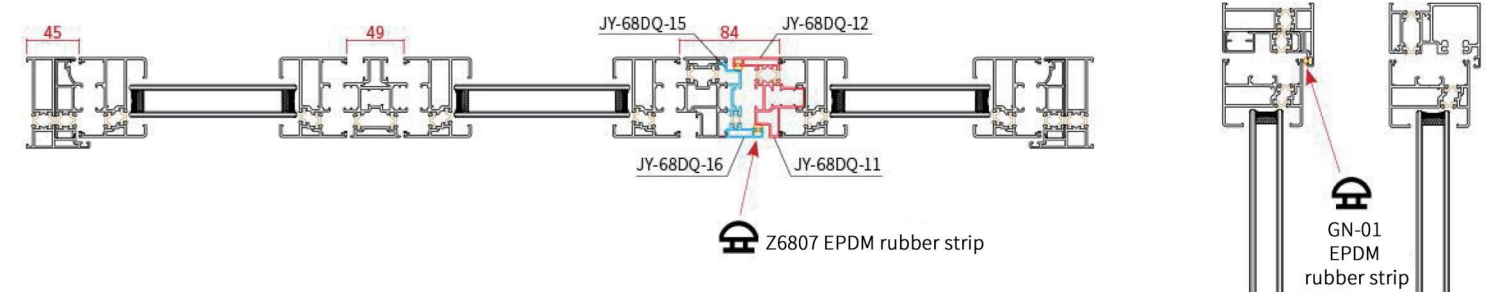
Model: JY-68DQ-27  
Wall Thickness: 2.0mm  
Weight: 1.440kg/m  
Length: 6.0m

Name: door frame Line of pressure

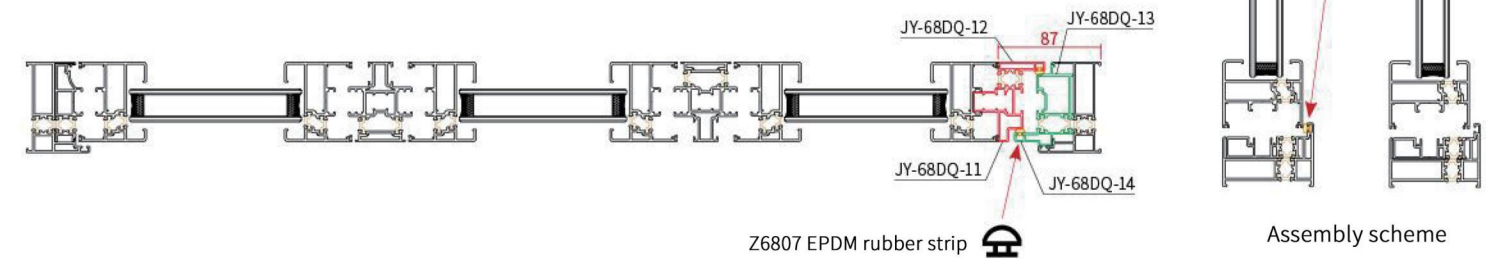
Number:JY-68DQ-21  
Weight: 0.232kg/m

Wall Thickness: 1.4mm  
Length: 6.0m

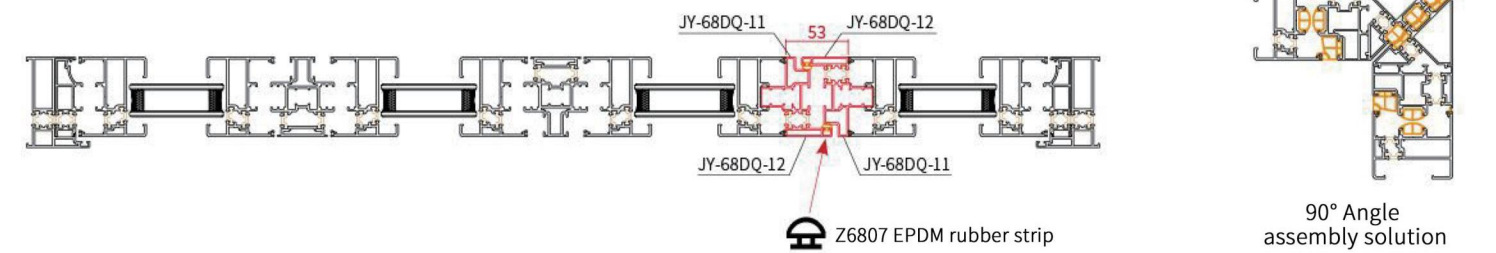
321 Folding door assembly drawing



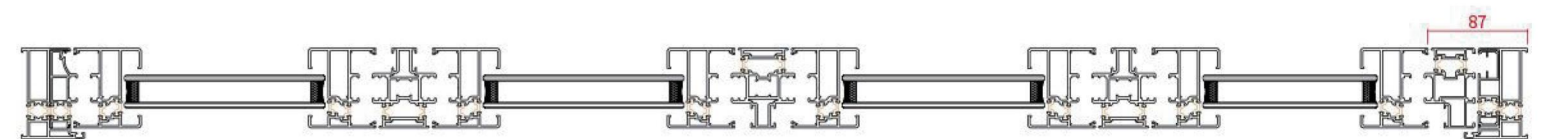
330 Folding door assembly drawing



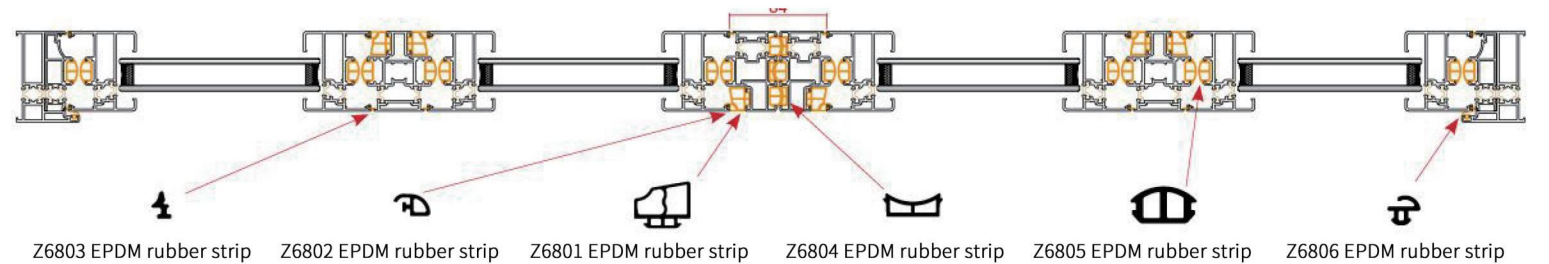
431 Folding door assembly drawing



440 Folding door assembly drawing

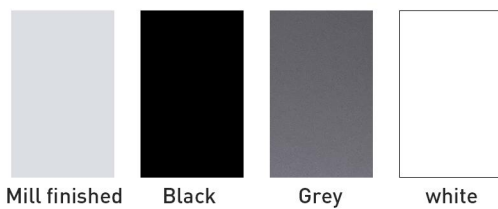


422 Folding door assembly drawing



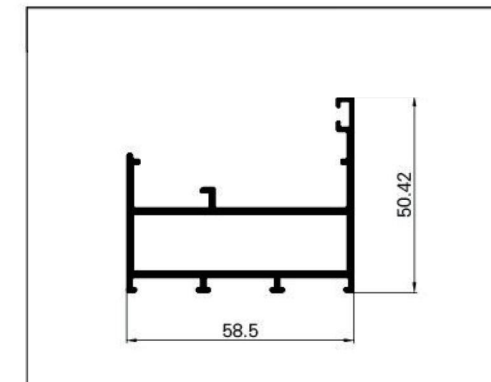


50 ANTI-PINCH CONCEALED FOLDING DOOR/FOLDING WINDOW SERIES SPOT COLOR:

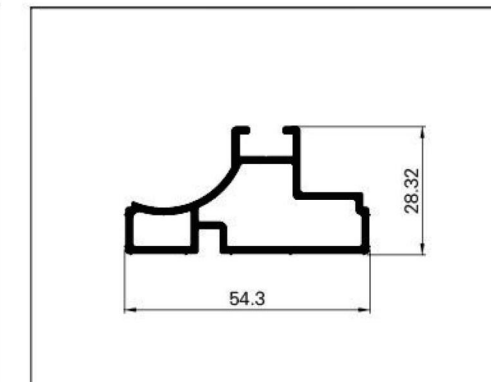


HARDWARE ACCESSORIES

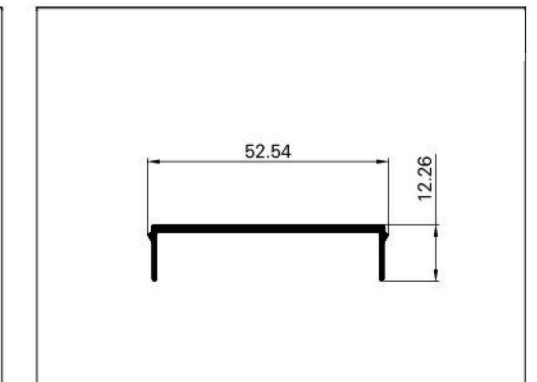
1. Side frame connector: 14X54 Connector
2. door frame connector: 21.3X13.5 connector (6.8 Cap)
3. door frame combined: 14X1.0X1.2 Stainless steel corner pieces
4. door frame combined: 16.1X1.0X1.2 Stainless steel corner pieces
5. Z5001 rubber strips
6. Z5002 rubber strips
7. Z5003 rubber strips
8. Z5005 foam adhesive strip
9. GM-01 EPDM adhesive tape (slip aid type)
10. Stainless steel rail: 68 open P-rail



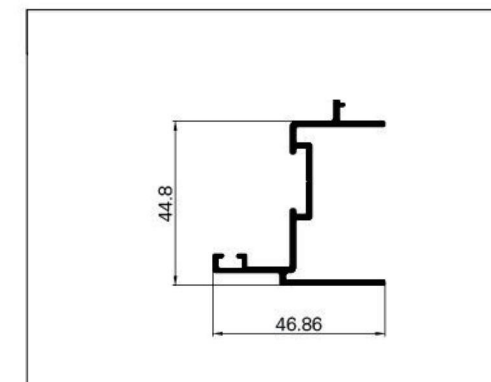
Number: JY-50ZD-01	
Name: side frame Top track	Wall Thickness: 1.8mm
Weight: 1.060kg/m	Length: 6.0m



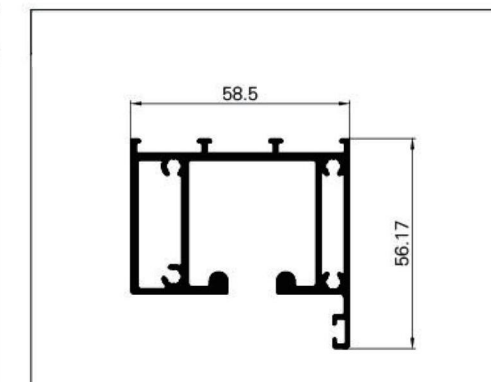
Number: JY-50ZD-02	
Name: small side frame	Wall Thickness: 1.5mm
Weight: 0.703kg/m	Length: 6.0m



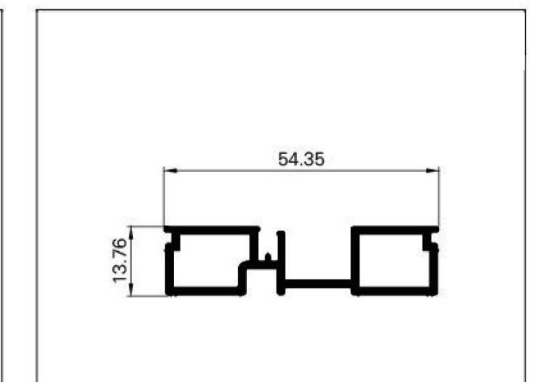
Number: JY-50ZD-03	
Name: side frame covers	Wall Thickness: 1.6mm
Weight: 0.287kg/m	Length: 6.0m



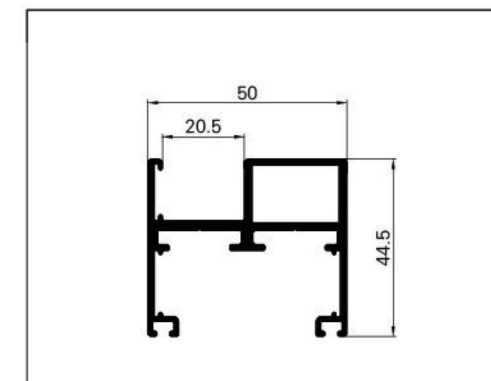
Number: JY-50ZD-04	
Name: side frame collision cover	Wall Thickness: 1.5mm
Weight: 0.588kg/m	Length: 6.0m



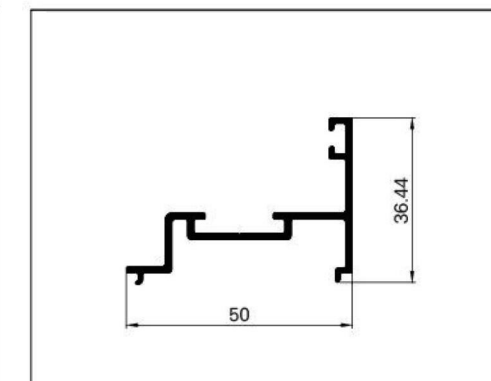
Number: JY-50ZD-05	
Name: Top track	Wall Thickness: 2.0mm
Weight: 1.600kg/m	Length: 6.0m



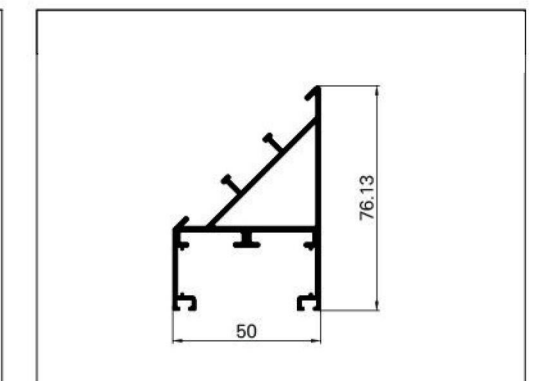
Number: JY-50ZD-06	
Name: bottom rail	Wall Thickness: 1.5mm
Weight: 0.592kg/m	Length: 6.0m



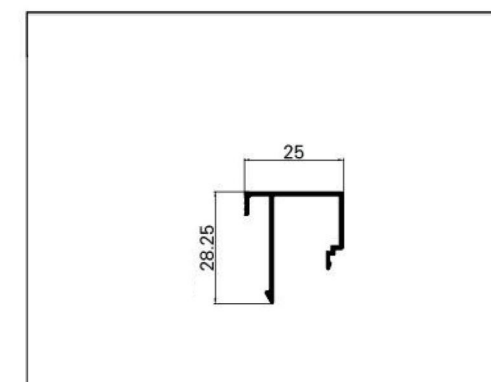
Number: JY-50ZD-07	
Name: door frame	Wall Thickness: 2.0mm
Weight: 1.100kg/m	Length: 6.0m



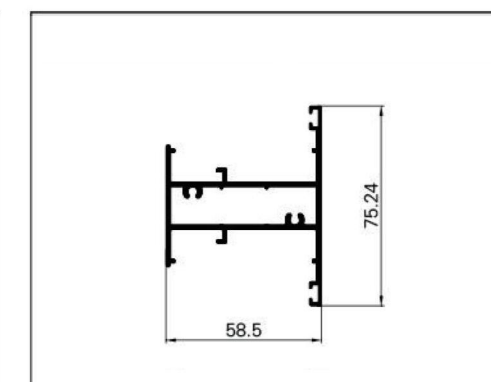
Number: JY-50ZD-08	
Name: door frame collision cover	Wall Thickness: 1.5mm
Weight: 0.497kg/m	Length: 6.0m



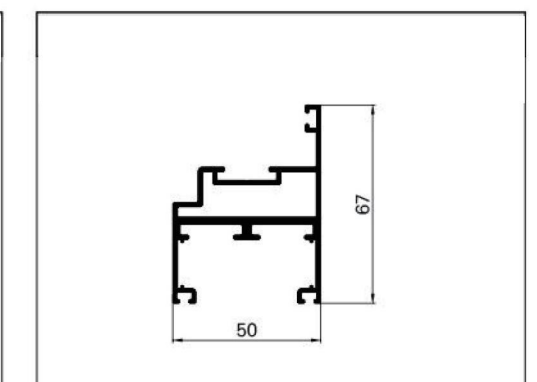
Number: JY-50ZD-09	
Name: 45 degrees converter	Wall Thickness: 1.5mm
Weight: 1.230kg/m	Length: 6.0m



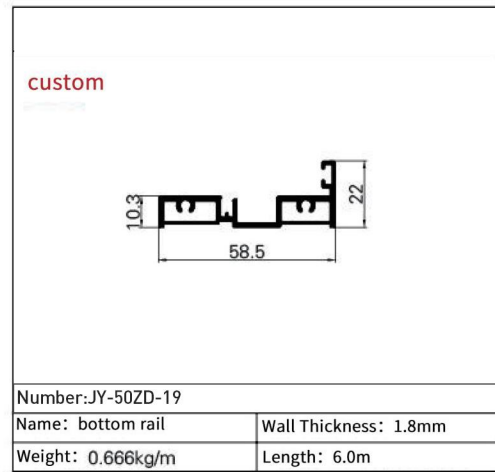
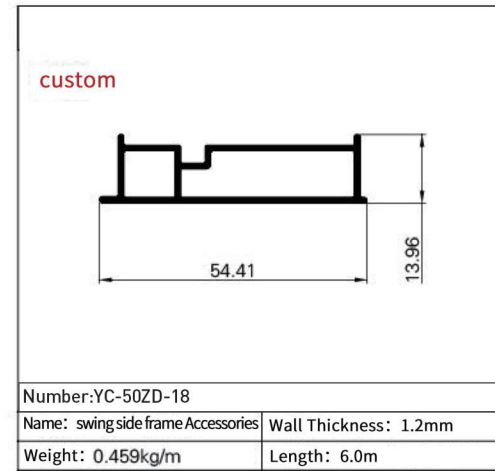
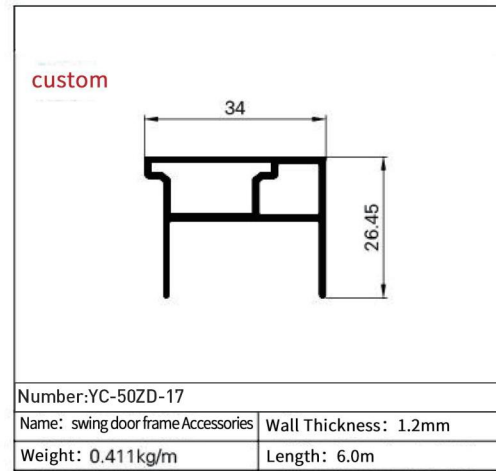
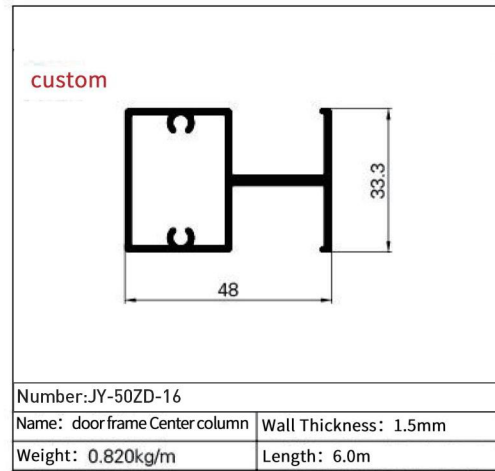
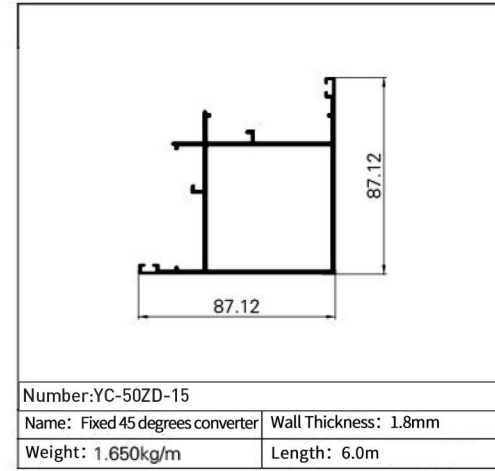
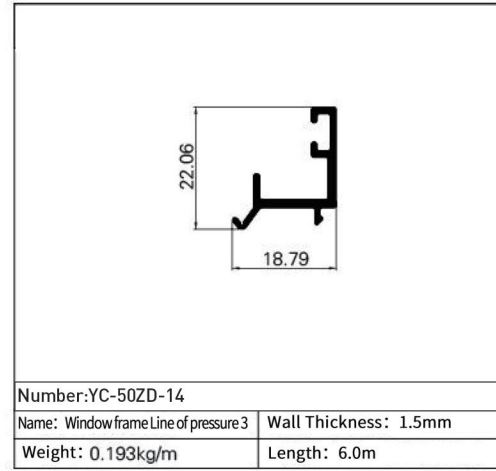
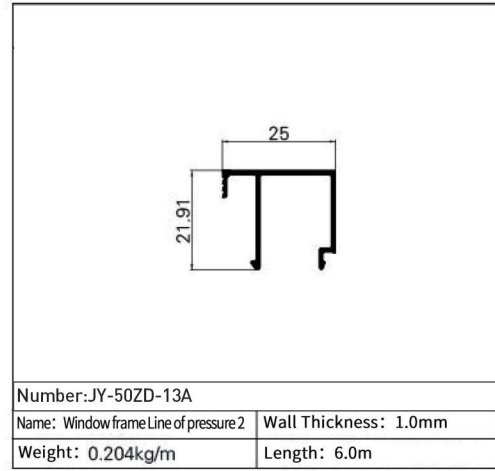
Number: JY-50ZD-10	
Name: Window frame Line of pressure	Wall Thickness: 1.0mm
Weight: 0.218kg/m	Length: 6.0m



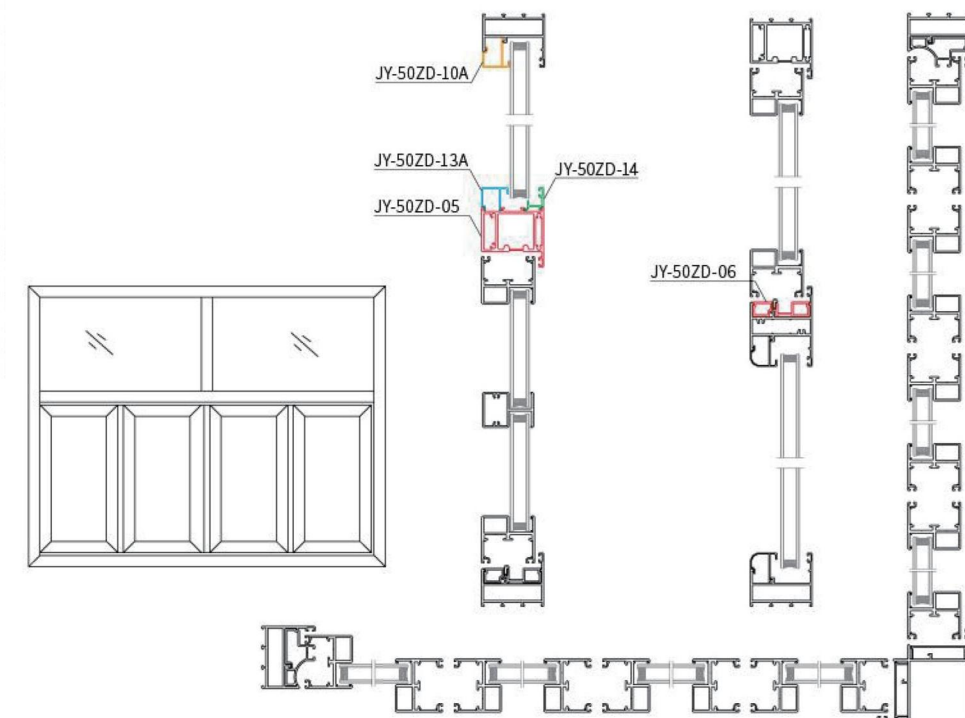
Number: JY-50ZD-11	
Name: Window frame Center column	Wall Thickness: 1.8mm
Weight: 1.350kg/m	Length: 6.0m



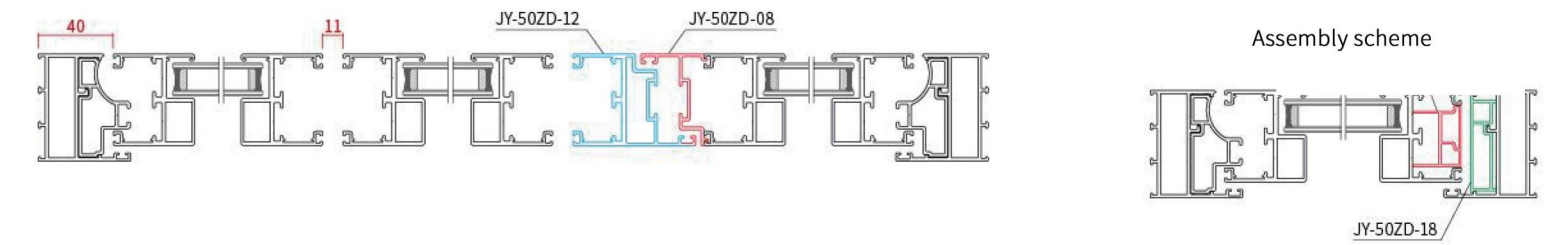
Number: JY-50ZD-12	
Name: Atrium	Wall Thickness: 1.5mm
Weight: 1.300kg/m	Length: 6.0m



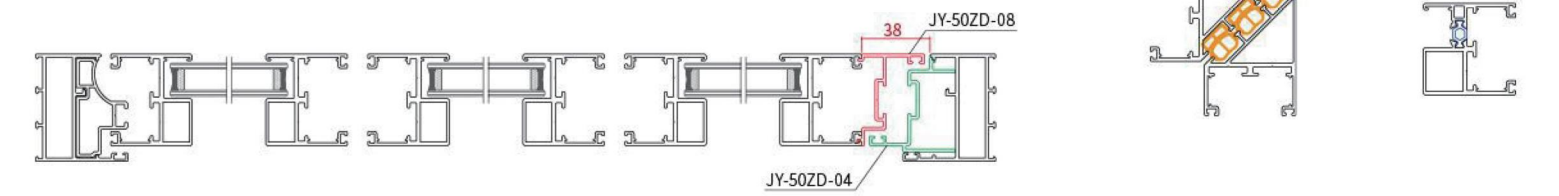
Configuration drawing offolding aluminum profile window



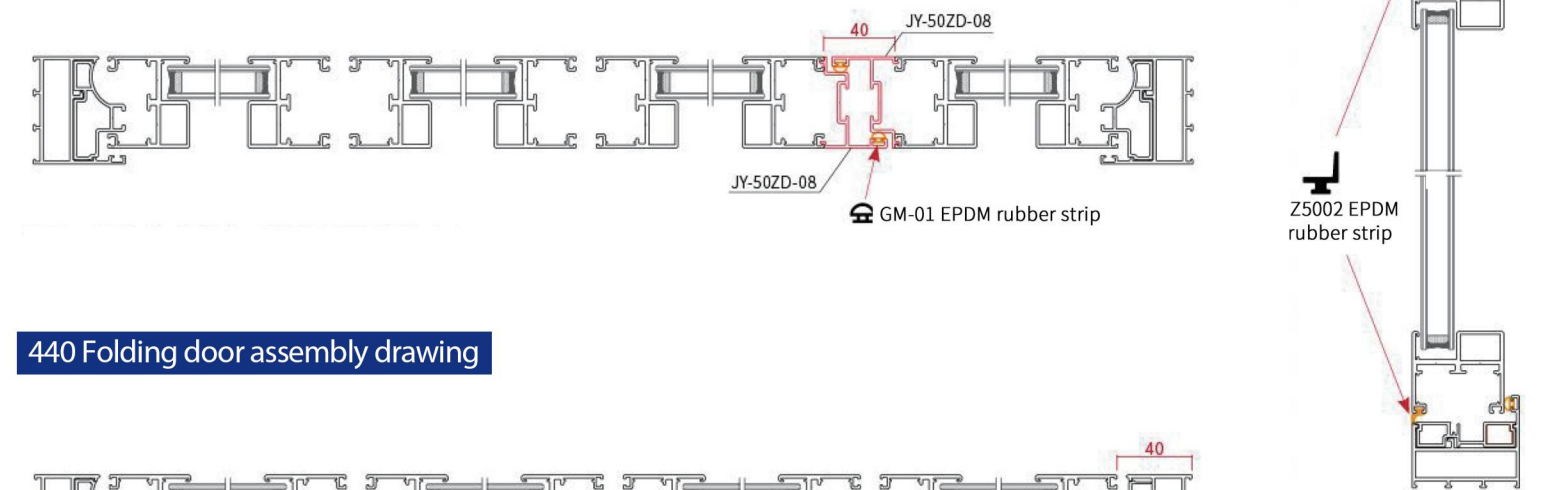
321 Folding door assembly drawing



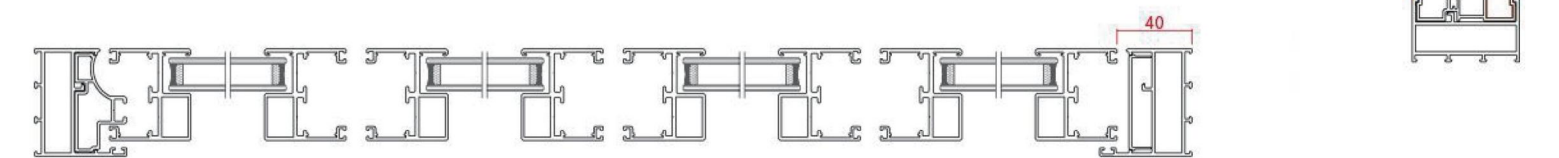
330 Folding door assembly drawing



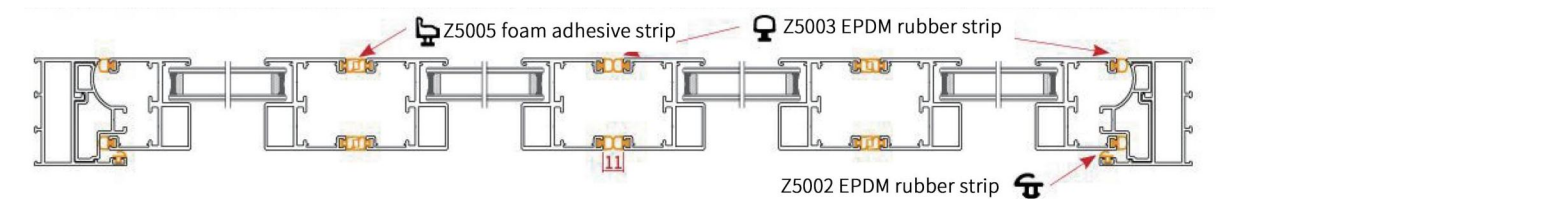
431 Folding door assembly drawing



440 Folding door assembly drawing

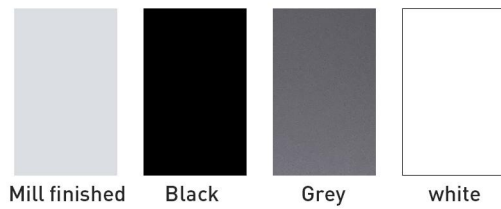


422 Folding door assembly drawing

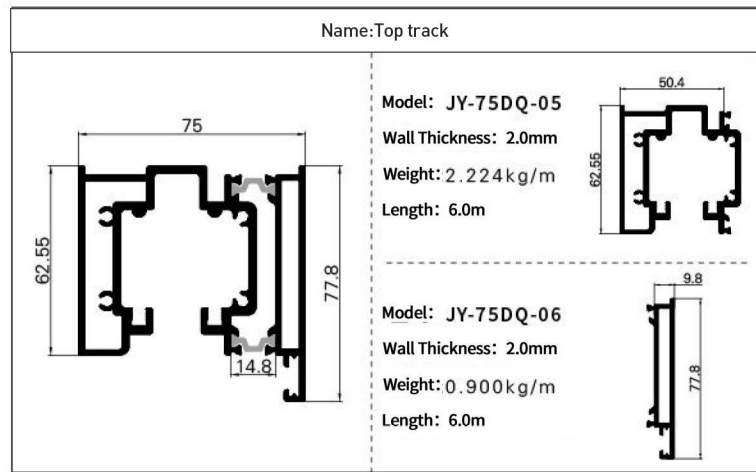
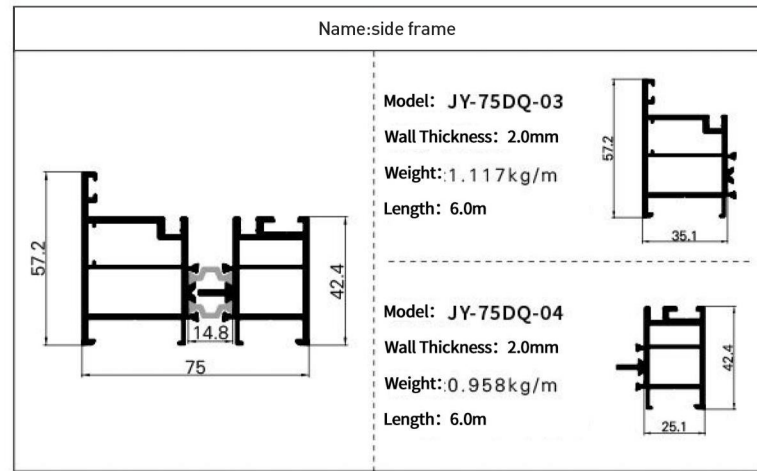
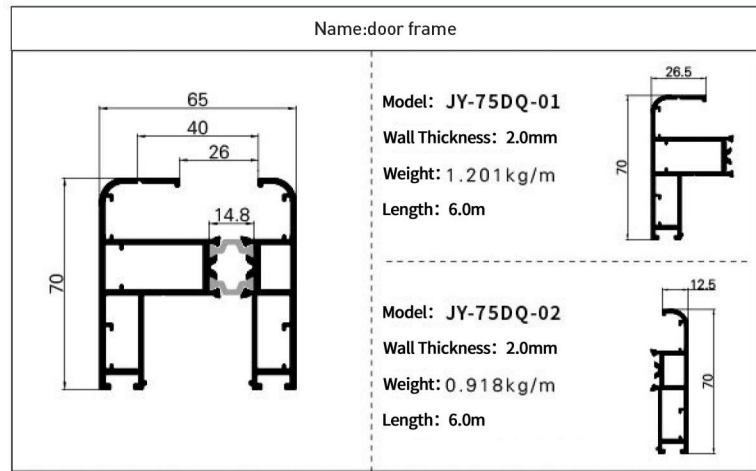
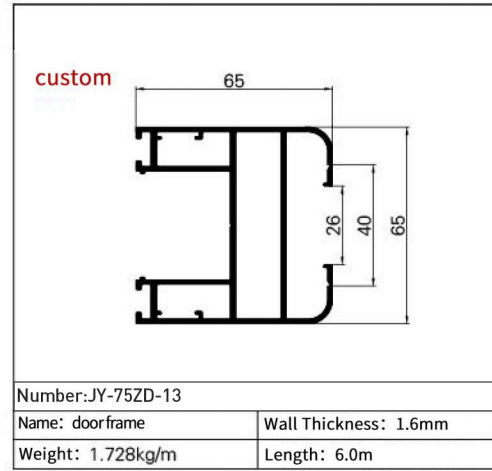
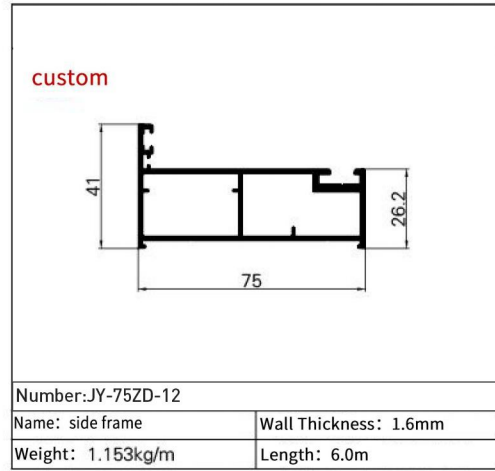




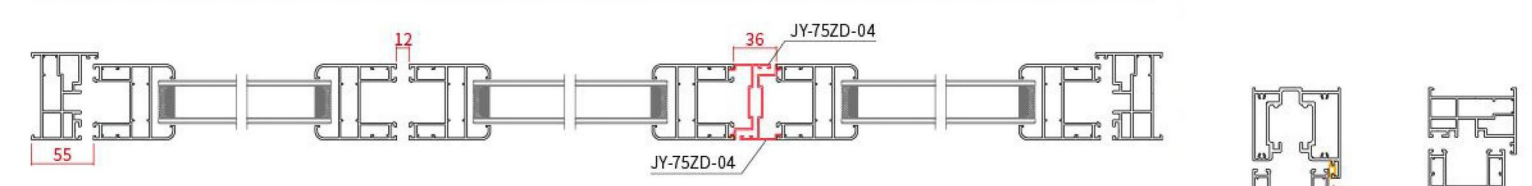
75 LARGE FOLDING DOOR (NON-THERMAL BREAK/THERMAL BREAK)  
SERIES SPOT COLOR:



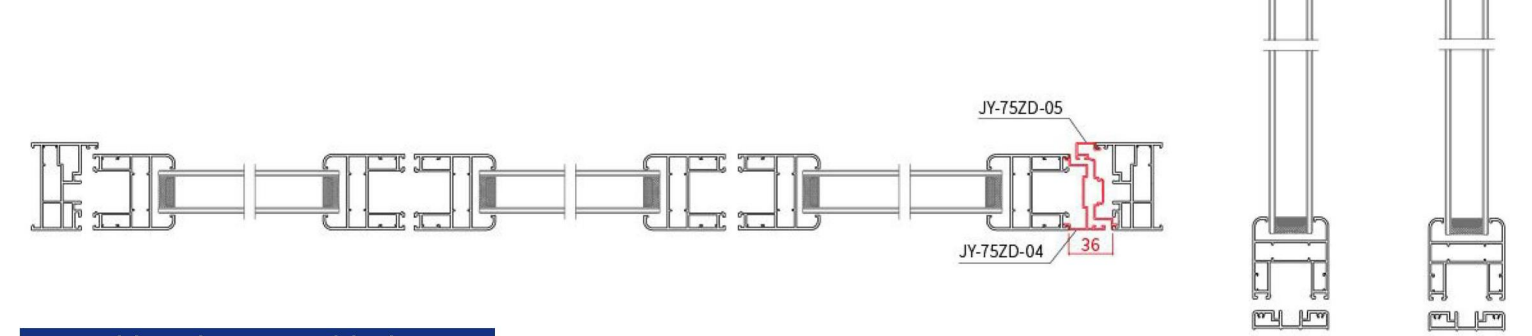
<p>Number: JY-75ZD-02 Name: side frame   Wall Thickness: 2.0mm Weight: 1.971kg/m   Length: 6.0m</p>	<p>Number: JY-75ZD-01 Name: door frame   Wall Thickness: 2.0mm Weight: 1.935kg/m   Length: 6.0m</p>	<p>Number: JY-75ZD-07 Name: door frame   Wall Thickness: 2.0mm Weight: 1.923kg/m   Length: 6.0m</p>
<p>Number: JY-75ZD-06 Name: bottom rail   Wall Thickness: 1.8mm Weight: 0.915kg/m   Length: 6.0m</p>	<p>Number: JY-75ZD-04 Name: collision cover 1   Wall Thickness: 1.4mm Weight: 0.441kg/m   Length: 6.0m</p>	<p>Number: JY-75ZD-05 Name: collision cover 2   Wall Thickness: 1.2mm Weight: 0.506kg/m   Length: 6.0m</p>
<p>Number: JY-75ZD-03 Name: Accessories   Wall Thickness: 1.4mm Weight: 0.370kg/m   Length: 6.0m</p>	<p>Number: JY-75WB-05 Name: Flat aluminium transmission rods   Wall Thickness: 2.0mm Weight: 0.132kg/m   Length: 6.0m</p>	<p>Number: JY-75ZD-08 Name: collision cover door frame   Wall Thickness: 2.0mm Weight: 1.679kg/m   Length: 6.0m</p>
<p>Number: JY-75ZD-09 Name: 45 degrees converter   Wall Thickness: 1.5mm Weight: 1.081kg/m   Length: 6.0m</p>	<p>Number: JY-75ZD-10 Name: Top track   Wall Thickness: 2.0mm Weight: 2.804kg/m   Length: 6.0m</p>	<p>Number: JY-75ZD-11 Name: Upper and lower rails   Wall Thickness: 1.6mm Weight: 1.268kg/m   Length: 6.0m</p>



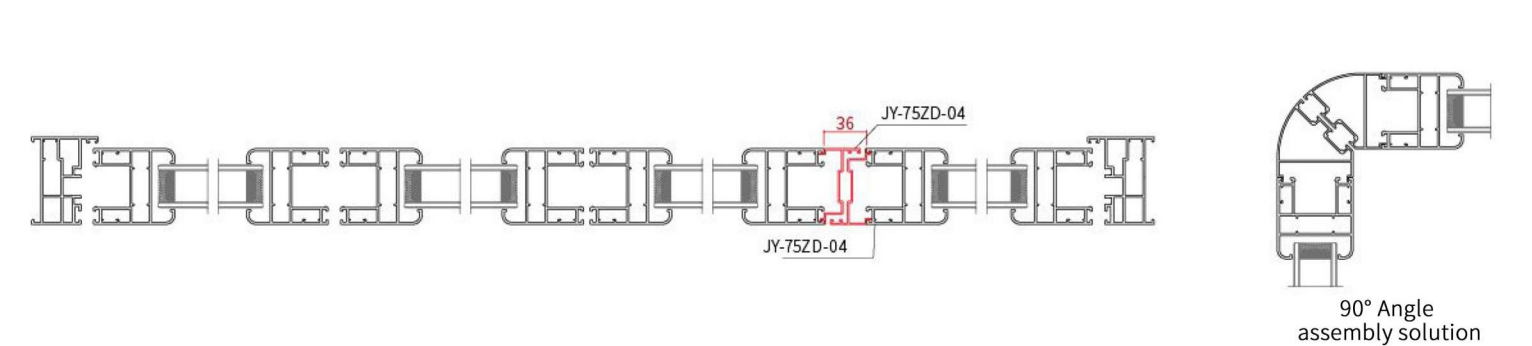
321 Folding door assembly drawing



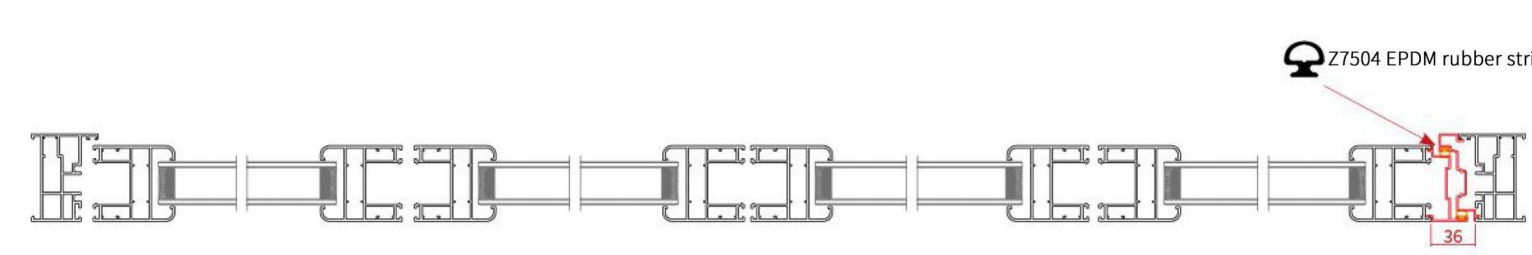
331 Folding door assembly drawing



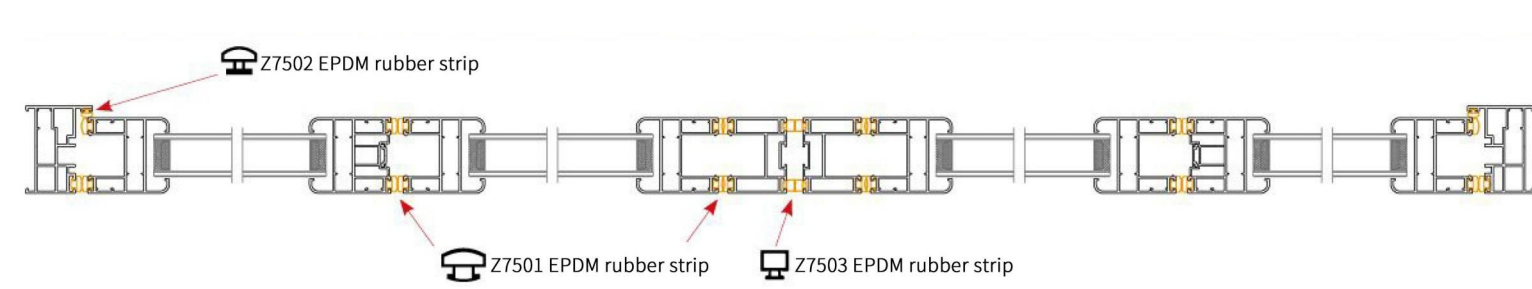
431 Folding door assembly drawing



440 Folding door assembly drawing



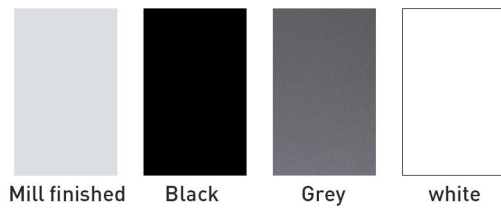
422 Folding door assembly drawing



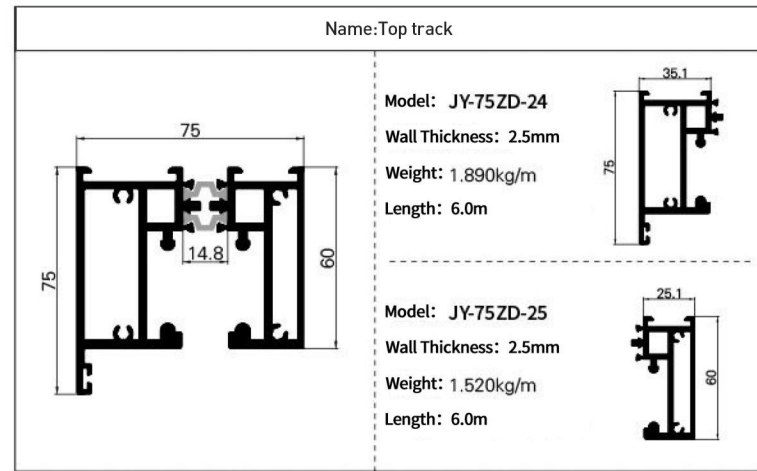
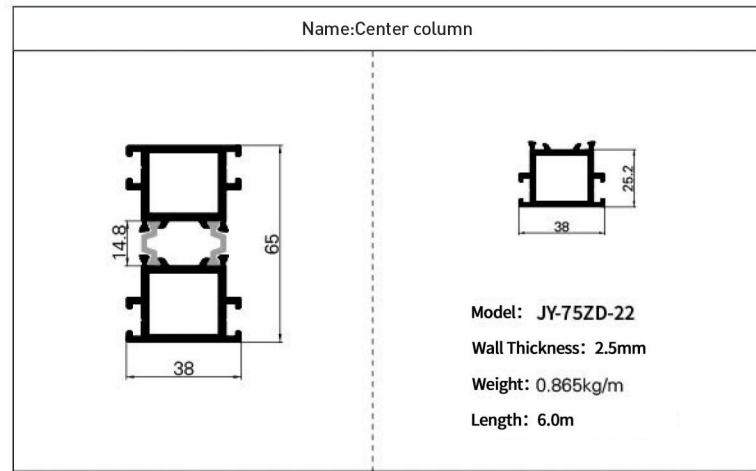
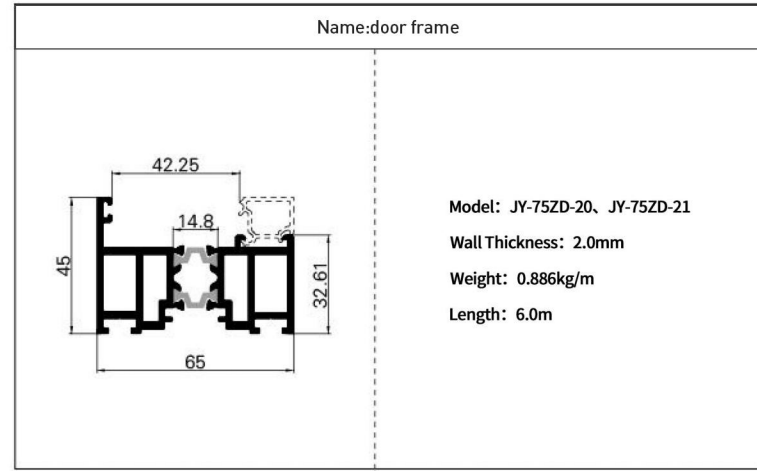
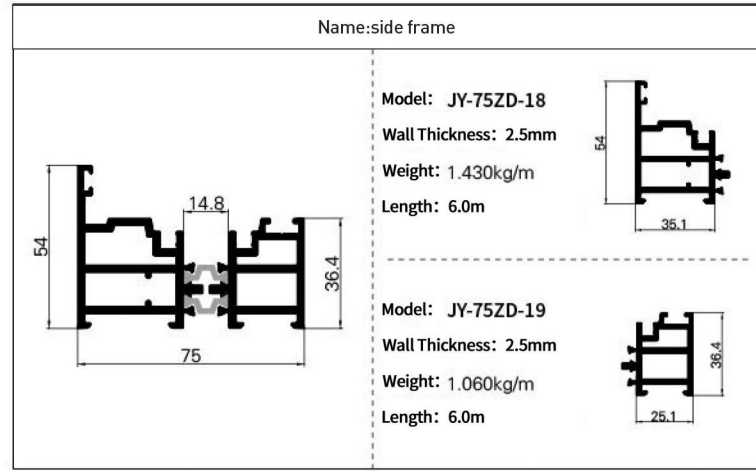




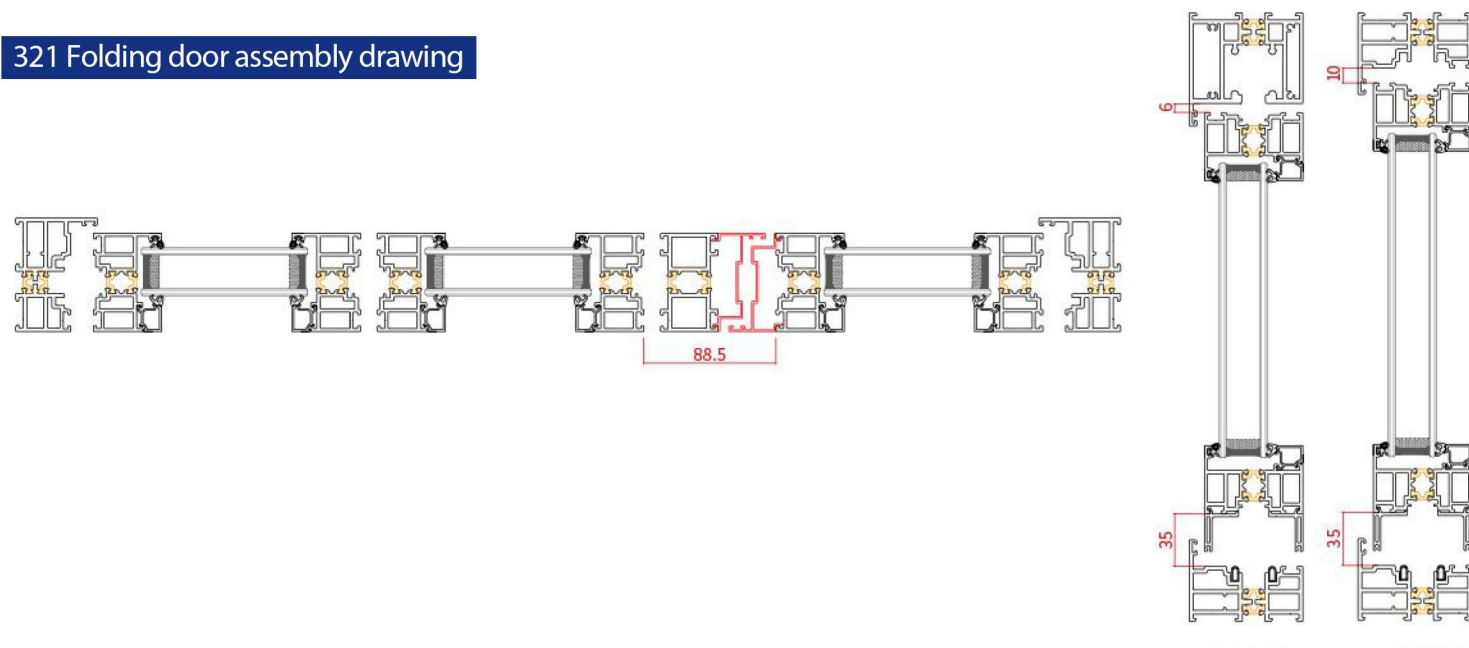
75 NARROW FOLDING DOOR (NON-THERMAL BREAK/THERMAL BREAK)  
SERIES SPOT COLOR:



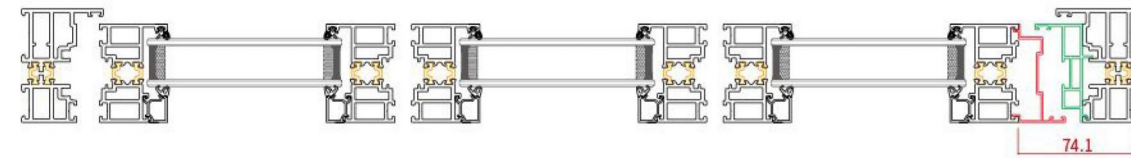
<p>Number: JY-75ZD-28 Name: Top track Weight: 3.210kg/m</p> <p>Wall Thickness: 2.5mm Length: 6.0m</p>	<p>Number: JY-75ZD-17 Name: side frame Weight: 1.918kg/m</p> <p>Wall Thickness: 2.0mm Length: 6.0m</p>	<p>Number: JY-75ZD-06 Name: lower bottom rail Weight: 0.915kg/m</p> <p>Wall Thickness: 1.8mm Length: 6.0m</p>
<p>Number: JY-75ZD-26 Name: Center column Weight: 1.740kg/m</p> <p>Wall Thickness: 2.5mm Length: 6.0m</p>	<p>Number: JY-75ZD-29 Name: lower brackets accessories Weight: 0.276kg/m</p> <p>Wall Thickness: 1.5mm Length: 6.0m</p>	<p>Number: JY-75ZD-31 Name: side frame collision cover Weight: 0.736kg/m</p> <p>Wall Thickness: 1.5mm Length: 6.0m</p>
<p>Number: JY-75ZD-04 Name: door frame collision cover Weight: 0.441kg/m</p> <p>Wall Thickness: 1.4mm Length: 6.0m</p>	<p>Number: YC-CDG Name: Flat aluminium transmission rods Weight: 0.090kg/m</p> <p>Wall Thickness: 1.2mm Length: 6.0m</p>	<p>Number: JY-75ZD-09 Name: 45 degrees converter Weight: 1.081kg/m</p> <p>Wall Thickness: 1.5mm Length: 6.0m</p>
<p>Number: JY-75ZD-23 Name: door frame Line of pressure Weight: 0.207kg/m</p> <p>Wall Thickness: 1.3mm Length: 6.0m</p>	<p>Number: JY-75ZD-29 Name: lower brackets accessories Weight: 0.276kg/m</p> <p>Wall Thickness: 1.5mm Length: 6.0m</p>	



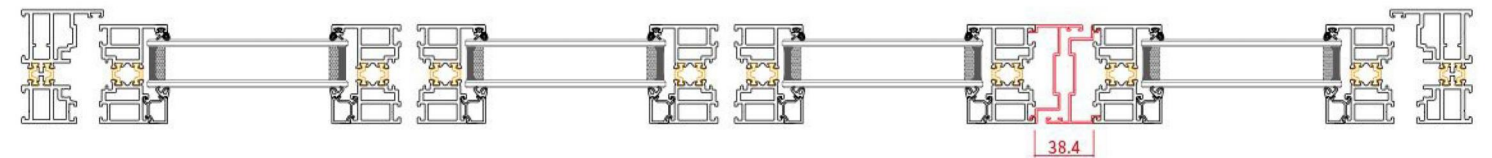
321 Folding door assembly drawing



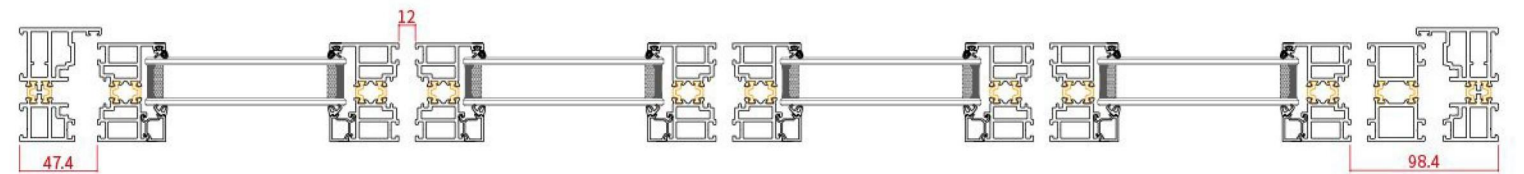
330 Folding door assembly drawing



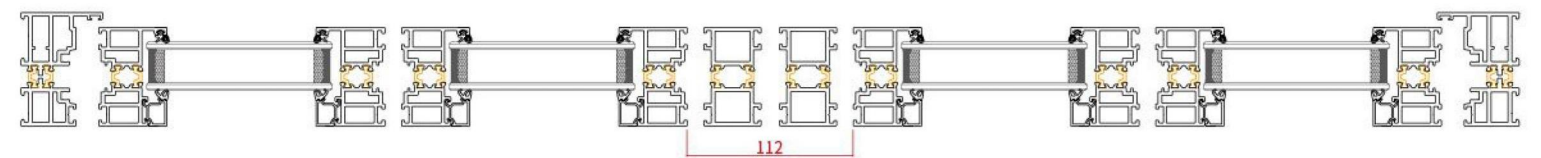
431 Folding door assembly drawing



440 Folding door assembly drawing

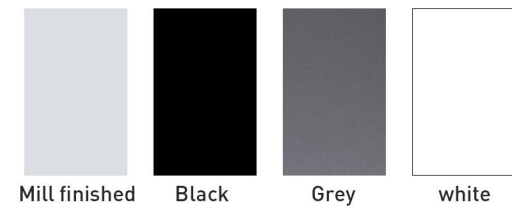


422 Folding door assembly drawing

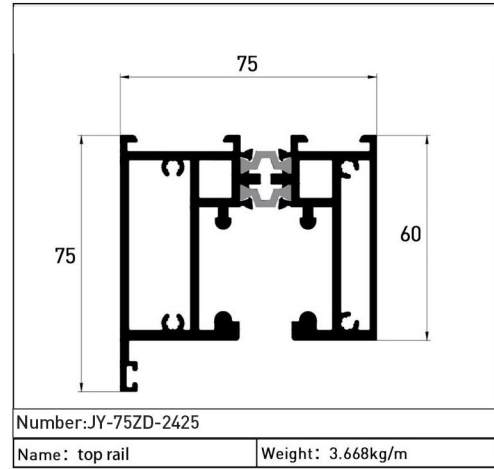




75 SPLIT FOLDING DOOR (NON-THERMAL BREAK/THERMAL BREAK)  
SERIES SPOT COLOR:

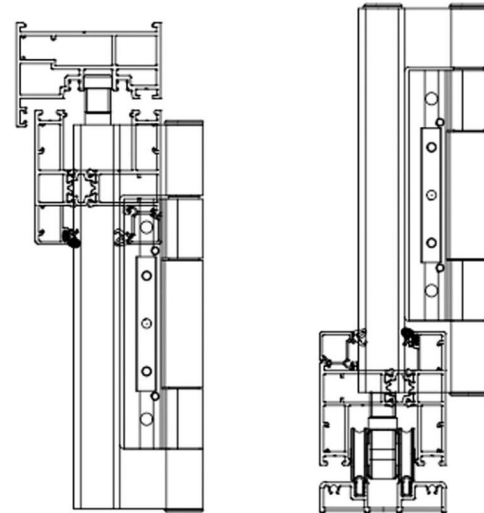
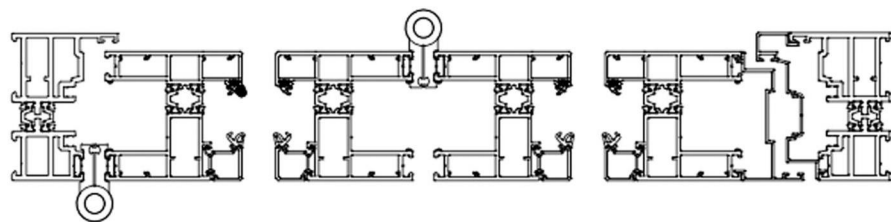


<p>Number: JY-75ZD-1819 Name: side frame Weight: 2.713 kg/m</p>	<p>Number: JY-WB-02 Name: door frame Weight: 2.005kg/m</p>	<p>Number: JY-75ZD-23 Name: door frame Line of pressure Weight: 0.211kg/m</p>
<p>Number: JY-75ZD-06 Name: lower bottom rail Weight: 0.0kg/m</p>	<p>Number: JY-75ZD-04 Name: door frame collision cover Weight: 0.463kg/m</p>	<p>Number: JY-75ZD-31 Name: side frame collision cover Weight: 0.529kg/m</p>
<p>Number: JY-75ZD-03 Name: drive box Weight: 0.389kg/m</p>	<p>Number: YC-CDG Name: drive bar Weight: 0.093kg/m</p>	<p>Number: JY-75ZD-2222 Name: center column Weight: 1.928kg/m</p>
<p>Number: JY-WB-0304 Name: door frame Weight: 2.274kg/m</p>	<p>Number: JY-75ZD-1819 Name: side frame Weight: 2.713kg/m</p>	<p>Number: JY-WB-0121 Name: door frame Weight: 2.069kg/m</p>

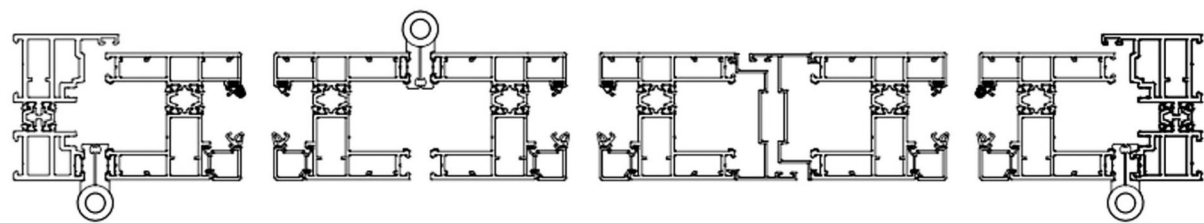


THERMAL BREAK ASSEMBLYDRAWING

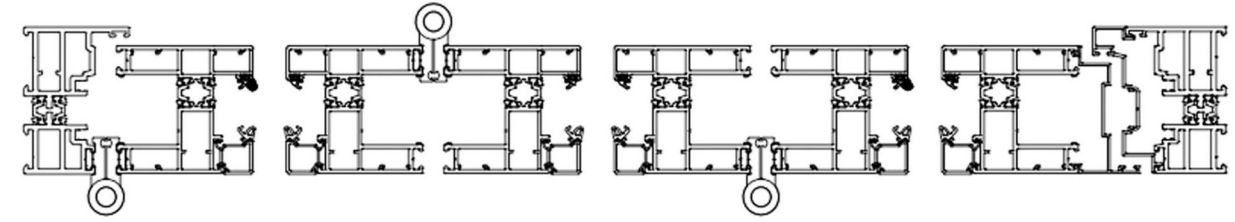
220 Folding door assembly drawing



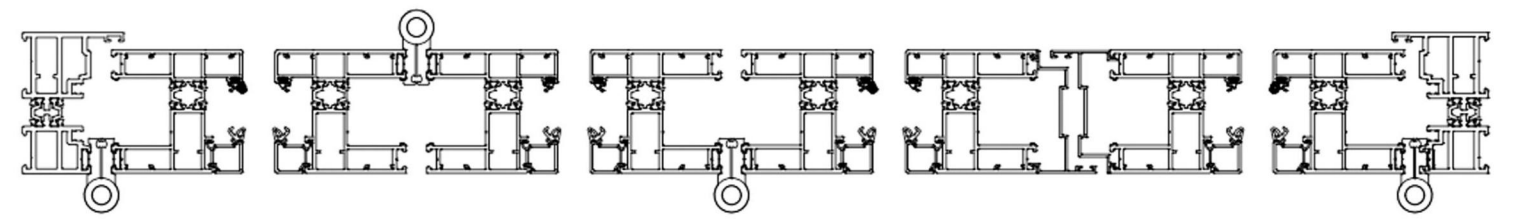
321 Folding door assembly drawing



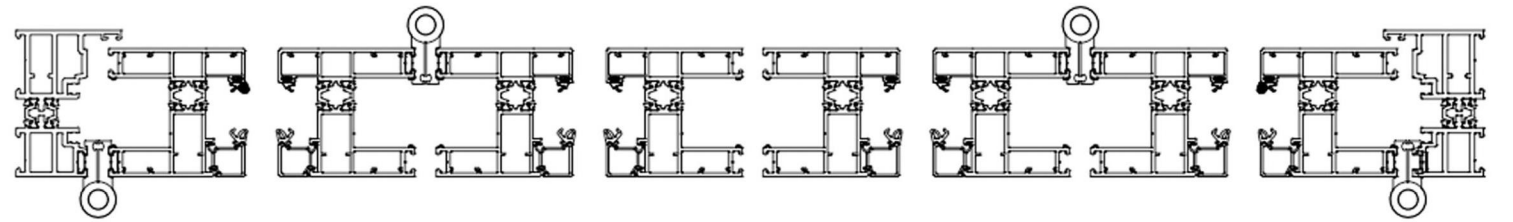
330 Folding door assembly drawing



431 Folding door assembly drawing

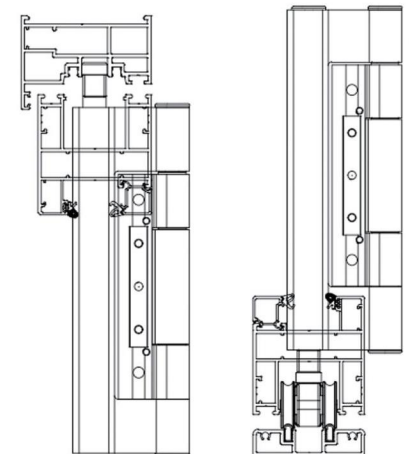
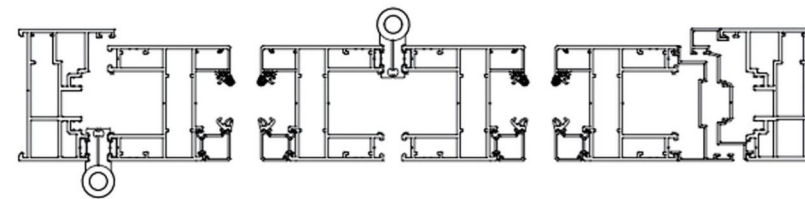


422 Folding door assembly drawing

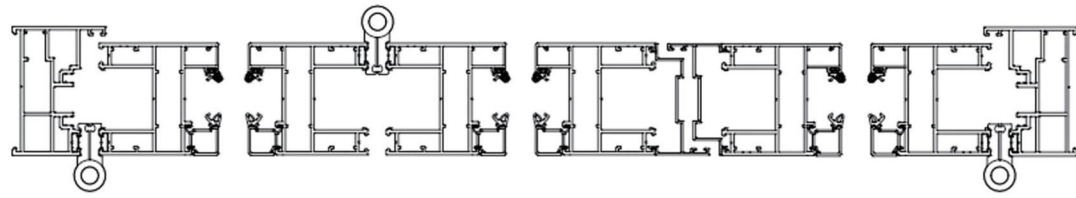


NON-THERMAL BREAK ASSEMBLYDRAWING

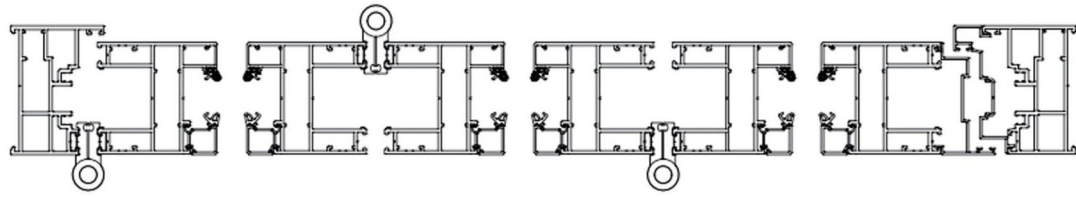
220 Folding door assembly drawing



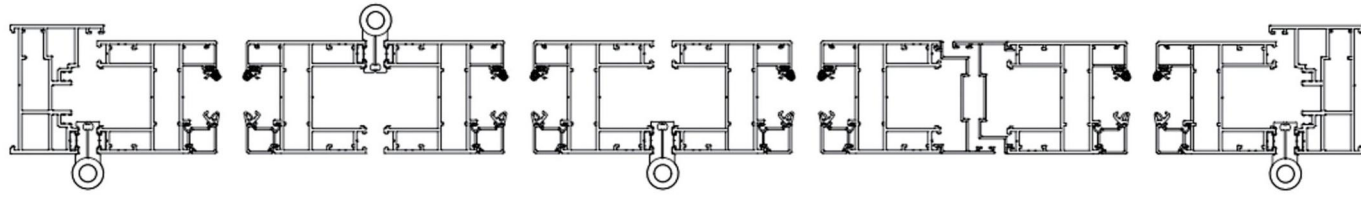
321 Folding door assembly drawing



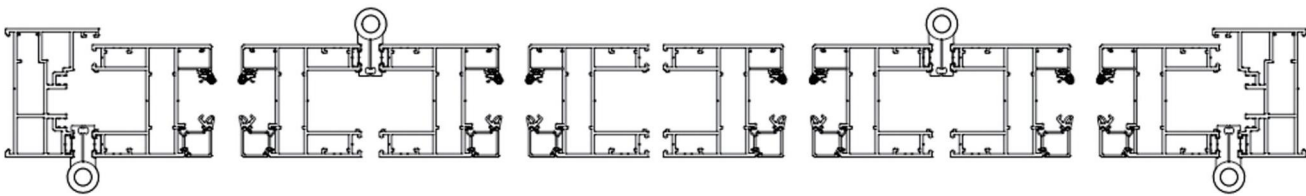
430 Folding door assembly drawing



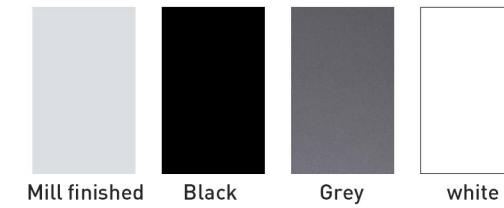
431 Folding door assembly drawing

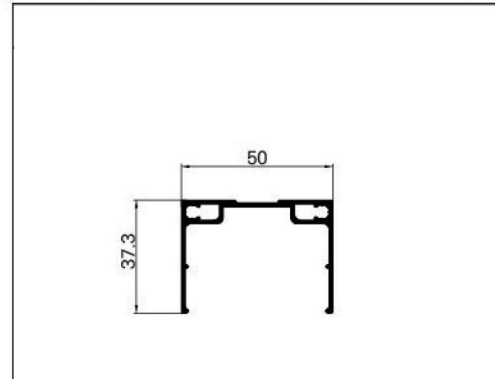


422 Folding door assembly drawing

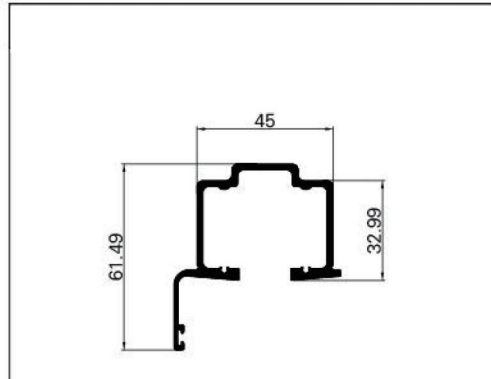


62 LARGE FOLDING DOOR SERIES SPOT COLOR:

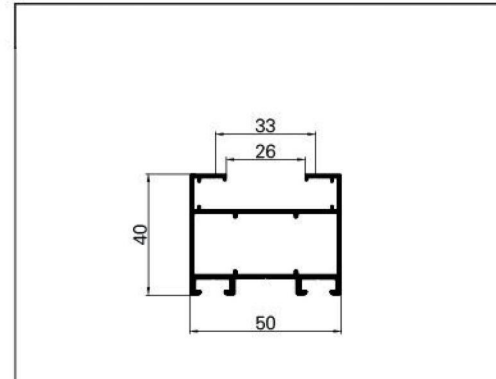




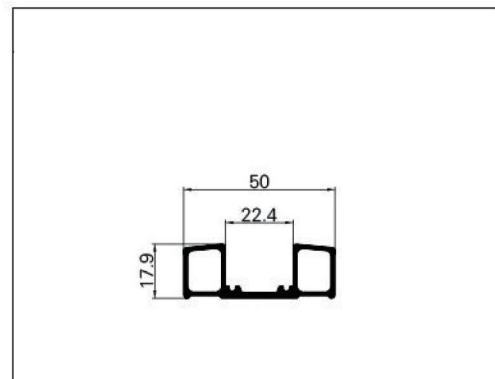
Number: JY-62ZD-01	
Name: Top track cover	Wall Thickness: 1.2mm
Weight: 0.622kg/m	Length: 5.5m



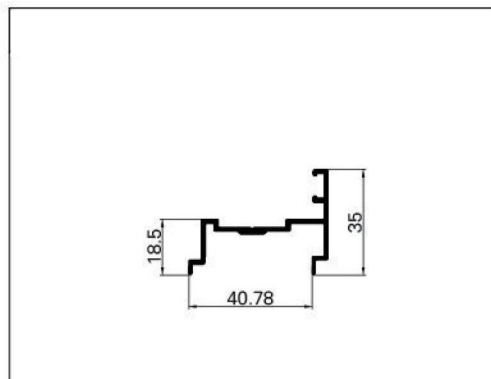
Number: JY-62ZD-02	
Name: Top track	Wall Thickness: 2.0mm
Weight: 1.030kg/m	Length: 6.0m



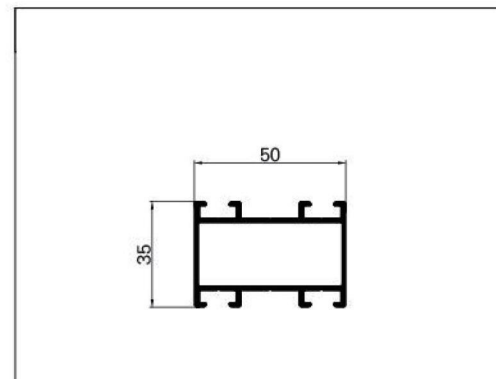
Number: JY-62ZD-03	
Name: door frame	Wall Thickness: 1.3mm
Weight: 0.856kg/m	Length: 6.0m



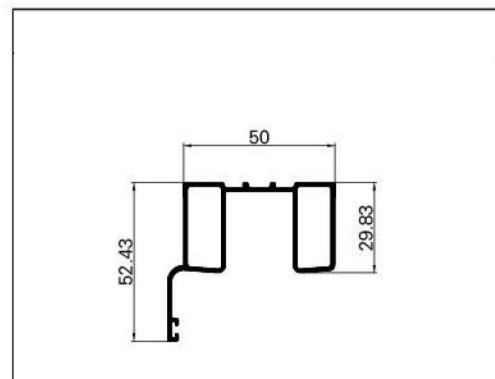
Number: JY-62ZD-04	
Name: bottom rail	Wall Thickness: 1.3mm
Weight: 0.584kg/m	Length: 6.0m



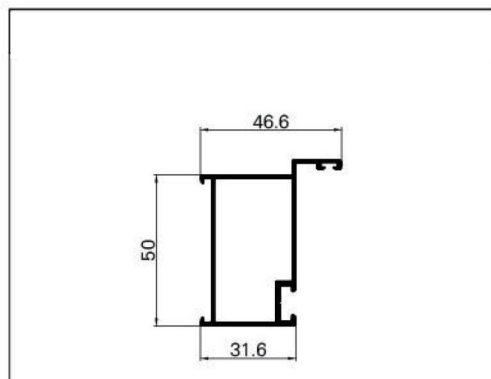
Number: JY-62ZD-05	
Name: collision cover	Wall Thickness: 1.2mm
Weight: 0.429kg/m	Length: 6.0m



Number: JY-62ZD-06	
Name: small Center column	Wall Thickness: 1.3mm
Weight: 0.855kg/m	Length: 6.0m

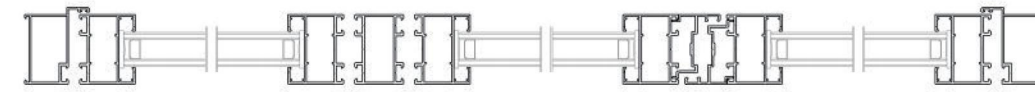


Number: JY-62ZD-07	
Name: Top track	Wall Thickness: 1.3mm
Weight: 0.788kg/m	Length: 6.0m



Number: JY-62ZD-08	
Name: side frame	Wall Thickness: 1.3mm
Weight: 0.706kg/m	Length: 6.0m

321 Folding door assembly drawing



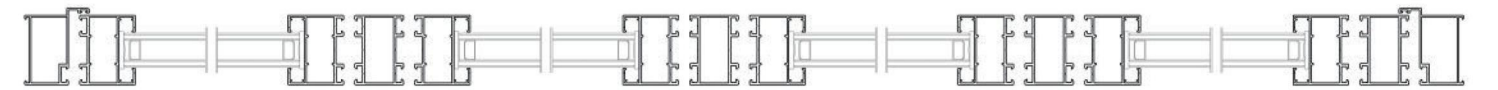
330 Folding door assembly drawing



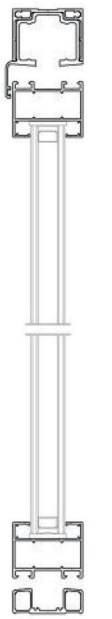
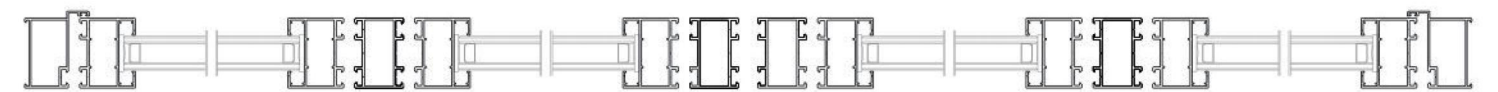
431 Folding door assembly drawing



440 Folding door assembly drawing



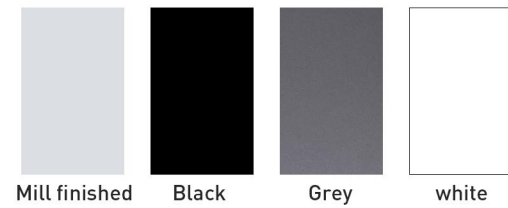
422 Folding door assembly drawing

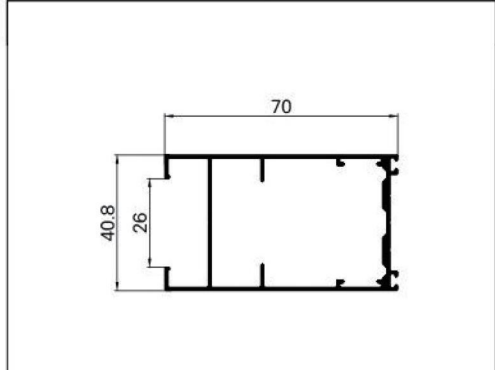
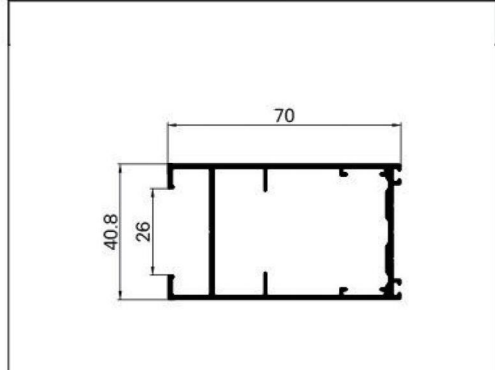
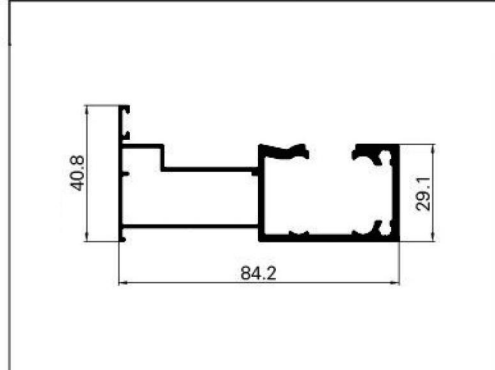
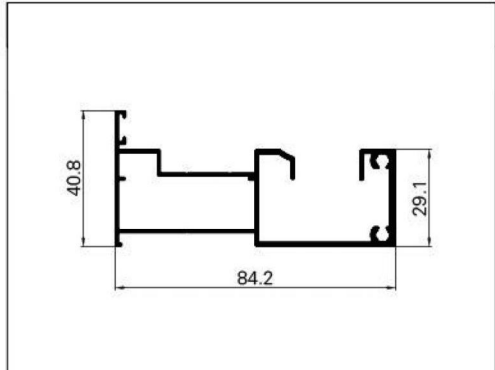
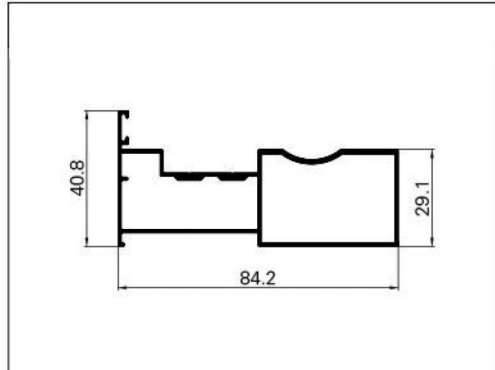
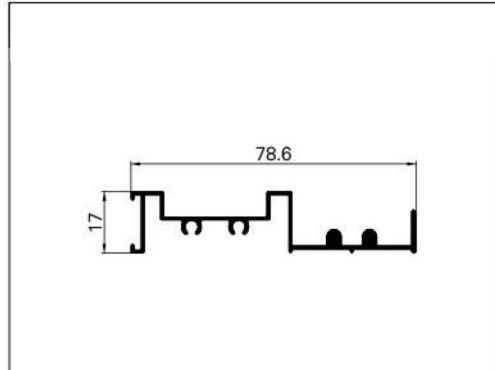
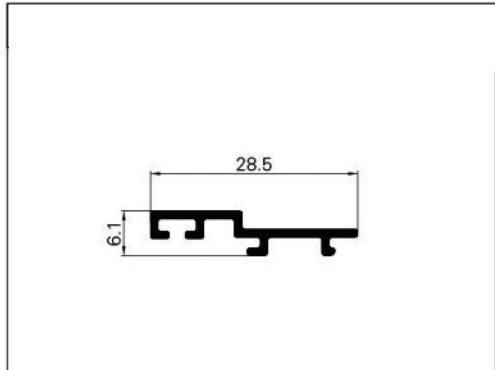
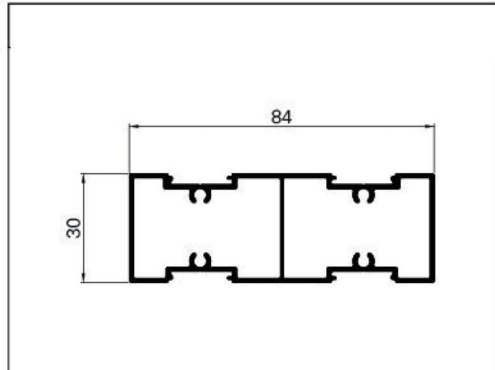
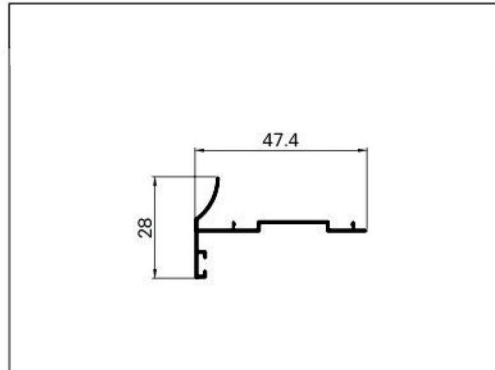
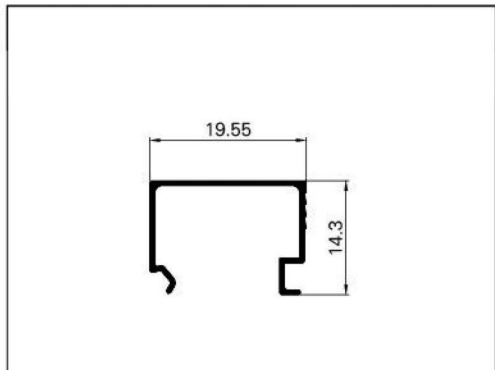
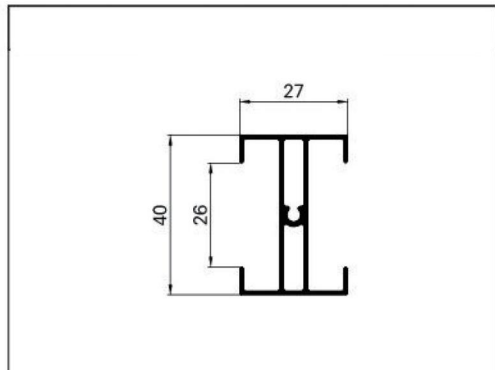


Assembly scheme

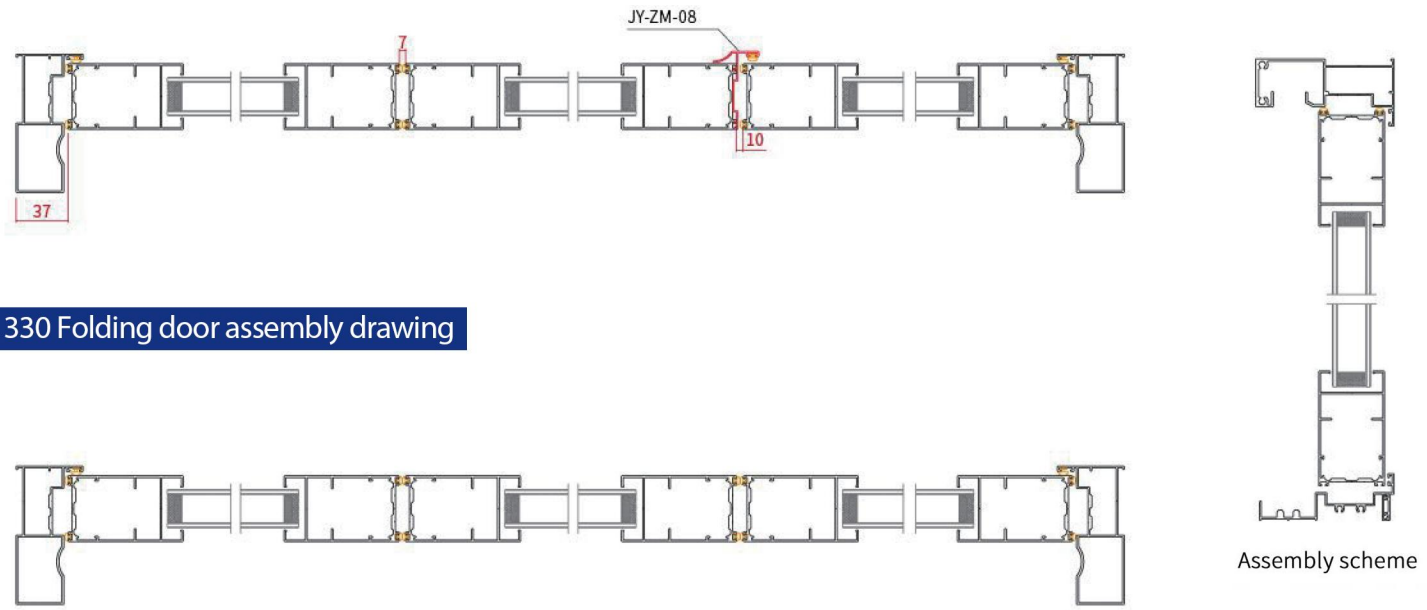


70 LARGE FOLDING DOOR SERIES SPOT COLOR:

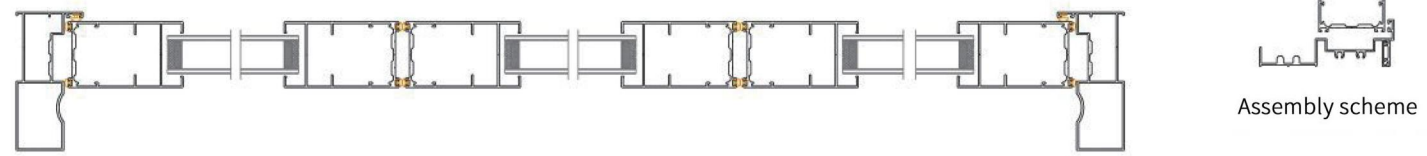


		
Number: JY-ZM-01 Name: door frame      Wall Thickness: 1.2mm Weight: 0.827kg/m      Length: 6.0m	Number: JY-ZM-09 Name: door frame      Wall Thickness: 1.5mm Weight: 1.010kg/m      Length: 6.0m	Number: JY-ZM-02 Name: Top track      Wall Thickness: 1.9mm Weight: 1.168kg/m      Length: 6.0m
		
Number: JY-ZM-03 Name: Top track      Wall Thickness: 1.8mm Weight: 0.925kg/m      Length: 6.0m	Number: JY-ZM-04 Name: side frame      Wall Thickness: 1.0mm Weight: 0.863kg/m      Length: 4.8m/5.2m	Number: JY-ZM-05 Name: bottom rail      Wall Thickness: 0.9mm Weight: 0.509kg/m      Length: 6.0m
		
Number: JY-ZM-06 Name: Top track Accessories      Wall Thickness: 1.0mm Weight: 0.137kg/m      Length: 6.0m	Number: JY-ZM-07 Name: Center column      Wall Thickness: 1.2mm Weight: 1.006kg/m      Length: 6.0m	Number: JY-ZM-08 Name: collision cover      Wall Thickness: 0.8mm Weight: 0.203kg/m      Length: 5.2m
		
Number: YC-8826X Name: burclose With windows      Wall Thickness: 0.6mm Weight: 0.090kg/m      Length: 6.0m	Number: JY-MH-44 Name: Center column      Wall Thickness: 1.0mm Weight: 0.456kg/m      Length: 6.0m	

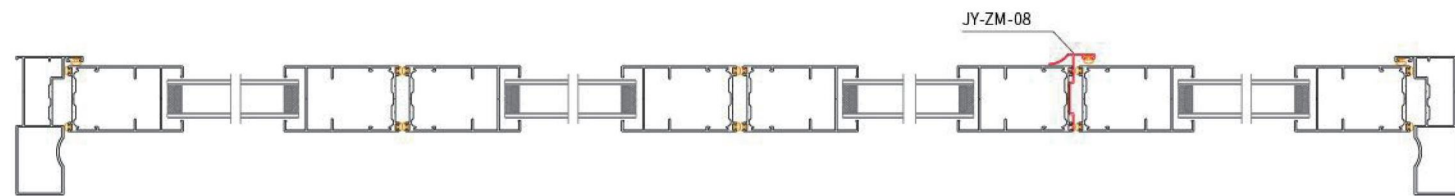
321 Folding door assembly drawing



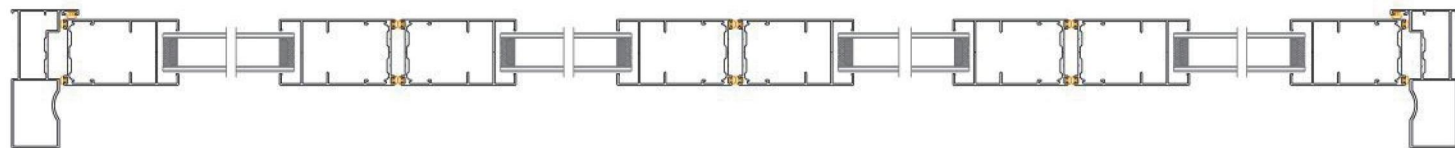
330 Folding door assembly drawing



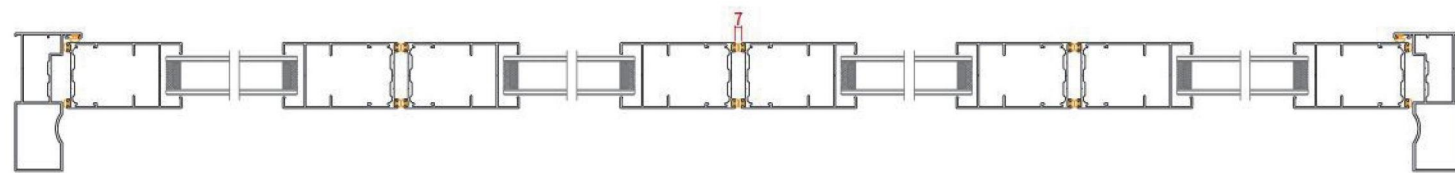
431 Folding door assembly drawing



440 Folding door assembly drawing



422 Folding door assembly drawing



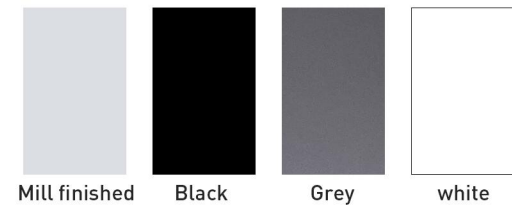
70 large folding door accessories





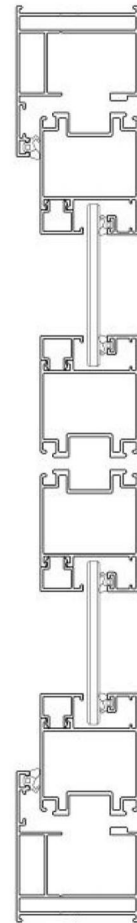


45/50/60TOPFOLDING WINDOW SERIES SPOT COLOR:

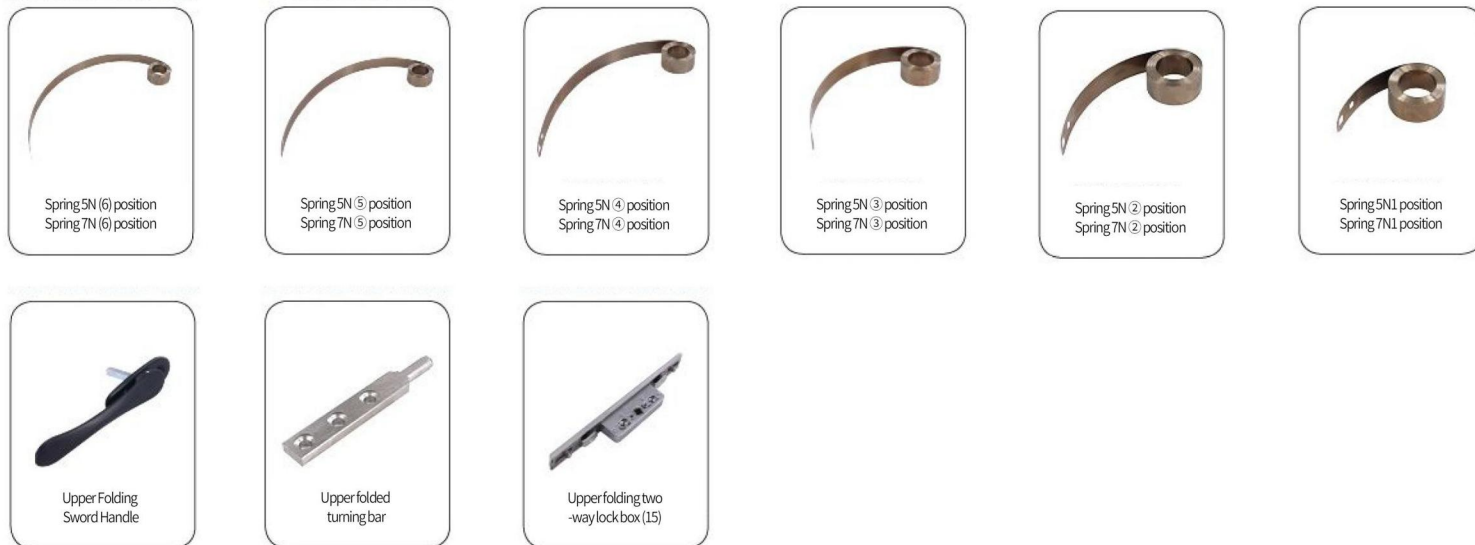


<p>Number:YC-SZ-4501 Name: 45 side frame    Wall Thickness: 1.0mm Weight: 0.705kg/m    Length: 6.0m</p>	<p>Number:YC-SZ-4502 Name: 45 door frame    Wall Thickness: 1.0mm Weight: 0.596kg/m    Length: 6.0m</p>	<p>Number:YC-SZ-4504 Name: 45 Center column    Wall Thickness: 1.2mm Weight: 0.556kg/m    Length: 6.0m</p>
<p>Number:YC-SZ-5001 Name: 50 side frame    Wall Thickness: 1.2mm Weight: 1.011kg/m    Length: 6.0m</p>	<p>Number:YC-SZ-5002 Name: 50 door frame    Wall Thickness: 1.4mm Weight: 0.843kg/m    Length: 6.0m</p>	<p>Number:YC-SZ-5004 Name: 50 Center column    Wall Thickness: 1.2mm Weight: 0.668kg/m    Length: 6.0m</p>
<p>Number:YC-SZ-6001 Name: 60 side frame    Wall Thickness: 1.7mm Weight: 1.251kg/m    Length: 6.0m</p>	<p>Number:YC-SZ-6002 Name: 60 door frame    Wall Thickness: 1.4mm Weight: 0.873kg/m    Length: 6.0m</p>	<p>Number:YC-SZ-6004 Name: 60 Center column    Wall Thickness: 1.2mm Weight: 0.724kg/m    Length: 6.0m</p>
<p>Number:YC-SZ-4503 Name: burclose 1    Wall Thickness: 1.0mm Weight: 0.114kg/m    Length: 6.0m</p>	<p>Number:YC-SZ-5003 Name: burclose 2    Wall Thickness: 1.0mm Weight: 0.152kg/m    Length: 6.0m</p>	

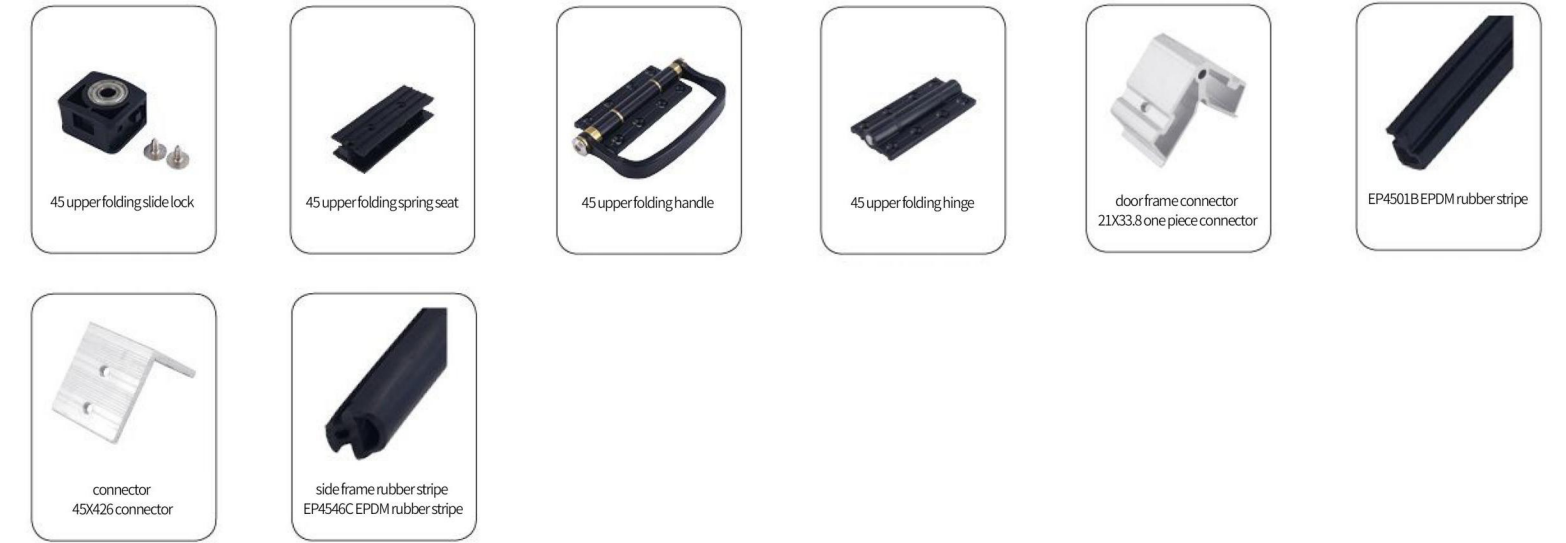
Assembly drawings



accessories



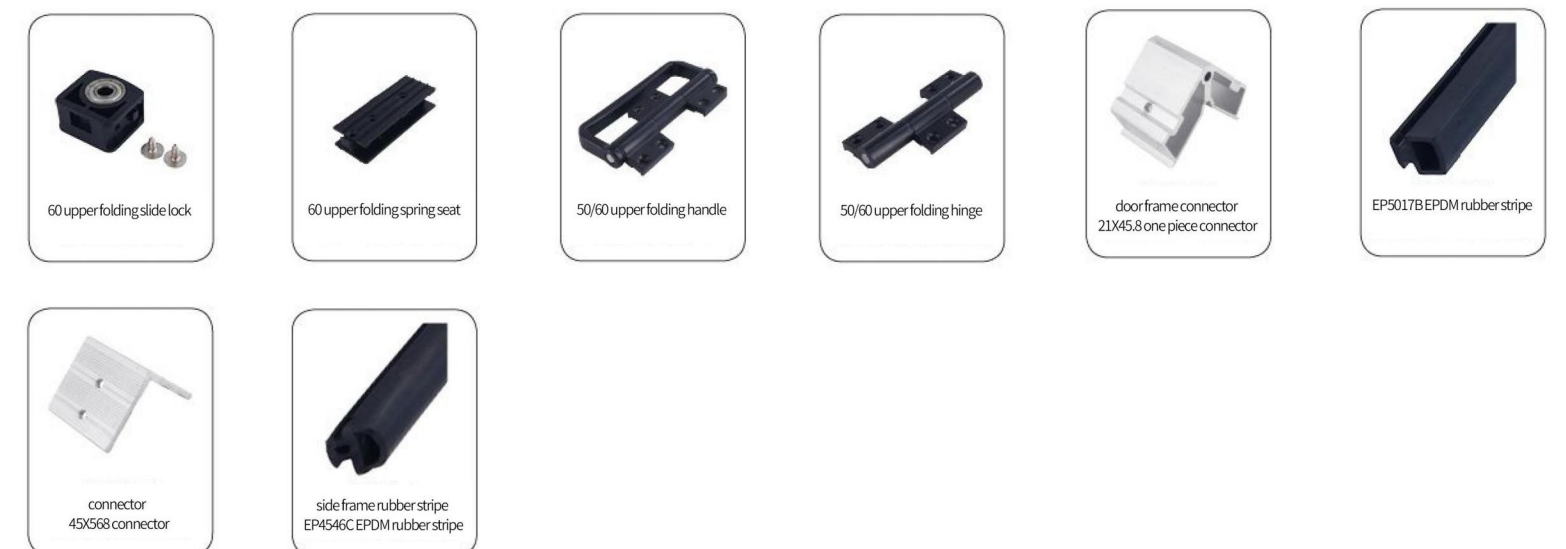
45 Folding Window Accessories



50 Folding Window Accessories

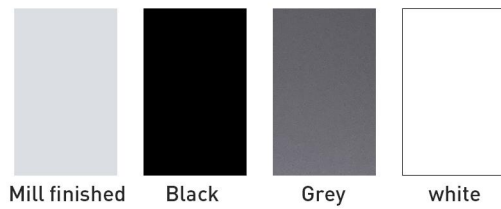


60 Folding Window Accessories





ZP150 PATENTED LIFTING BALCONY WINDOW SERIES SPOT COLOR:



Mill finished Black Grey white

<p>Name:upper frame</p> <p>Model: JY-15001-A Wall Thickness: 2.0mm Weight: 3.150kg/m Length: 5.2/4m</p> <p>Model: JY-15001-B Wall Thickness: 2.0mm Weight: 0.814kg/m Length: 5.2/4m</p>	<p>Name:bottom frame</p> <p>Model: JY-15002-A Wall Thickness: 2.0mm Weight: 1.001kg/m Length: 5.2/4m</p> <p>Model: JY-15002-B Wall Thickness: 2.0mm Weight: 1.584kg/m Length: 5.2/4m</p>
<p>Name:side frame</p> <p>Model: JY-15003-A Wall Thickness: 2.0mm Weight: 0.908kg/m Length: 5.2m</p> <p>Model: JY-15003-B Wall Thickness: 2.0mm Weight: 2.355kg/m Length: 5.2m</p>	<p>Name:side frame centre piece</p> <p>Model: JY-15004-A Wall Thickness: 2.0mm Weight: 1.188kg/m Length: 5.2m</p> <p>Model: JY-15004-B Wall Thickness: 2.0mm Weight: 1.821kg/m Length: 5.2m</p>
<p>Name:door frame</p> <p>Model: JY-15005-A Wall Thickness: 2.6mm Weight: 0.547kg/m Length: 6.0m</p> <p>Model: JY-15005-B Wall Thickness: 3.0mm Weight: 1.617kg/m Length: 6.0m</p>	<p>Name:hooks for the horizontal door frame</p> <p>Model: JY-15007-A Wall Thickness: 2.0mm Weight: 0.908kg/m Length: 4.0m</p> <p>Model: JY-15007-B Wall Thickness: 3.0mm Weight: 1.617kg/m Length: 4.0m</p>
<p>Name:Reinforcement hooks for the horizontal door frame</p> <p>Model: JY-15007-A Wall Thickness: 2.0mm Weight: 0.908kg/m Length: 5.2m</p> <p>Model: JY-15007-B Wall Thickness: 3.0mm Weight: 2.762kg/m Length: 5.2m</p>	<p>Name:Reinforced door frame</p> <p>Model: JY-15005-A Wall Thickness: 2.6mm Weight: 0.547kg/m Length: 6.0m</p> <p>Model: JY-15007-B Wall Thickness: 3.0mm Weight: 2.762kg/m Length: 6.0m</p>

Name: upper frame

Model: JY-15010-A  
Wall Thickness: 2.0mm  
Weight: 1.676kg/m  
Length: 4.6m

Model: JY-15010-B  
Wall Thickness: 2.0mm  
Weight: 0.526kg/m  
Length: 4.6m

Name: Centre cross

Model: JY-15009-A  
Wall Thickness: 2.0mm  
Weight: 0.981kg/m  
Length: 5.2m

Model: JY-15009-B  
Wall Thickness: 3.0mm  
Weight: 2.940kg/m  
Length: 5.2m

Name: Reinforced door frame

Model: JY-15019-A  
Wall Thickness: 2.0mm  
Weight: 1.715kg/m  
Length: 5.2m

Model: JY-15003-B  
Wall Thickness: 2.0mm  
Weight: 2.355kg/m  
Length: 5.2m

Name: Reinforced door frame

Model: JY-15005-A  
Wall Thickness: 2.6mm  
Weight: 0.547kg/m  
Length: 6.0m

Model: JY-15020-B  
Wall Thickness: 3.0mm  
Weight: 2.628kg/m  
Length: 6.0m

Name: Reinforcement hooks for the horizontal door frame

Model: JY-15007-A  
Wall Thickness: 2.0mm  
Weight: 0.908kg/m  
Length: 5.2m

Model: JY-15020-B  
Wall Thickness: 3.0mm  
Weight: 2.628kg/m  
Length: 5.2m

Name: Handrail face tube

Number: JY-68DQ-21  
Wall Thickness: 3.0mm  
Weight: 3.839kg/m  
Length: 5.2/4m

Number: JY-15011  
Name: door frame  
Wall Thickness: 1.5mm  
Weight: 0.356kg/m  
Length: 5.2m

Number: JY-15013  
Name: Decorative cover plate  
Wall Thickness: 1.5mm  
Weight: 0.818kg/m  
Length: 5.1m

Number: JY-15014  
Name: Edge sealing  
Wall Thickness: 2.0mm  
Weight: 1.754kg/m  
Length: 4.6m

Number: JY-15015  
Name: Under thread  
Wall Thickness: 2.0mm  
Weight: 1.303kg/m  
Length: 4.6m

Number: JY-15016  
Name: Solid glass burclose  
Wall Thickness: 1.5mm  
Weight: 0.476kg/m  
Length: 5.2m

Number: JY-15017  
Name: Solid sand edging  
Wall Thickness: 1.5mm  
Weight: 0.282kg/m  
Length: 5.2m

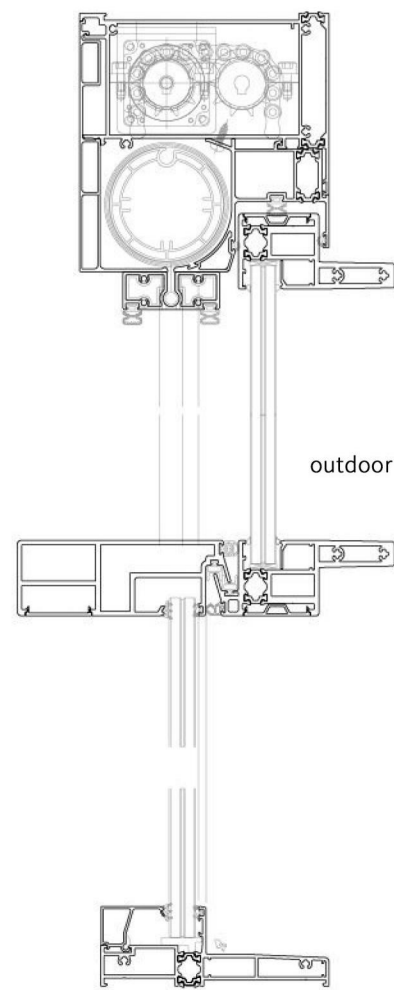
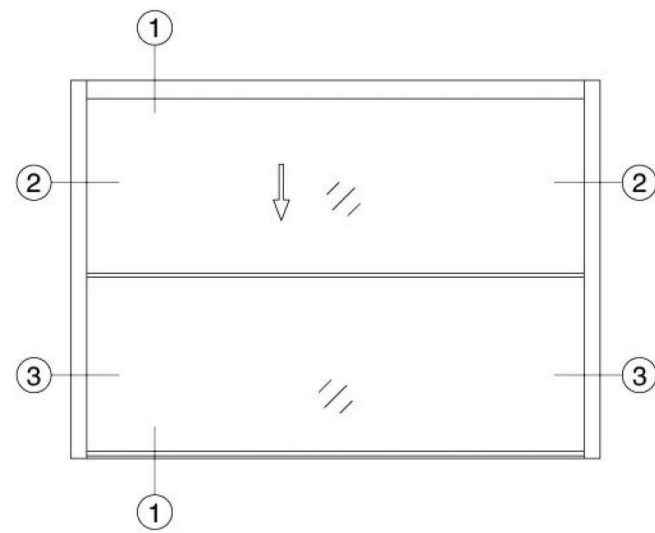
Number: JY-15018  
Name: Top frame edging  
Wall Thickness: 1.5mm  
Weight: 0.856kg/m  
Length: 5.2m

Number: JY-15022  
Name: Solid glass burclose  
Wall Thickness: 1.5mm  
Weight: 0.414kg/m  
Length: 5.2m

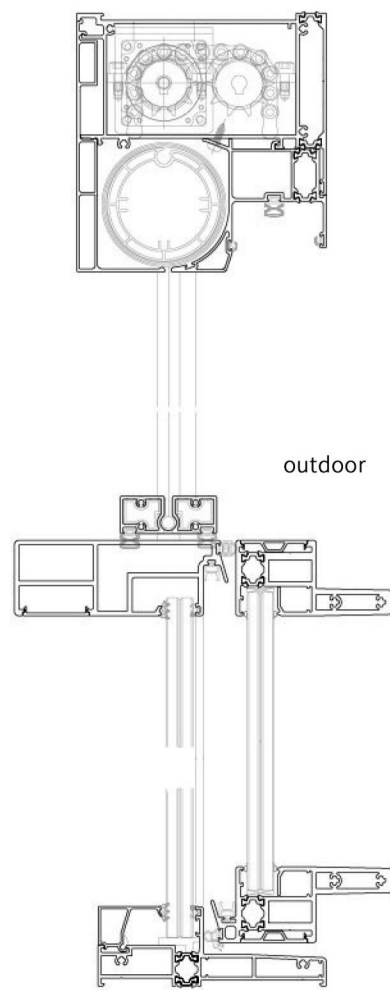
Number: JY-15023  
Name: Yarn free edging  
Wall Thickness: 1.5mm  
Weight: 1.010kg/m  
Length: 5.2m

Number: JY-15024  
Name: No yarn closing  
Wall Thickness: 1.5mm  
Weight: 0.304kg/m  
Length: 5.2m

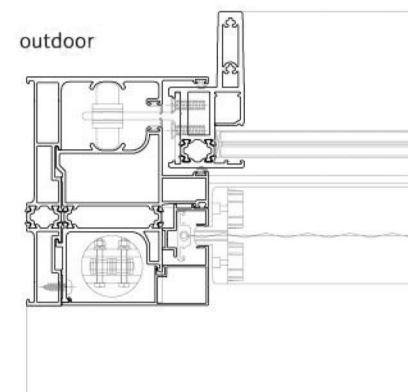
Configuration drawing of two lifting windows with yarn



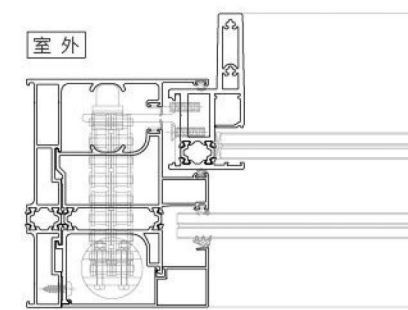
1-1 Profile (closed)



1-1 Profile (open)

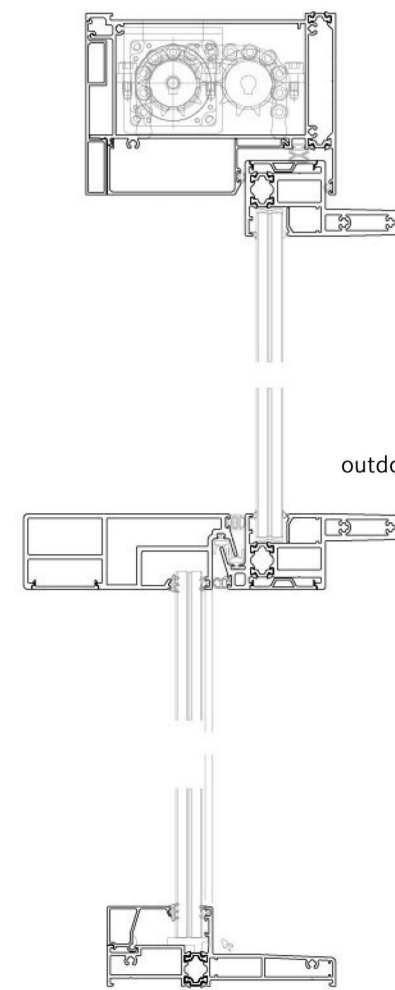
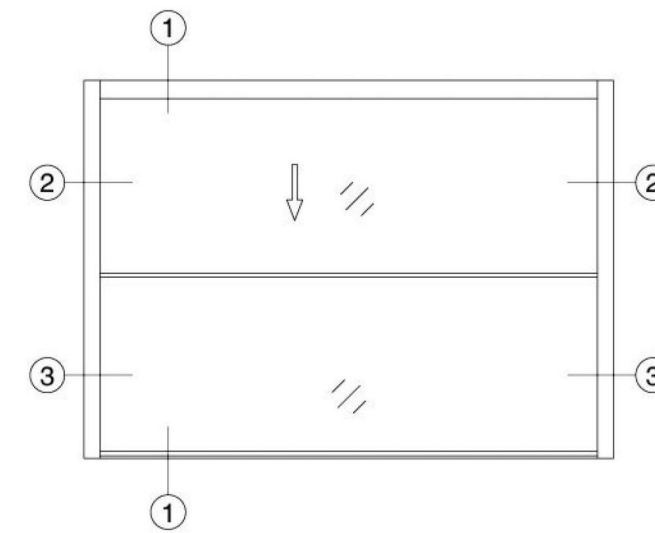


2-2 Profile (closed)

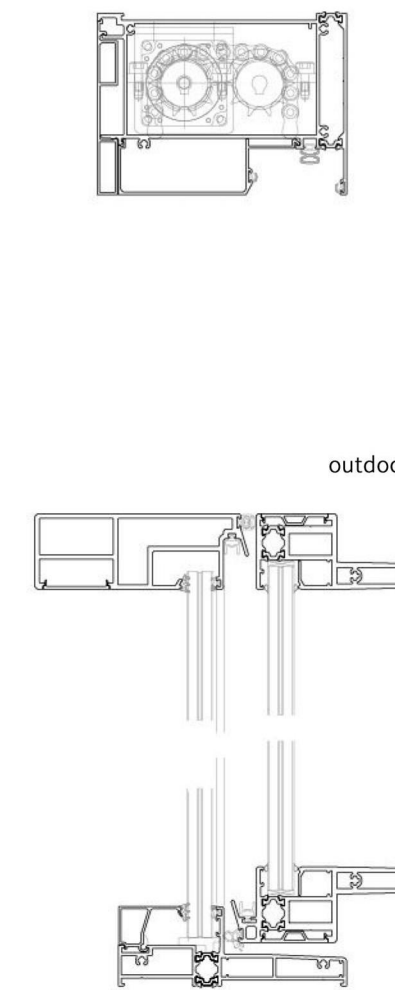


3-3 Profile (open)

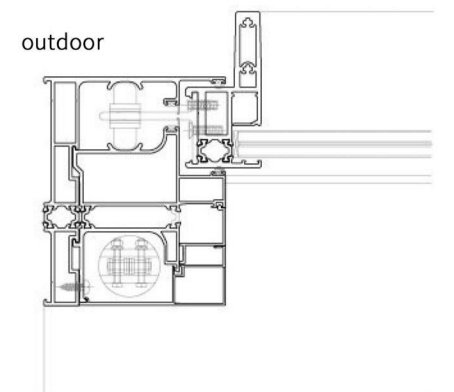
Configuration diagram of lifting window without yarn



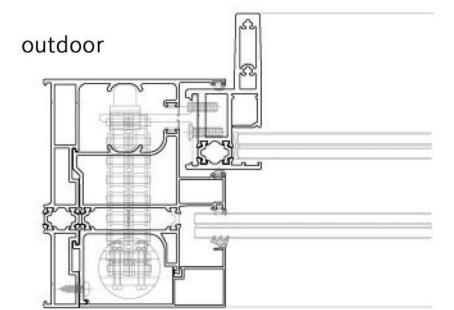
1-1 Profile (closed)



1-1 Profile (open)



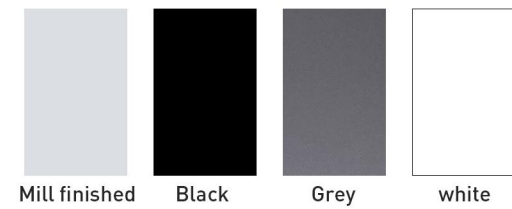
2-2 Profile (closed)



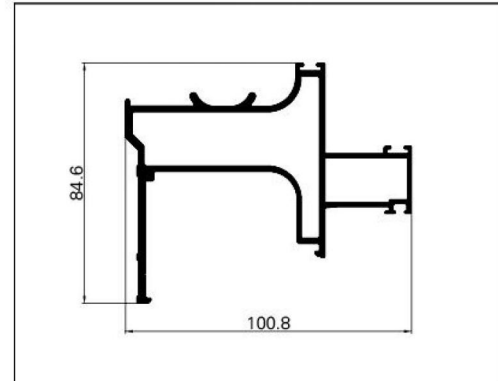
3-3 Profile (open)



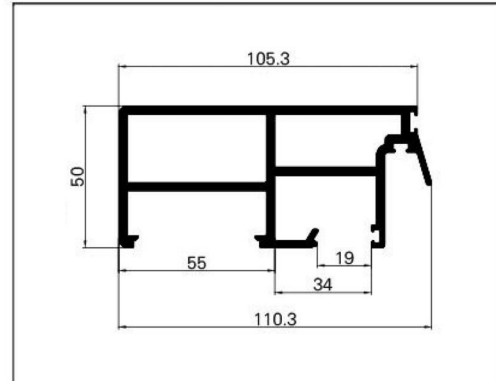
ZP120 PATENTED LIFTING BALCONY WINDOW SERIES SPOT COLOR:



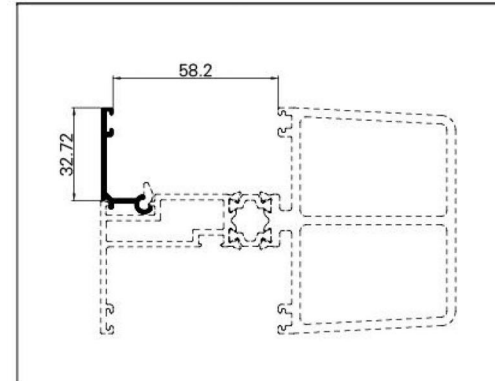
<p>Name:upper frame</p> <p>Model: JY-12001-A Wall Thickness: 2.0mm Weight: 2.500kg/m Length: 6.0m</p> <p>Model: JY-15001-B Wall Thickness: 2.0mm Weight: 0.814kg/m Length: 6.0m</p>	<p>Name:bottom frame</p> <p>Model: JY-12002-A Wall Thickness: 2.0mm Weight: 0.645kg/m Length: 6.0m</p> <p>Model: JY-15002-B Wall Thickness: 2.0mm Weight: 1.584kg/m Length: 6.0m</p>
<p>Name:side frame</p> <p>Model: JY-12003-A Wall Thickness: 2.0mm Weight: 0.510kg/m Length: 5.2m</p> <p>Model: JY-15003-B Wall Thickness: 2.0mm Weight: 2.355kg/m Length: 5.2m</p>	<p>Name:door frame</p> <p>Model: JY-15005-A Wall Thickness: 2.6mm Weight: 0.547kg/m Length: 6.0m</p> <p>Model: JY-15005-B Wall Thickness: 3.0mm Weight: 1.617kg/m Length: 6.0m</p>
<p>Name:hooks for the horizontal door frame</p> <p>Model: JY-15007-A Wall Thickness: 2.0mm Weight: 0.908kg/m Length: 4.0m</p> <p>Model: JY-15005-B Wall Thickness: 3.0mm Weight: 1.617kg/m Length: 4.0m</p>	<p>Name:Reinforced door frame</p> <p>Model: JY-15005-A Wall Thickness: 2.6mm Weight: 0.547kg/m Length: 6.0m</p> <p>Model: JY-15007-B Wall Thickness: 3.0mm Weight: 2.762kg/m Length: 6.0m</p>
<p>Name:Reinforcement hooks for the horizontal door frame</p> <p>Model: JY-15007-A Wall Thickness: 2.0mm Weight: 0.908kg/m Length: 5.2m</p> <p>Model: JY-15007-B Wall Thickness: 3.0mm Weight: 2.762kg/m Length: 5.2m</p>	<p>Name:Centre cross</p> <p>Model: JY-15009-A Wall Thickness: 2.0mm Weight: 0.981kg/m Length: 5.2m</p> <p>Model: JY-15009-B Wall Thickness: 3.0mm Weight: 2.940kg/m Length: 5.2m</p>



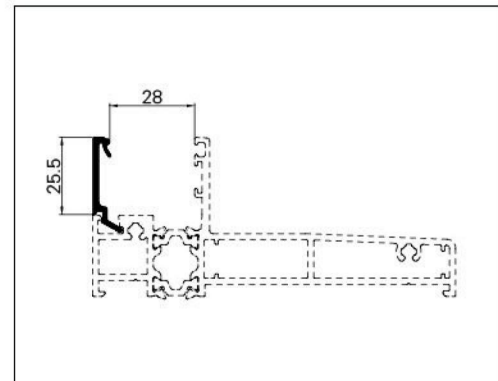
Number: JY-12004	
Name: side frame centre piece	Wall Thickness: 2.0mm
Weight: 2.214kg/m	Length: 5.2m



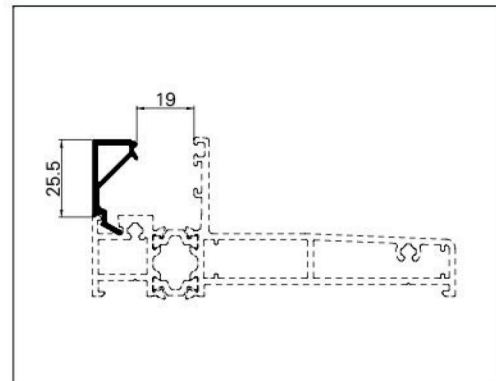
Number: JY-12008	
Name: Handrail face tube	Wall Thickness: 3.0mm
Weight: 3.105kg/m	Length: 6.0m



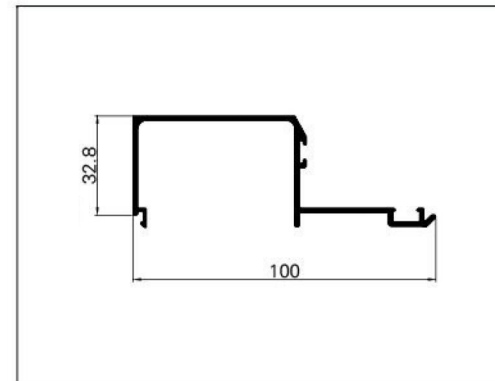
Number: JY-15017	
Name: Solid sand edging	Wall Thickness: 1.5mm
Weight: 0.282kg/m	Length: 5.2m



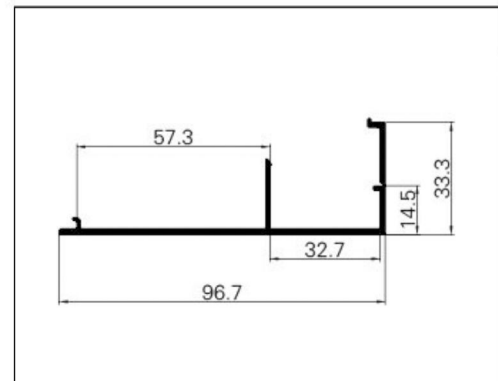
Number: JY-12022	
Name: Solid glass burclose	Wall Thickness: 1.8mm
Weight: 0.210kg/m	Length: 6.0m



Number: JY-12016	
Name: Solid glass burclose	Wall Thickness: 1.5mm
Weight: 0.281kg/m	Length: 6.0m

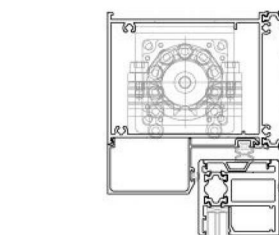
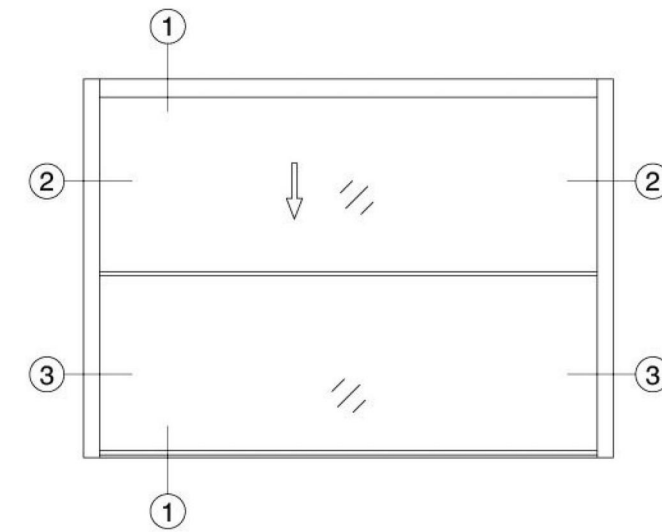


Number: JY-12018	
Name: Top frame edging	Wall Thickness: 1.5mm
Weight: 0.800kg/m	Length: 6.0m

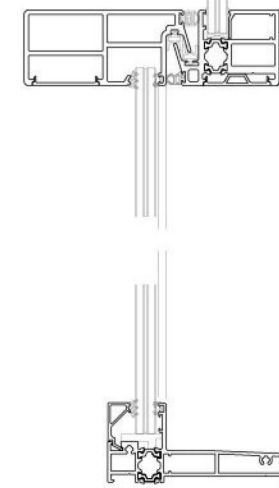


Number: JY-12013	
Name: Decorative cover plate	Wall Thickness: 1.5mm
Weight: 0.705kg/m	Length: 5.1m

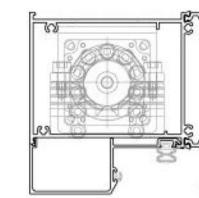
Configuration diagram of lifting window without yarn



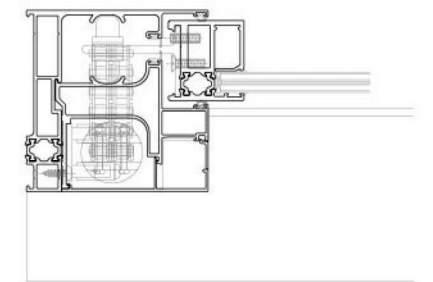
1-1 Profile (closed)



1-1 Profile (open)

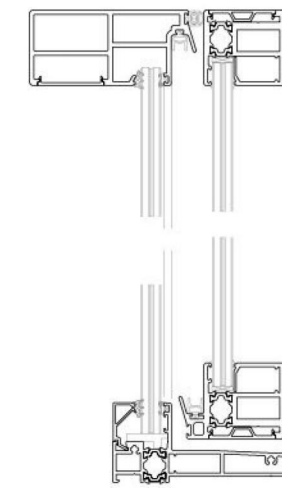


2-2 Profile (closed)

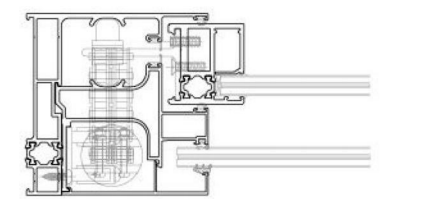


2-2 Profile (open)

1-1 Profile (open)



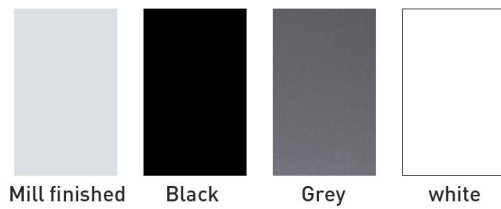
3-3 Profile (open)



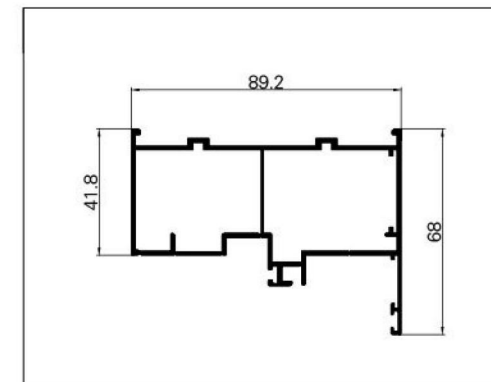
3-3 Profile (open)



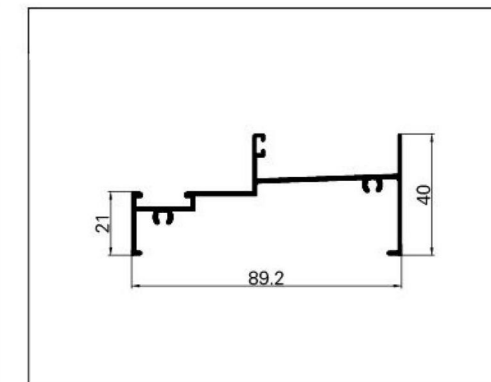
90 LIFT WINDOW SERIES SPOT COLOR:



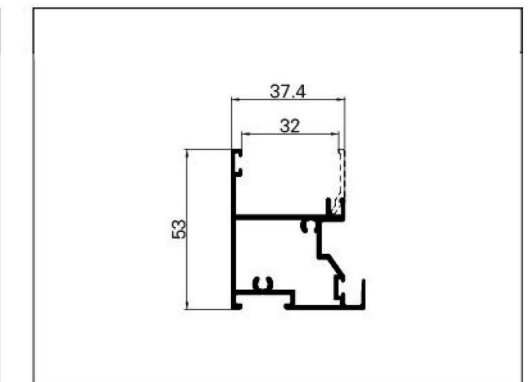
Mill finished Black Grey white



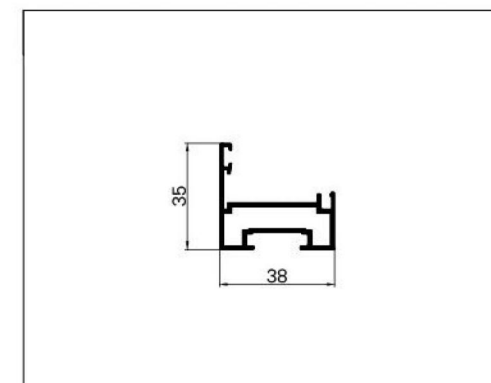
Number: JY-90ST-01	
Name: side frame	Wall Thickness: 1.4mm
Weight: 1.355kg/m	Length: 6.0m



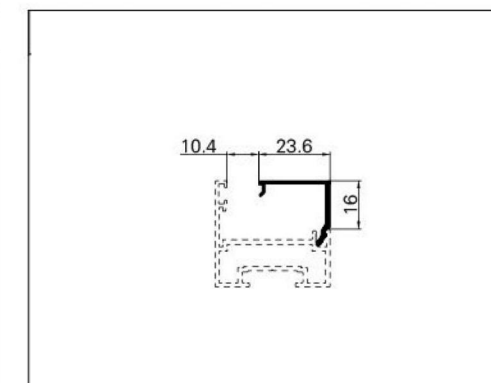
Number: JY-90ST-02	
Name: bottom track	Wall Thickness: 1.4mm
Weight: 0.756kg/m	Length: 6.0m



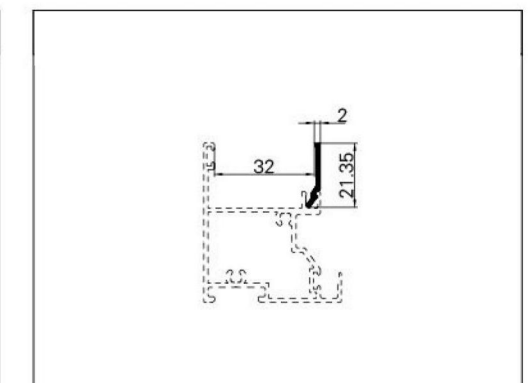
Number: JY-90ST-03	
Name: Lifting door frame	Wall Thickness: 1.4mm
Weight: 0.824kg/m	Length: 6.0m



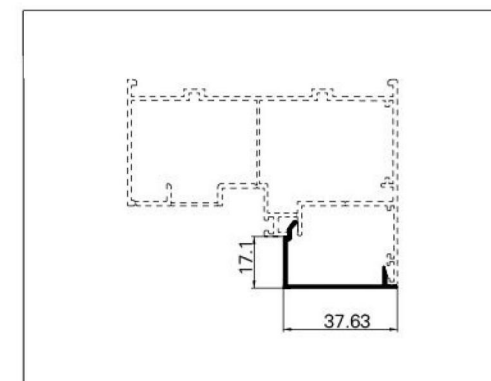
Number: JY-90ST-04	
Name: door frame	Wall Thickness: 1.4mm
Weight: 0.824kg/m	Length: 6.0m



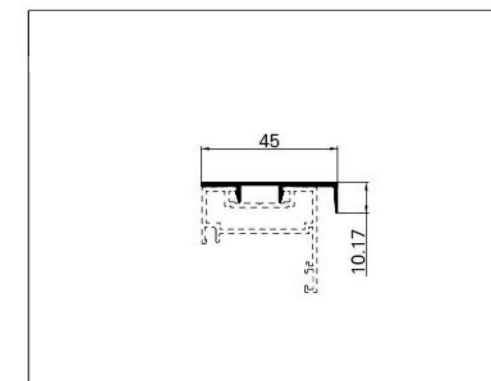
Number: JY-90ST-05	
Name: burclose	Wall Thickness: 1.4mm
Weight: 0.158kg/m	Length: 6.0m



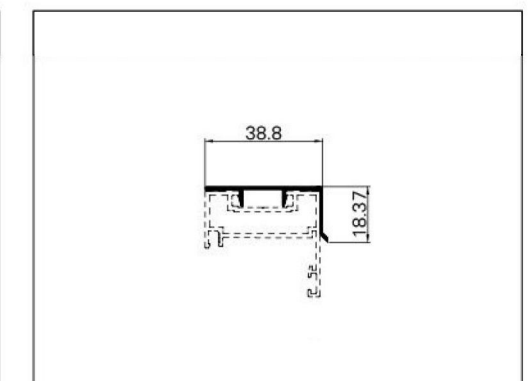
Number: JY-90ST-06	
Name: burclose	Wall Thickness: 1.4mm
Weight: 0.088kg/m	Length: 6.0m



Number: JY-90ST-07	
Name: burclose	Wall Thickness: 1.2mm
Weight: 0.088kg/m	Length: 6.0m



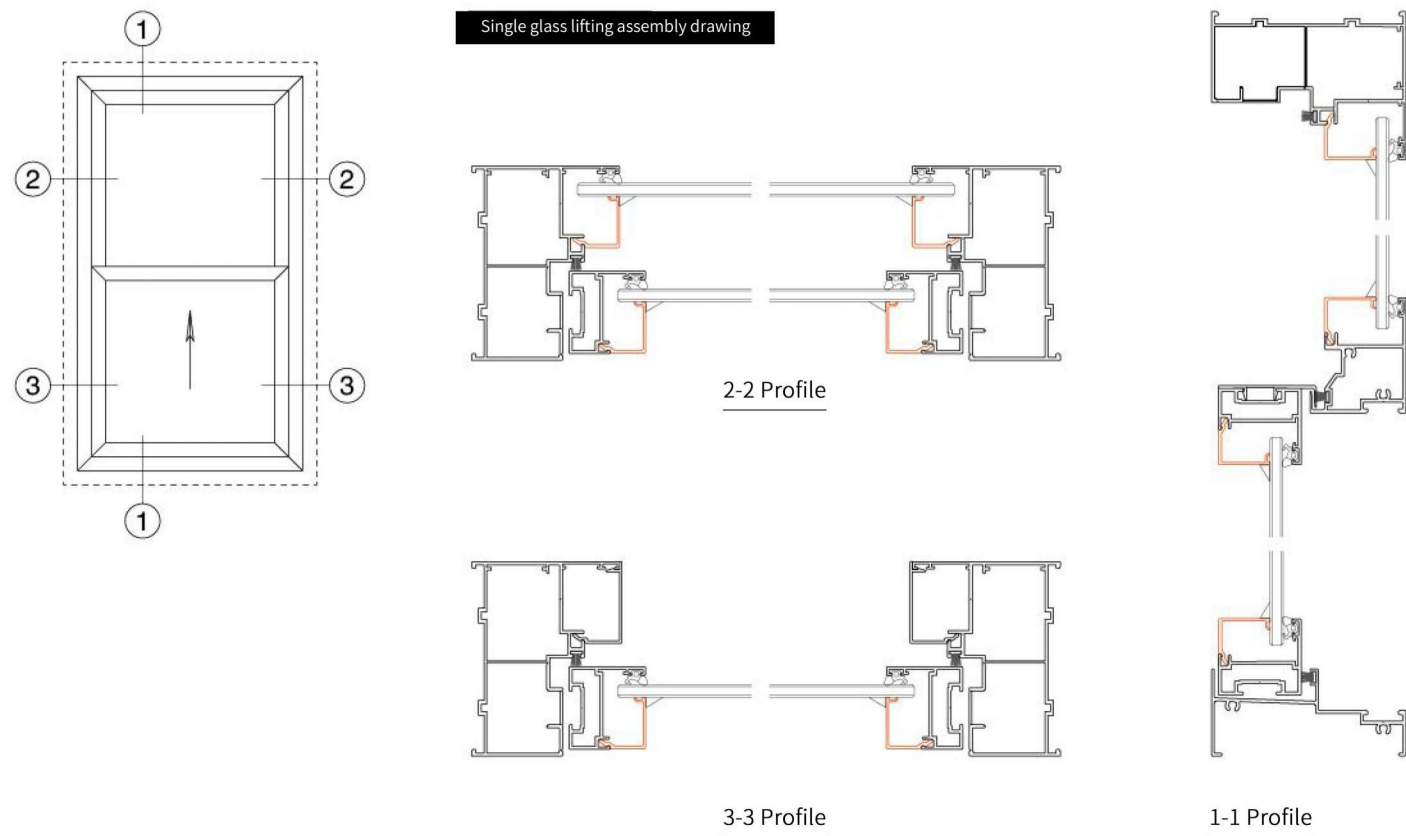
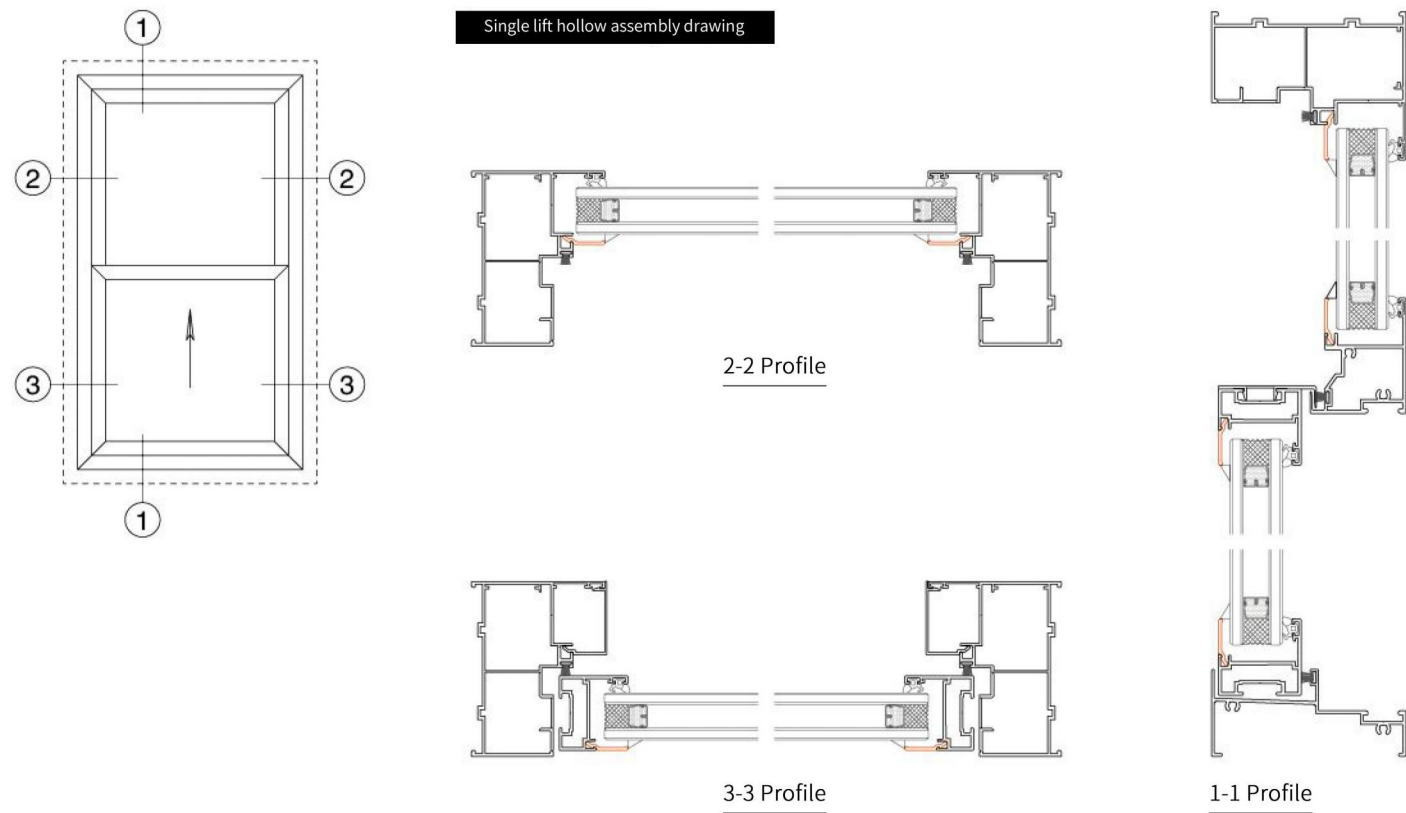
Number: JY-90ST-08	
Name: door frame (with hook)	Wall Thickness: 1.4mm
Weight: 0.200kg/m	Length: 6.0m



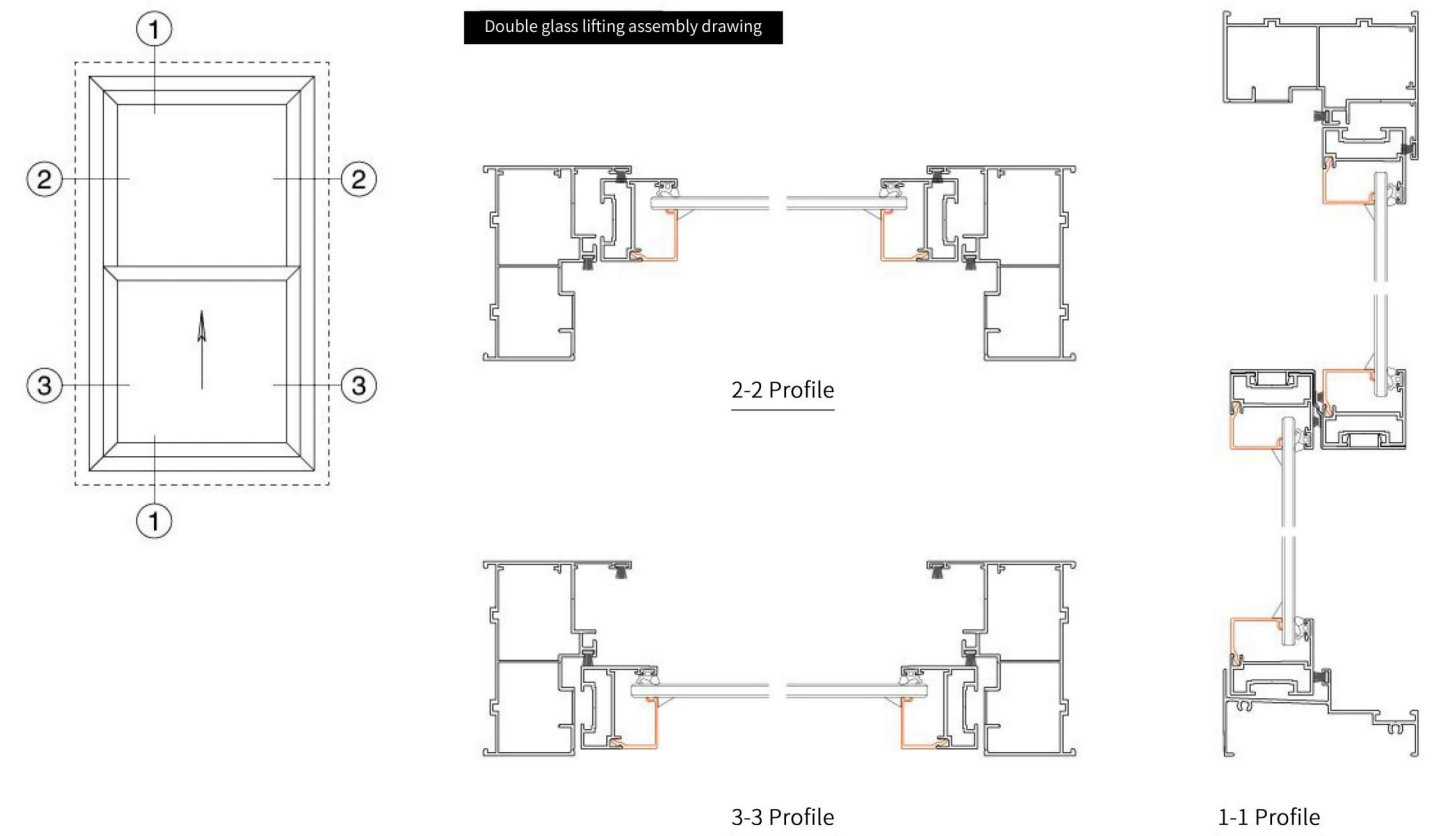
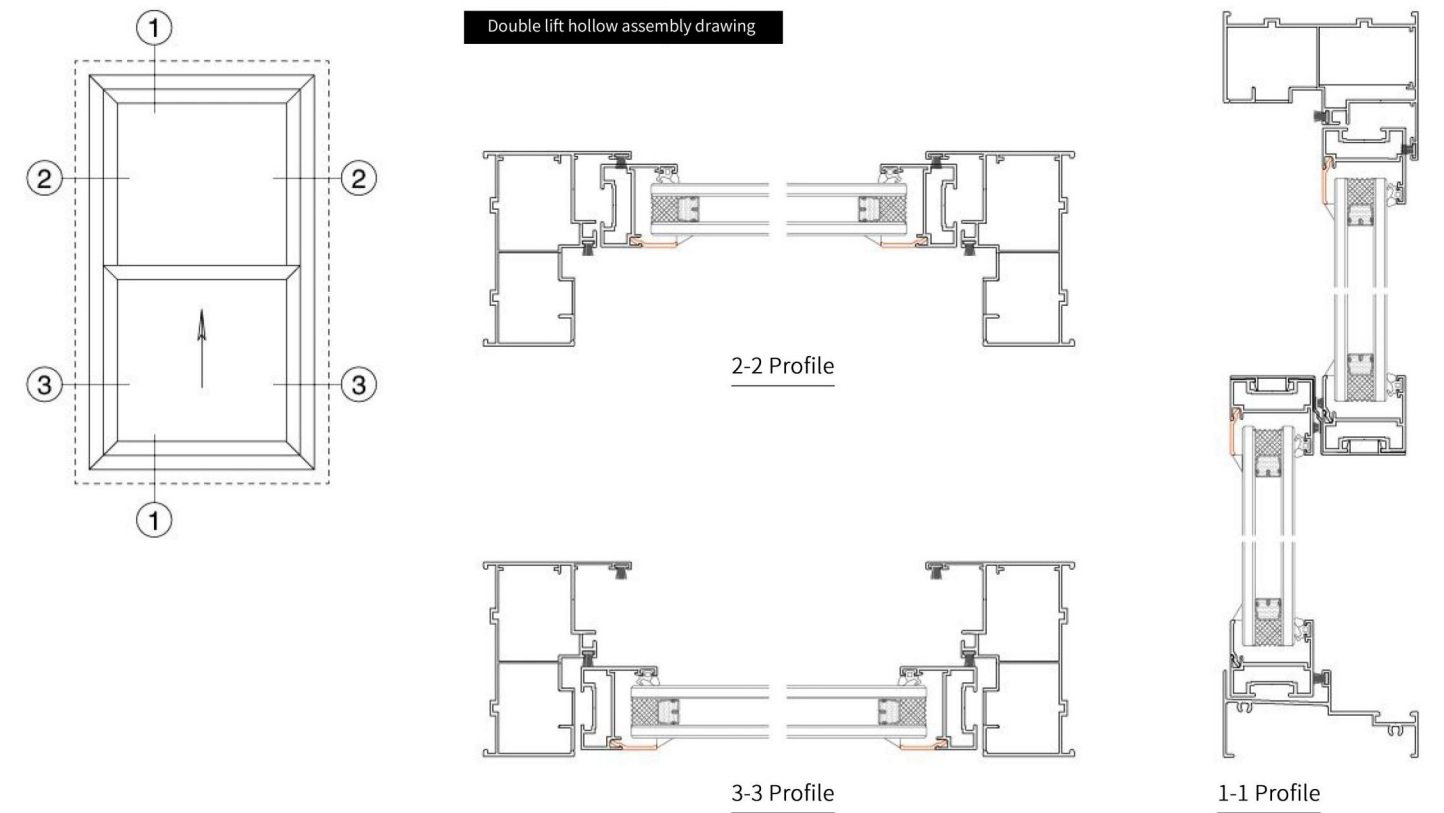
Number: JY-90ST-09	
Name: door frame (with hook)	Wall Thickness: 1.2mm
Weight: 0.194kg/m	Length: 6.0m



Configuration diagram of single lift window

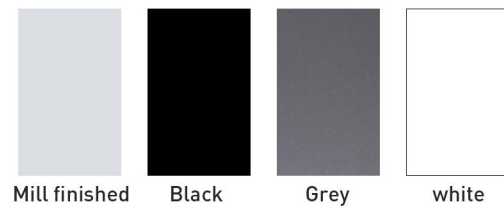


Configuration drawing of double up sliding window

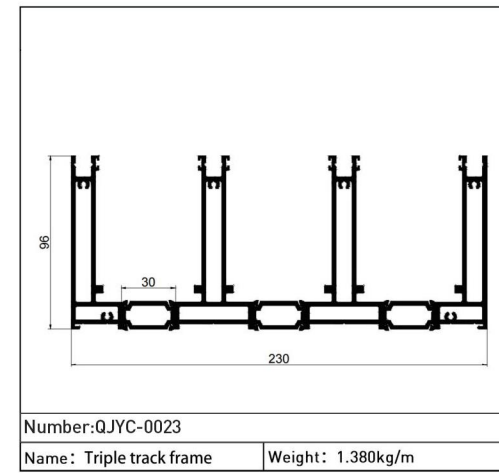
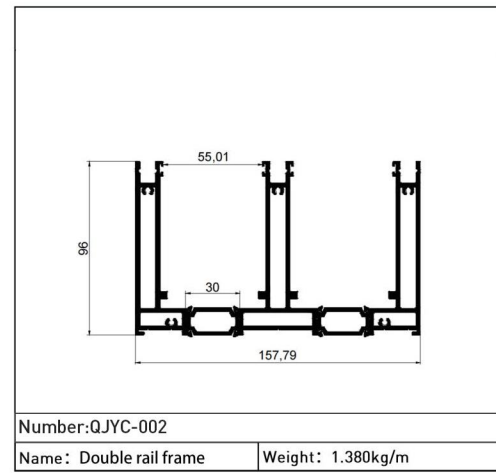
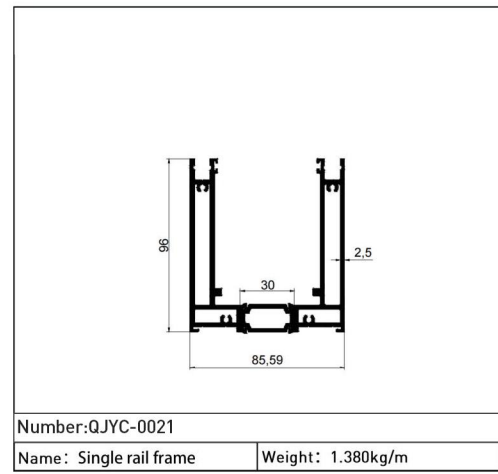
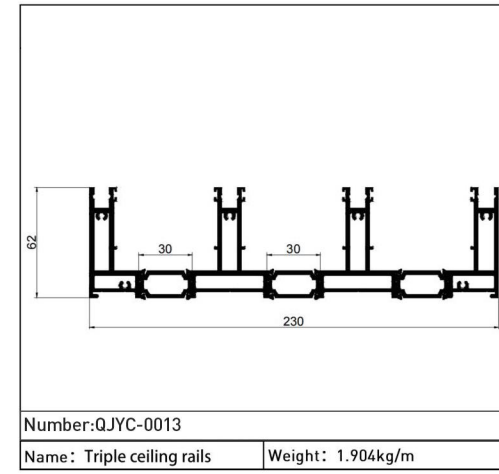
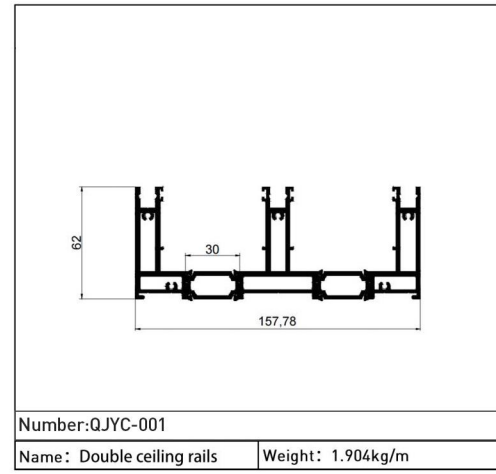
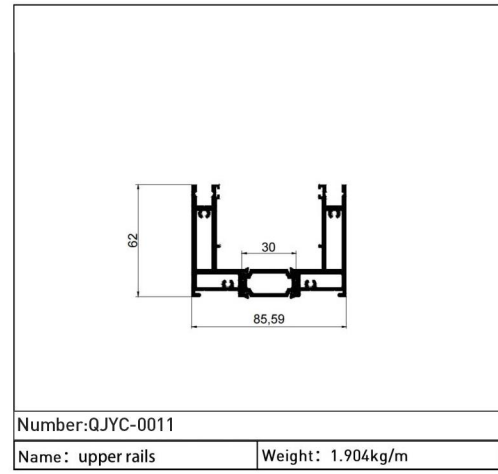




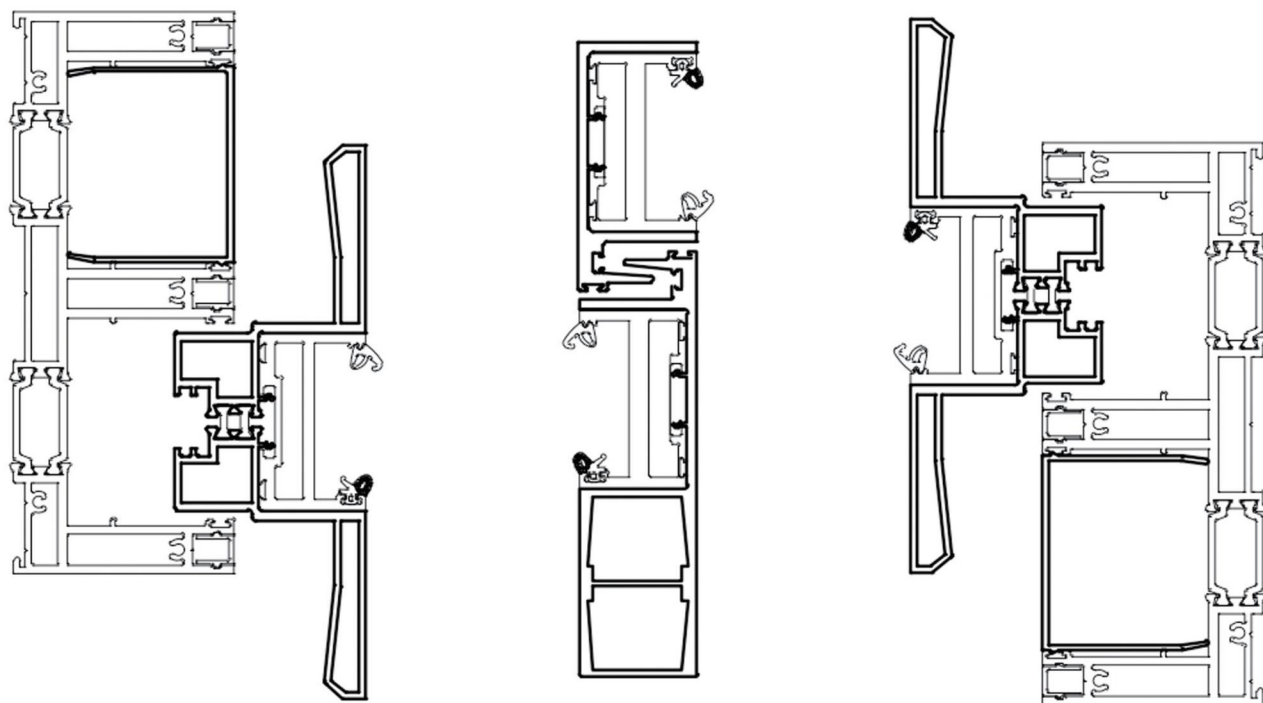
HIDDEN UNDER RAIL PANORAMIC SLIDING DOOR  
SERIES SPOT COLOR:



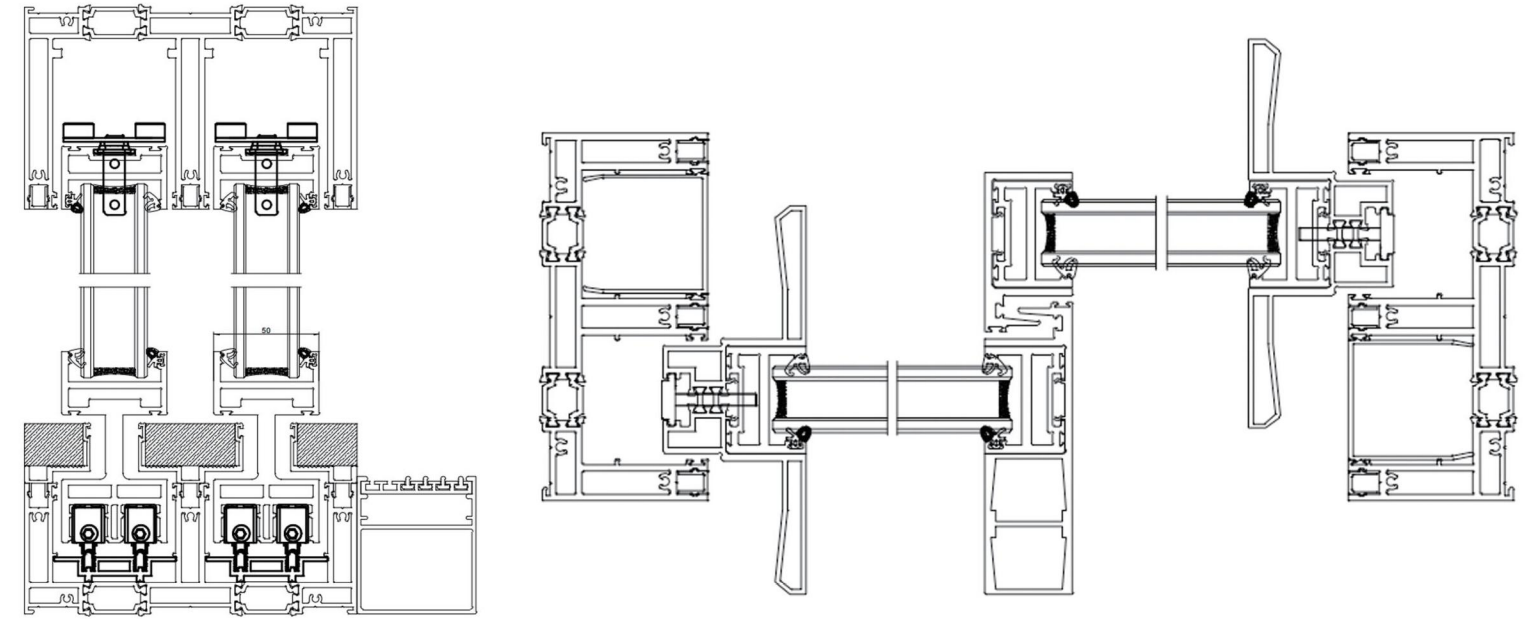
<p>Number:QJYC-009 Name: door frame Weight: 1.381kg/m</p>	<p>Number:QJYC-007A Name: Sink cover Weight: 0.558kg/m</p>	<p>Number:QJYC-007 Name: Water tank Weight: 1.427kg/m</p>
<p>Number:QJYC-001C Name: Decorative cover plate Weight: 0.088kg/m</p>	<p>Number:QJYC-012 Name: door frame (with hook) Weight: 1.259kg/m</p>	<p>Number:QJYC-006 Name: cover Weight: 0.628kg/m</p>
<p>Number:QJYC-003 Name: Lower rail side cover Weight: 0.407kg/m</p>	<p>Number:QJYC-004 Name: Lower rail center cover Weight: 0.623kg/m</p>	<p>Number:QJYC-005 Name: bottom rail Weight: 0.654kg/m</p>
<p>Number:QJYC-008 Name: bottom door frame Weight: 4.122kg/m</p>	<p>Number:QJYC-010 Name: door frame Weight: 1.345kg/m</p>	<p>Number:QJYC-011 Name: door frame (with hook) Weight: 2.426kg/m</p>



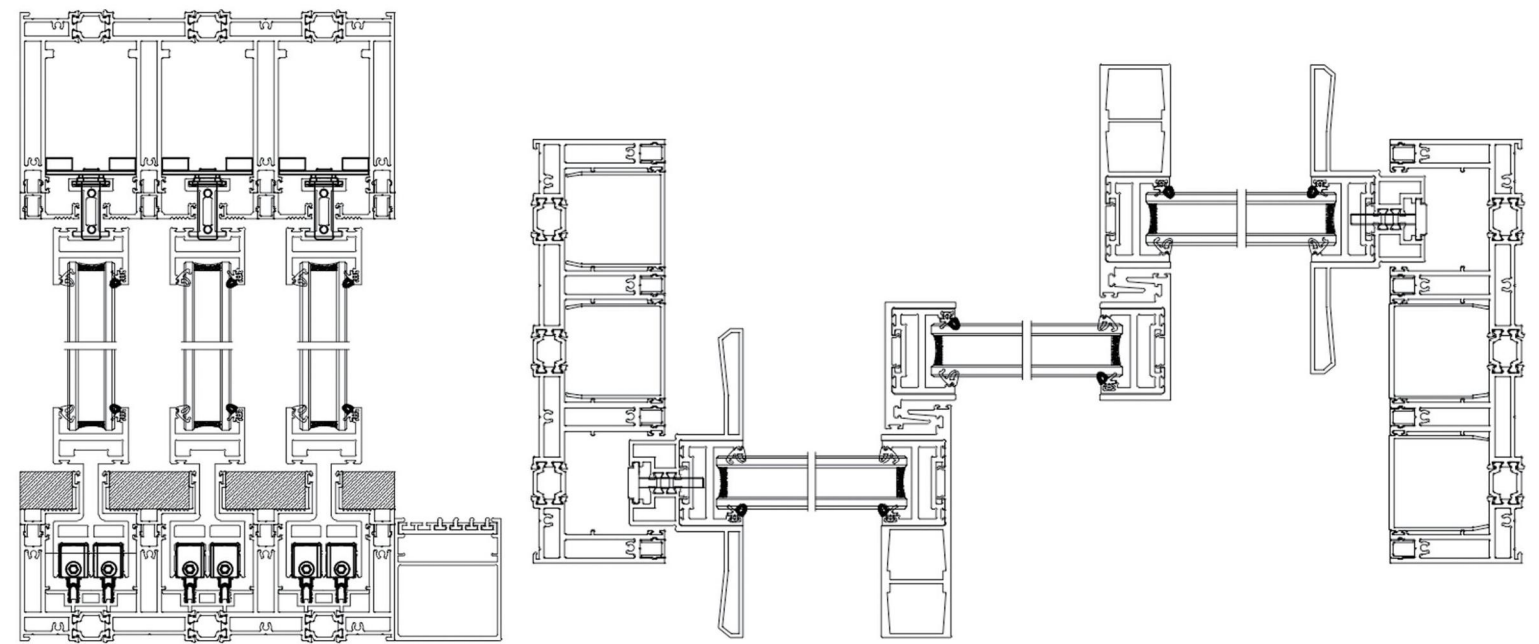
Handle door assembly diagram



Double track hidden lower track assembly diagram

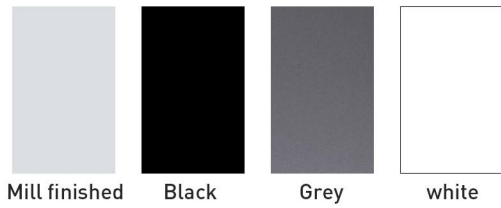


Triple track hidden lower track assembly diagram

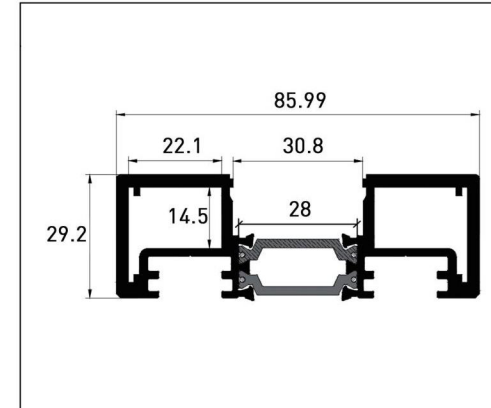




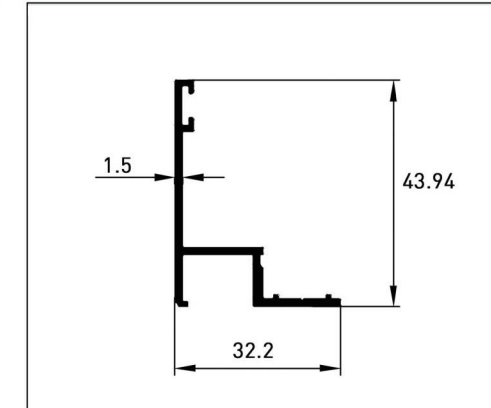
200 BROKEN BRIDGE PANORAMIC SLIDING DOOR  
SERIES SPOT COLOR:



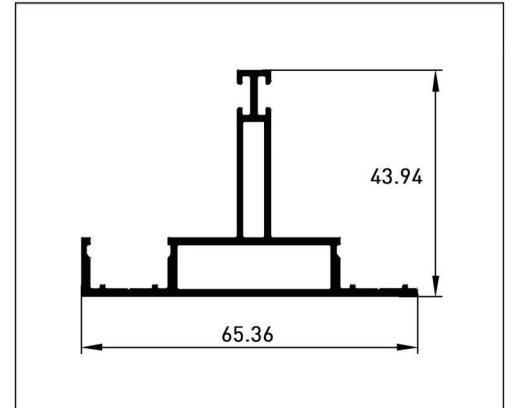
Mill finished    Black    Grey    white



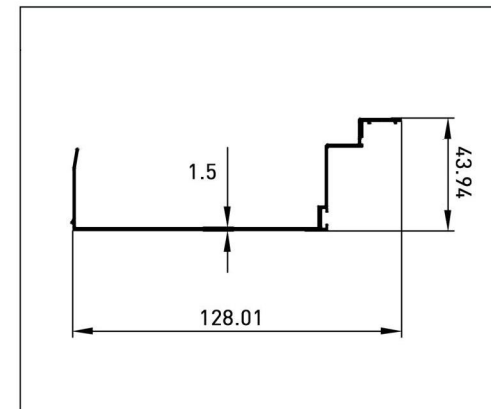
Number:KSBG-13836  
Name: door frame    Weight: 0.868kg/m



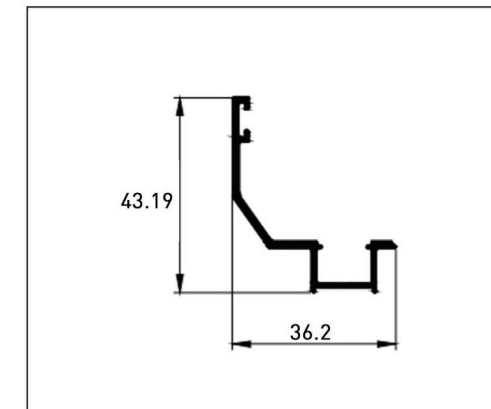
Number:KSBG-13810  
Name: Outer door frame flange    Weight: 0.383kg/m



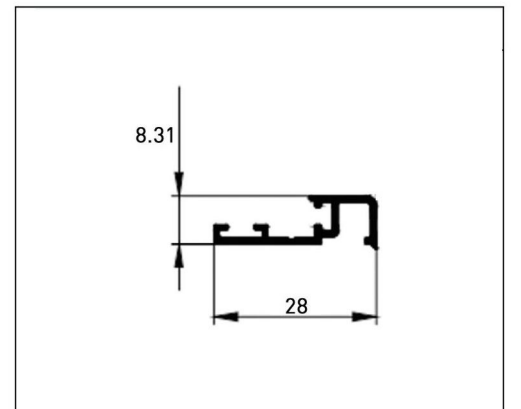
Number:KSBG-13813  
Name: Sliding up    Weight: 0.777kg/m



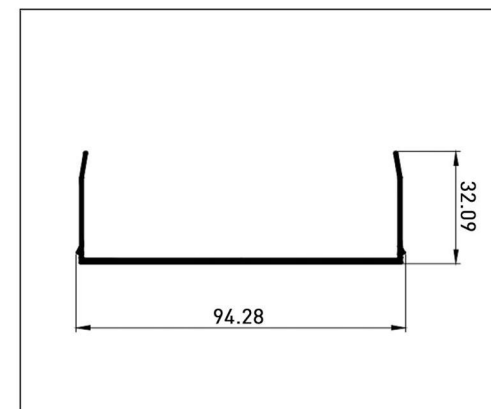
Number:KSBG-13831  
Name: side frame cover    Weight: 0.806kg/m



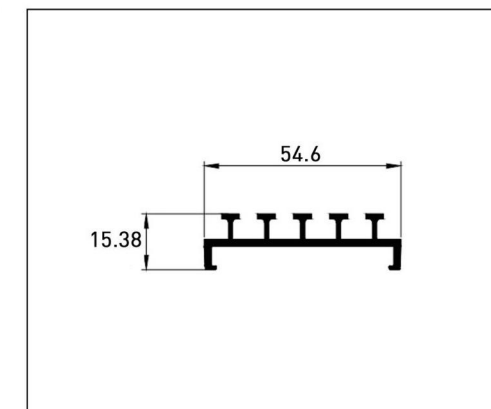
Number:KSBG-13812  
Name: collision cover    Weight: 0.331kg/m



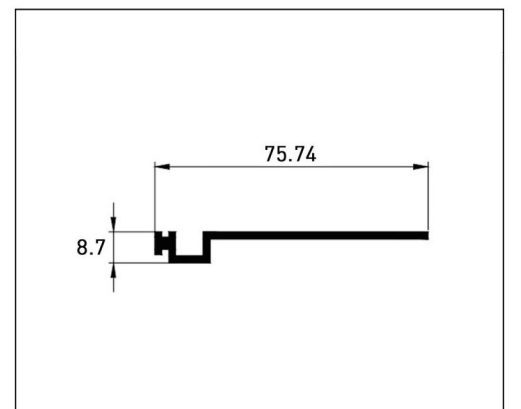
Number:KSBG-13809  
Name: Door frame (with hook)    Weight: 0.149kg/m



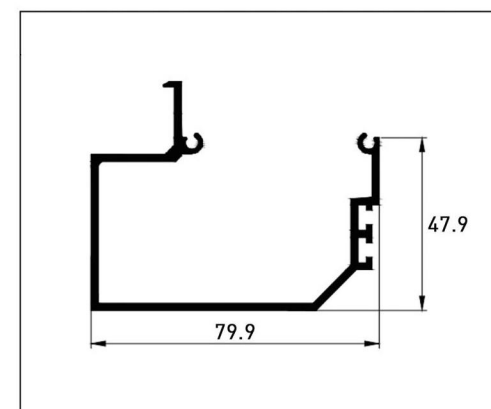
Number:KSBG-13832  
Name: cover    Weight: 0.585kg/m



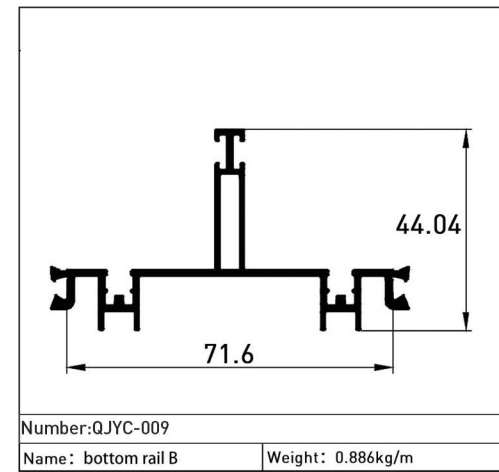
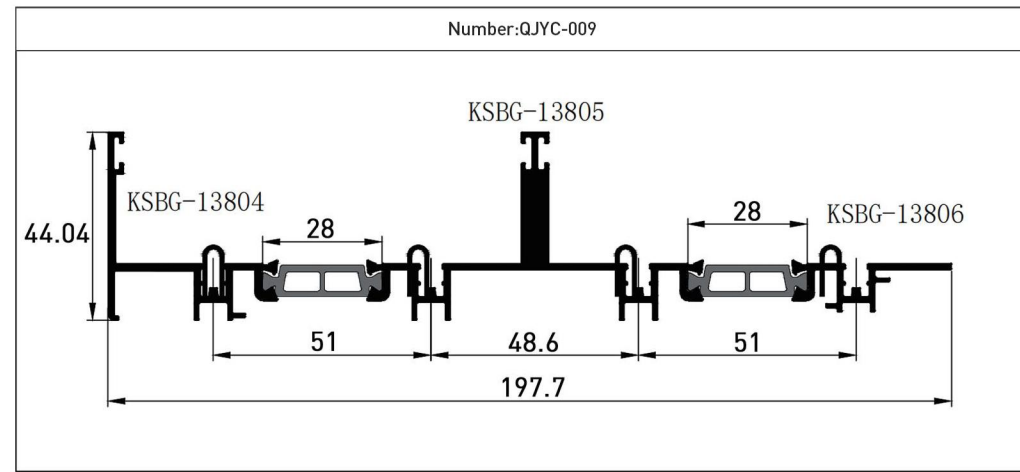
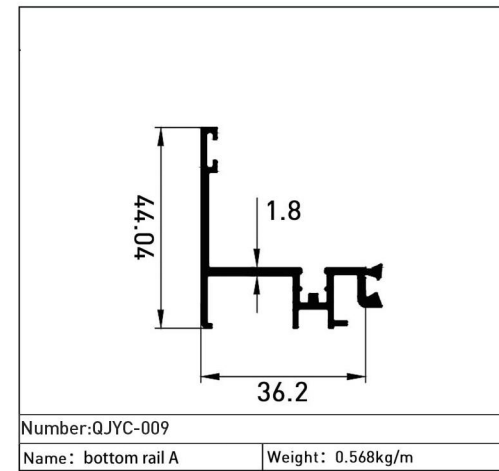
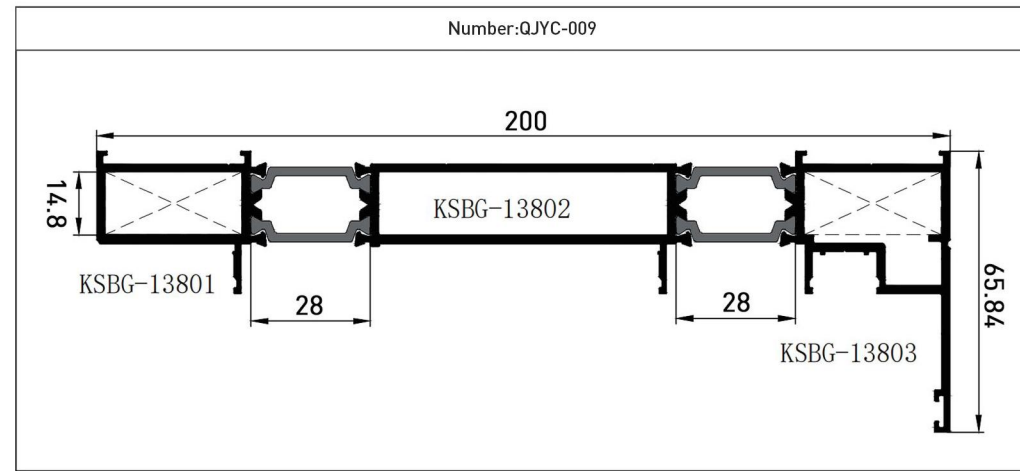
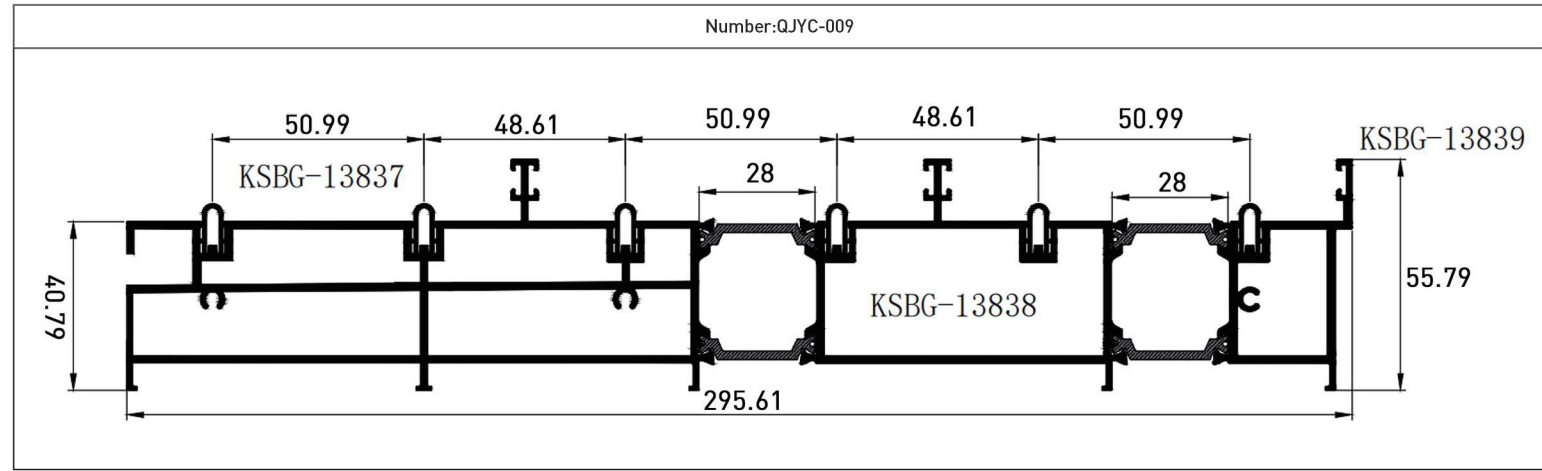
Number:KSBG-13833  
Name: Sink cover    Weight: 0.556kg/m



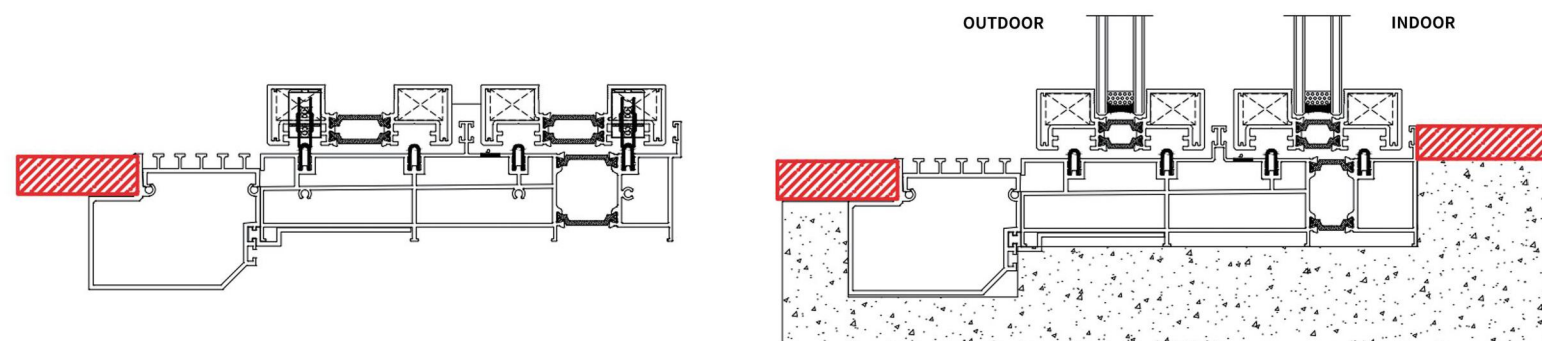
Number:KSBG-13835  
Name: Sink board    Weight: 0.512kg/m



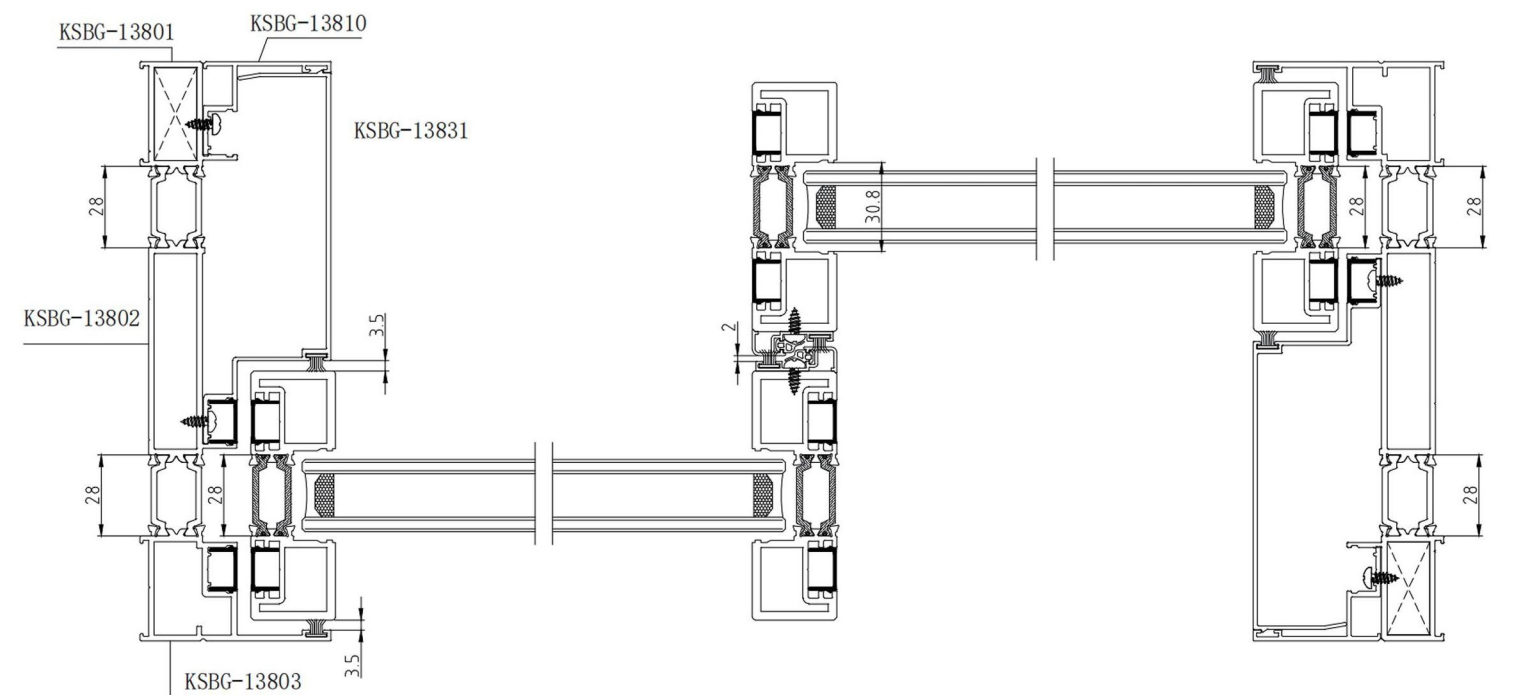
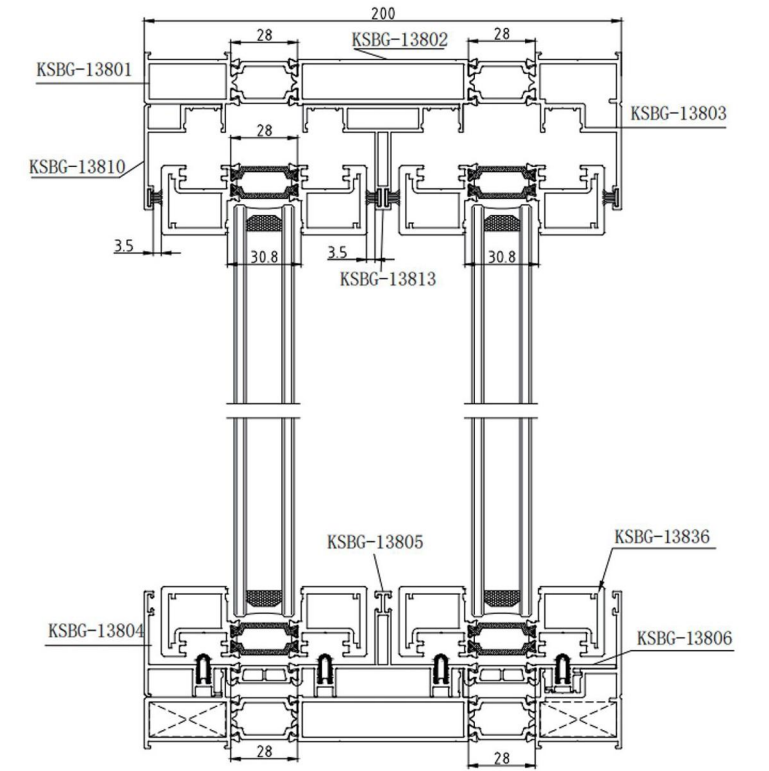
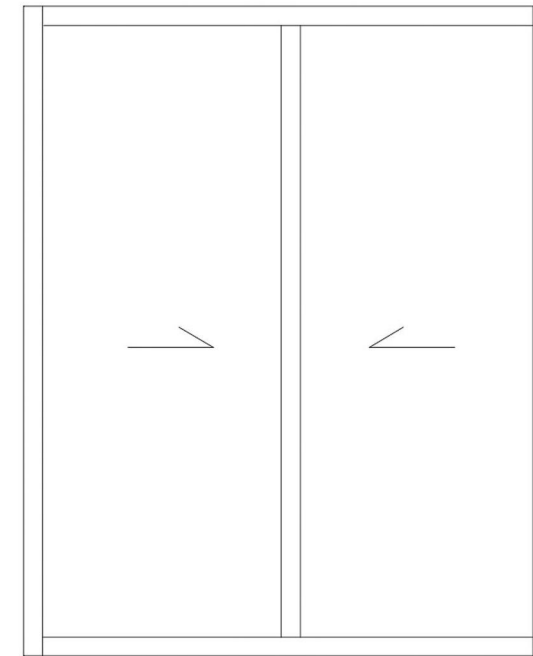
Number:KSBG-13834  
Name: Water tank    Weight: 1.253kg/m



assembly drawing

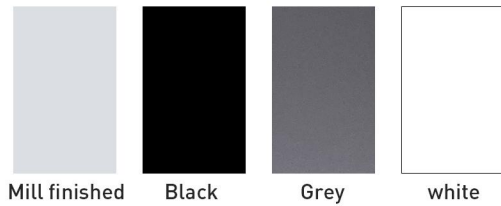


assembly drawing

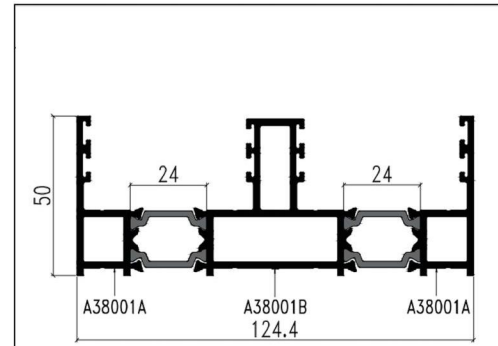




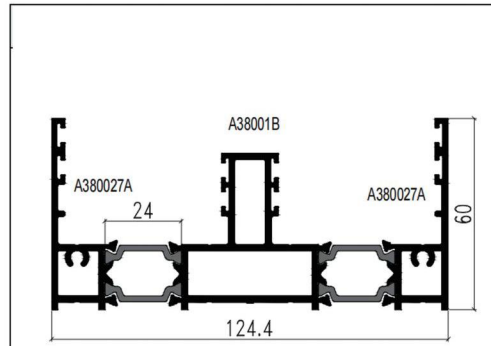
125 SERIES PANORAMIC SLIDING DOORS  
SERIES SPOT COLOR:



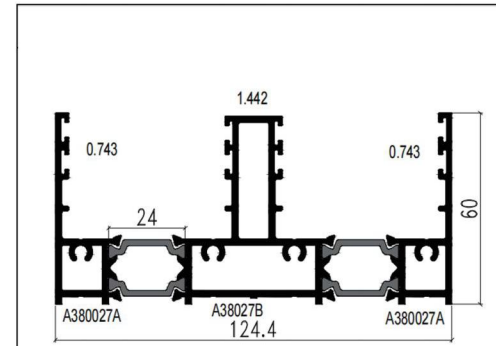
<p>Number:A38001A Weight: 0.633kg/m   Wall Thickness: 2.0mm</p>	<p>Number:A38001B Weight: 1.222kg/m   Wall Thickness: 2.0mm</p>	<p>Number:A38002 Weight: 0.526kg/m   Wall Thickness: 1.8mm</p>
<p>Number:A38003 Weight: 0.383kg/m   Wall Thickness: 1.5mm</p>	<p>Number:A38004 Weight: 0.544kg/m</p>	<p>Number:A38004A Weight: 0.245kg/m</p>
<p>Number:A38005 Weight: 0.311kg/m</p>	<p>Number:A38006-2 Weight: 2.653kg/m</p>	<p>Number:A38006A-2 Weight: 1.282kg/m   Wall Thickness: 2.0mm</p>
<p>Number:A38007 Weight: 1.605kg/m</p>	<p>Number:A38008 Weight: 0.598kg/m</p>	<p>Number:A38009 Weight: 0.563kg/m   Wall Thickness: 1.5mm</p>



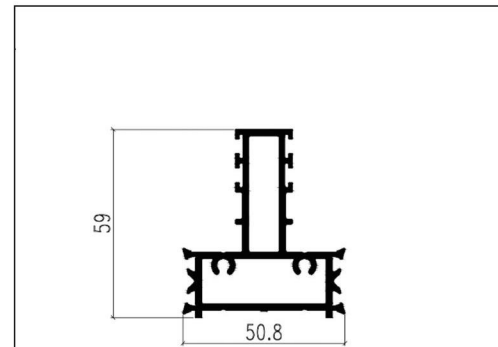
Number:A38001  
Weight: 2.812kg/m Wall Thickness: 2.0mm



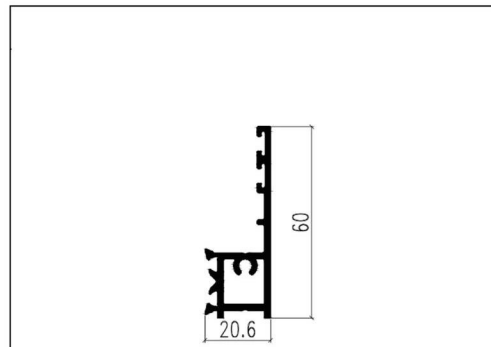
Number:A38028  
Weight: 3.032kg/m Wall Thickness: 2.0mm



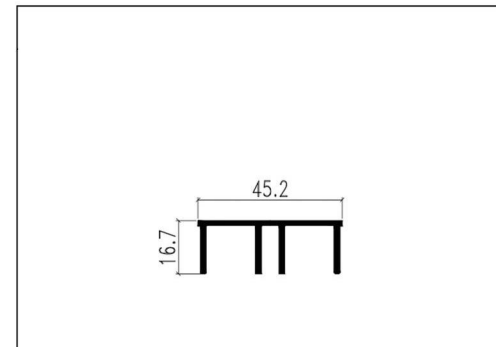
Number:A38027  
Weight: 3.252kg/m Wall Thickness: 2.0mm



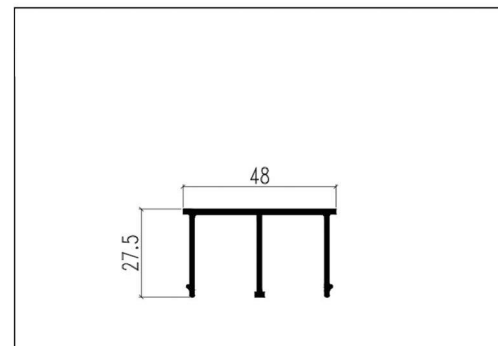
Number:A38027B  
Weight: 1.442kg/m Wall Thickness: 2.0mm



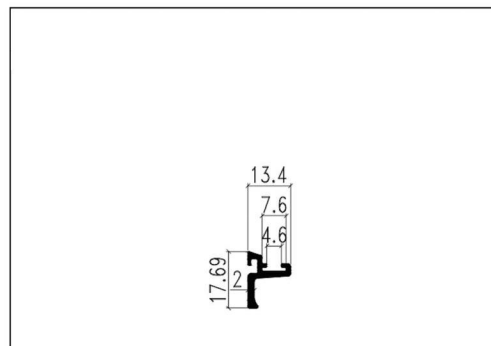
Number:A380027A  
Weight: 0.743kg/m Wall Thickness: 2.0mm



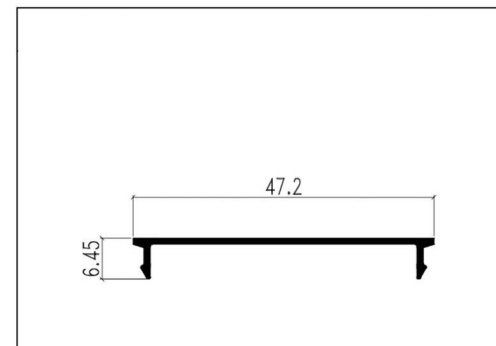
Number:A38002-R1  
Weight: 0.483kg/m Wall Thickness: 1.8mm



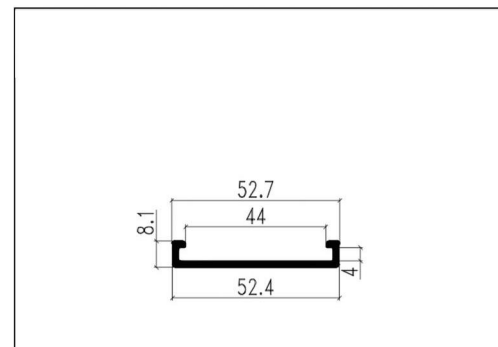
Number:A38009-R3  
Weight: 0.538kg/m Wall Thickness: 1.5mm



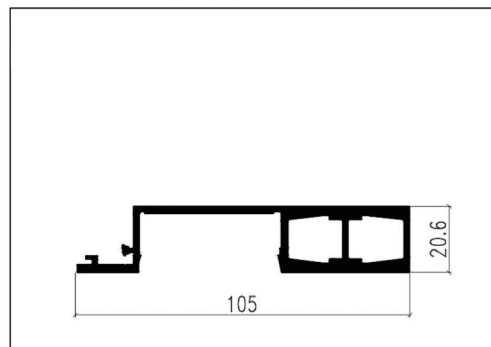
Number:A38014  
Weight: 0.085kg/m



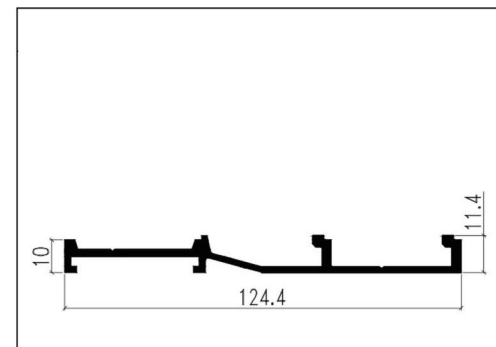
Number:A38010  
Weight: 0.161kg/m Wall Thickness: 1.0mm



Number:A38013  
Weight: 0.179kg/m

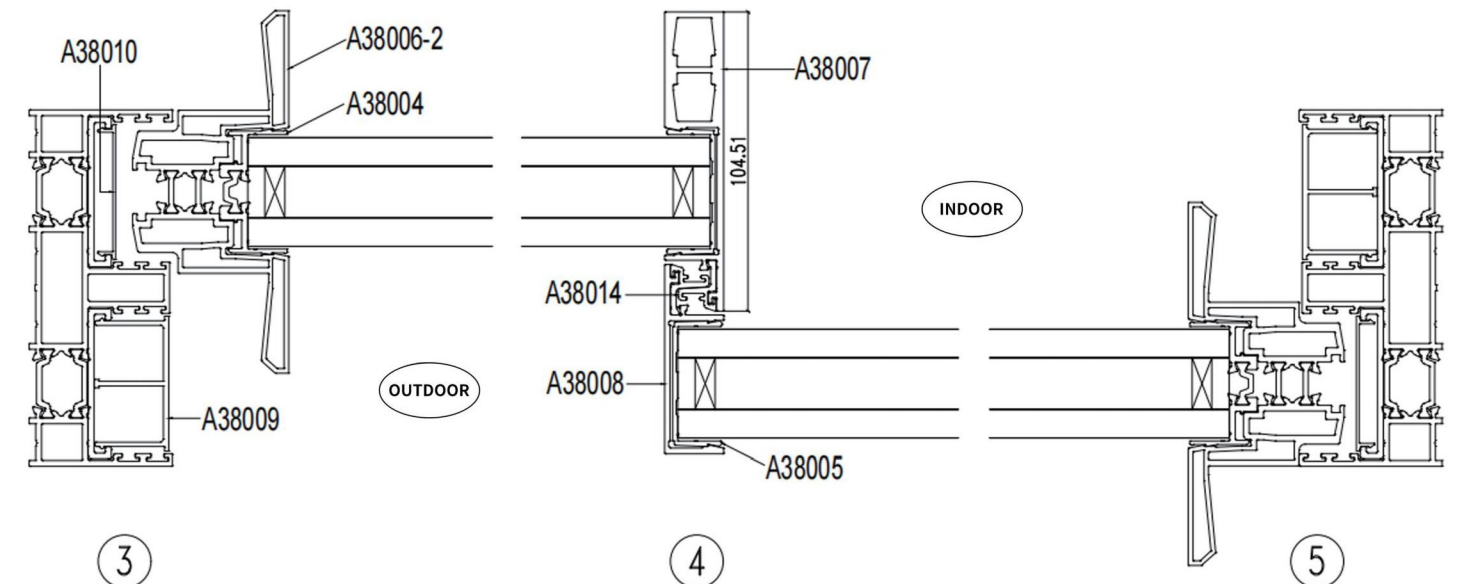
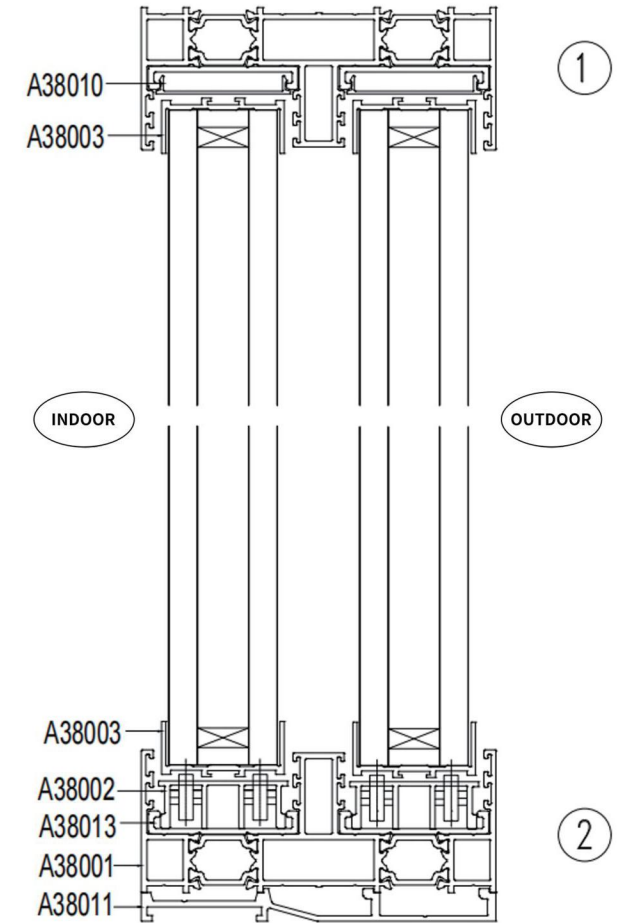
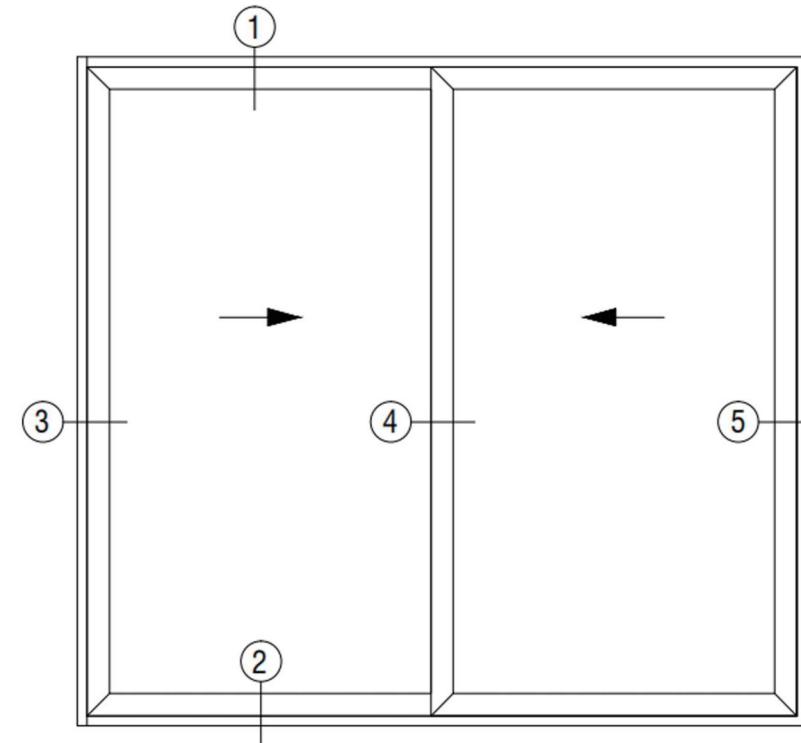


Number:A38012  
Weight: 1.605kg/m



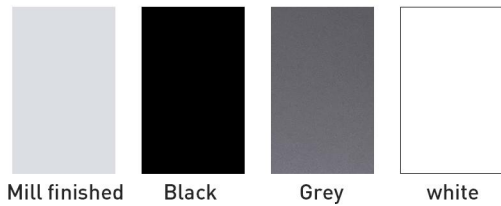
Number:A38011  
Weight: 1.004kg/m Wall Thickness: 1.8mm

assembly drawing





120 NARROW ON NARROW THERMAL BREAK CASEMENT WINDOW 20 SIDE MOUNTED LOCKS SERIES SPOT COLOR:



HARDWARE ACCESSORIES

Product parameters

Product wall thickness	2.0mm
Outer frame width	120mm
Profile standards	6063-T5
glass	5mm+20A+5mm
Cost consumables	11.5kg/m <sup>2</sup>

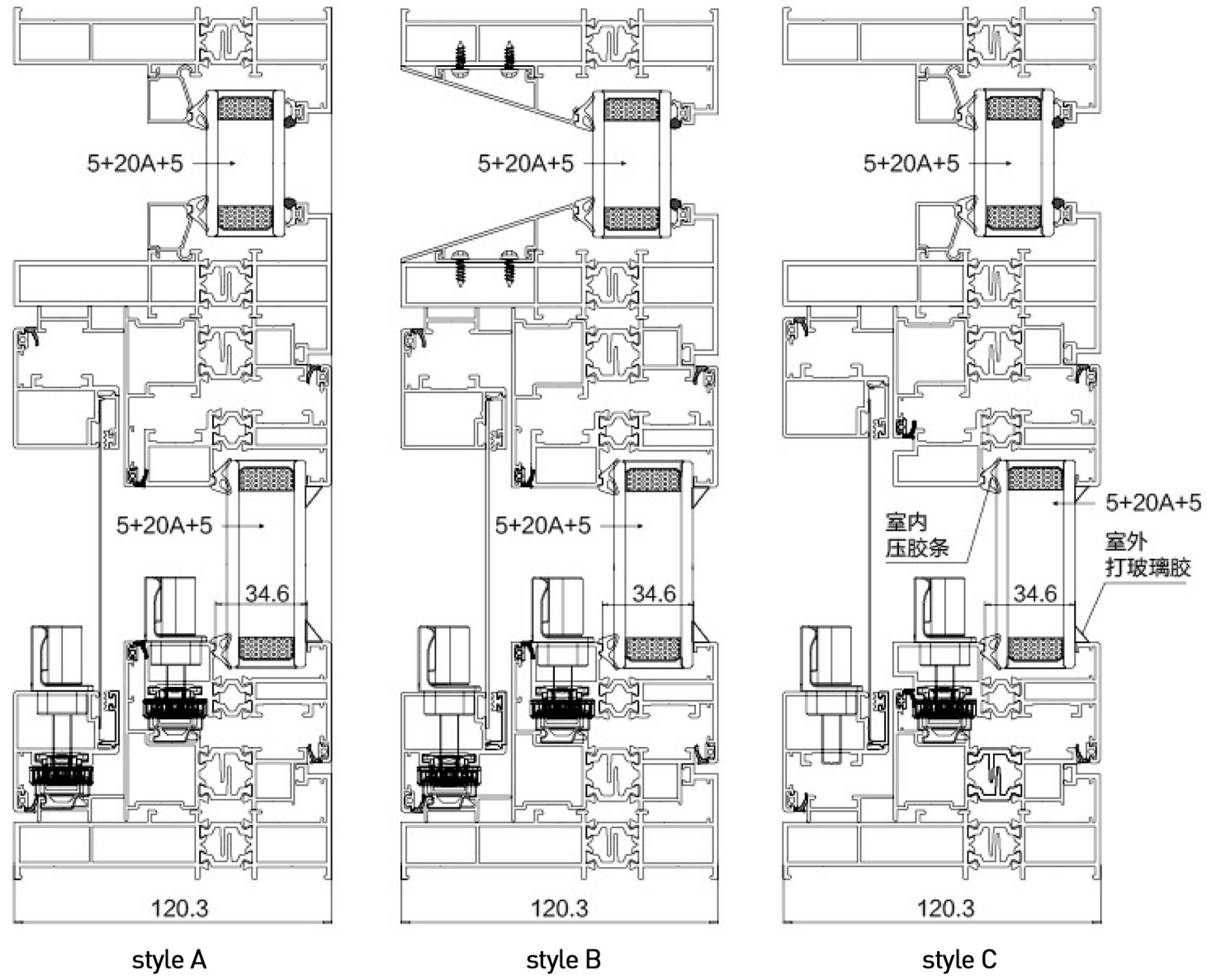
Performance Characteristics

Heat Preservation GB/T8484	2.0 ≤K≤2.4	Grade 8
Soundproof GB/T8485	Rw ≤42dB	Grade 5
Watertight GB/T7106	AP≥700Pa	Grade 6
Air Tightness GB/T7106	q1 ≤ 0.5m <sup>3</sup> /(m.h)	Grade 5
Wind Load Resistance GB/T7106	P <sub>3</sub> ≥5.0KPa	Grade 9

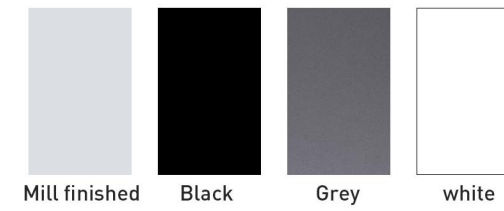
<p>JNW-XT1189 0.98kg/m</p> <p>JNW-XT1147 0.75kg/m</p> <p>Number:JNW-CT1189F Name:casement window out frame Weight:1.89kg/m Wall Thickness:2.0mm</p>	<p>JNW-XT1190 0.96kg/m</p> <p>JNW-XT1148 0.83kg/m</p> <p>Number:JNW-CT1190F Name:casement window middle frame Weight:1.94kg/m Wall Thickness:2.0mm</p>	<p>JNW-XT1193</p> <p>Number:JNW-XT1193 Name:outframe cover 1# Weight:0.24kg/m Wall Thickness:0.9mm</p>
<p>JNW-XT1212</p> <p>Number:JNW-XT1212 Name:outframe cover 2# Weight:0.29kg/m Wall Thickness:1.1mm</p>	<p>JNW-XT1213</p> <p>Number:JNW-XT1213 Name:outframe cover 1#base Weight:0.12kg/m Wall Thickness:1.0mm</p>	<p>JNW-XT1222 0.61kg/m</p> <p>JNW-XT1150 0.37kg/m</p> <p>Number:JNW-CT1222F Name:casement window inner frame Weight:1.15kg/m Wall Thickness:1.3mm</p>
<p>JNW-XT1221 0.61kg/m</p> <p>JNW-XT1214 0.71kg/m</p> <p>Number:JNW-CT1221F Name:glass frame Weight:1.43kg/m Wall Thickness:2.0mm</p>	<p>JNW-XT1192</p> <p>Number:JNW-XT1192 Name:gauze fan Weight:0.66kg/m Wall Thickness:1.35mm</p>	<p>JNW-XT518</p> <p>Number:JNW-XT518 Name:mesh screen frame cover Weight:0.12kg/m Wall Thickness:1.4mm</p>
<p>JNW-XT1194</p> <p>Number:JNW-XT1194 Name:mesh screen out frame Weight:0.17kg/m Wall Thickness:1.2mm</p>	<p>JNW-XT1151 0.53kg/m</p> <p>JNW-XT1214 0.71kg/m</p> <p>Number:JNW-CT1214F Name:sash fan Weight:1.34kg/m Wall Thickness:2.0mm</p>	<p>JNW-XT1191 0.88kg/m</p> <p>JNW-XT1150 0.37kg/m</p> <p>Number:JNW-CT1191F Name:side sash fan Weight:1.2kg/m Wall Thickness:1.3mm</p>

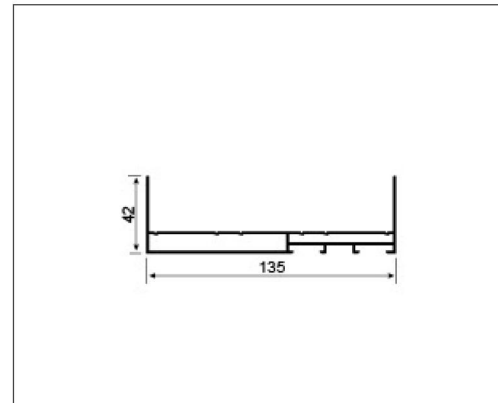


Assembly drawing

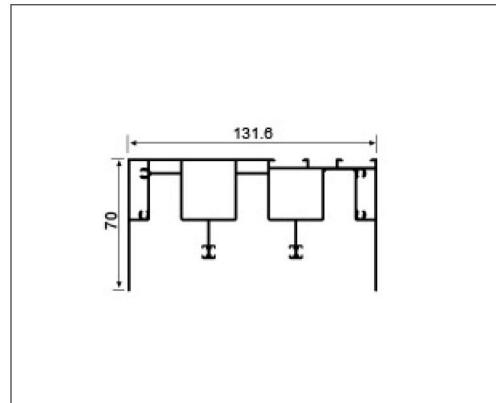


135 FULL HIDDEN EXTREMELY NARROW LANDSCAPE SLIDING WINDOW [TRIPLE/SIX TRACK]  
SERIES SPOT COLOR:

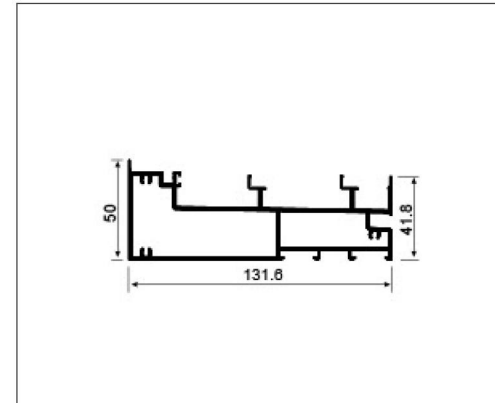




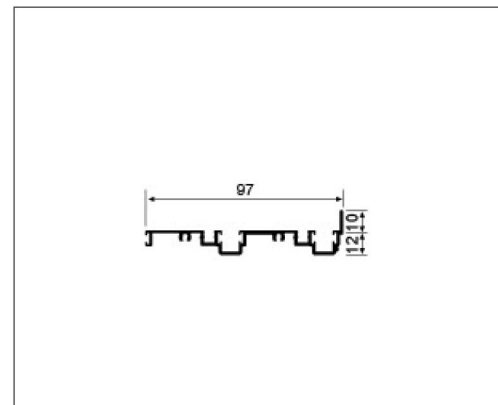
Number: JNW-XT738 Name: outdoor interlock vertical glass frame with handle  
Weight: 1.3kg/m Wall Thickness: 1.6mm



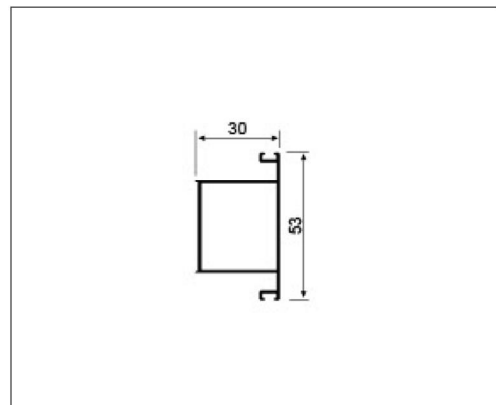
Number: JNW-XT739 Name: top track  
Weight: 2.38kg/m Wall Thickness: 1.5mm



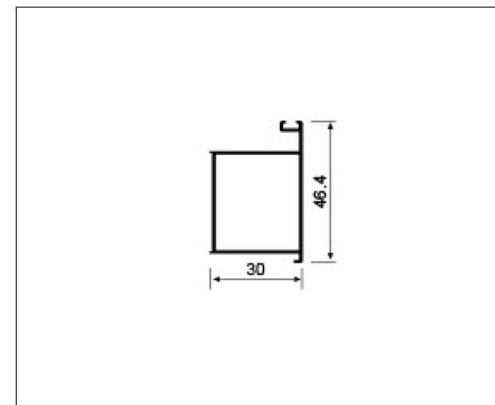
Number: JNW-XT742 Name: bottom outframe  
Weight: 2.28kg/m Wall Thickness: 2.0mm



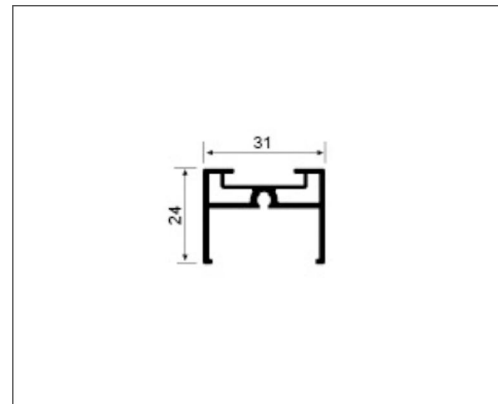
Number: JNW-XT741 Name: bottom rail  
Weight: 0.76kg/m Wall Thickness: 2.0mm



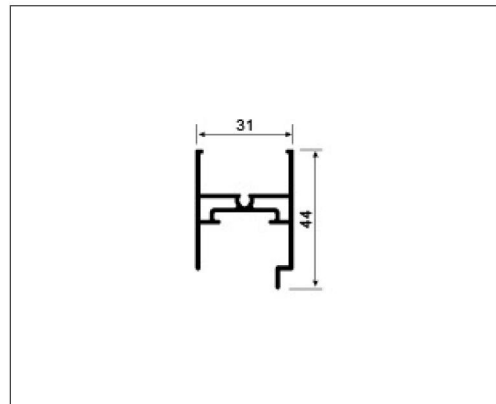
Number: JNW-XT745 Name: outdoor vertical middle cover  
Weight: 0.46kg/m Wall Thickness: 1.0mm



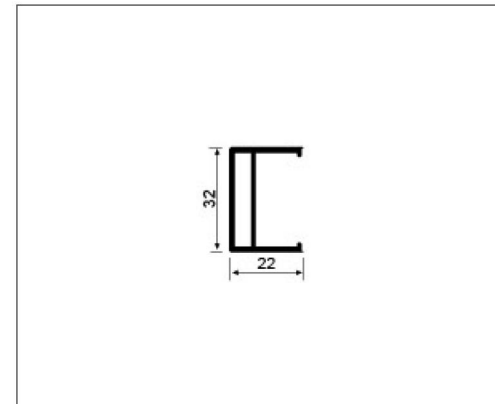
Number: JNW-XT721 Name: outdoor vertical side cover  
Weight: 0.42kg/m Wall Thickness: 1.0mm



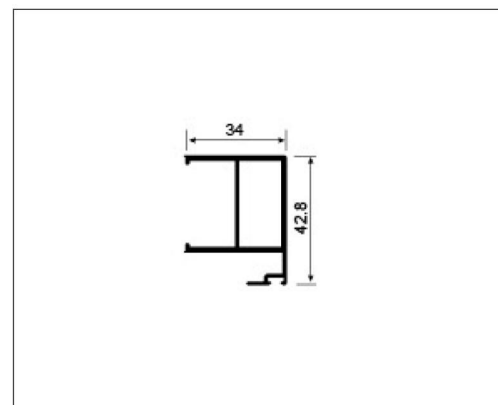
Number: JNW-XT725 Name: top horizontal glass frame  
Weight: 1.75kg/m Wall Thickness: 1.6mm



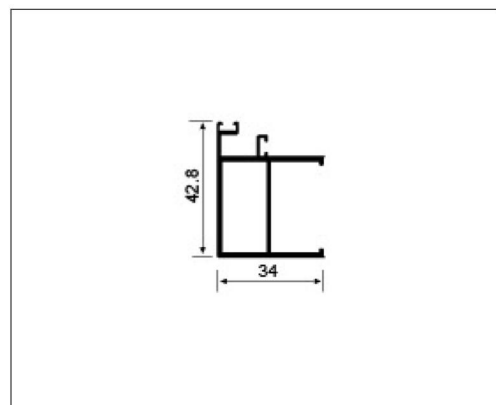
Number: JNW-XT726 Name: bottom horizontal glass frame  
Weight: 0.61kg/m Wall Thickness: 1.6mm



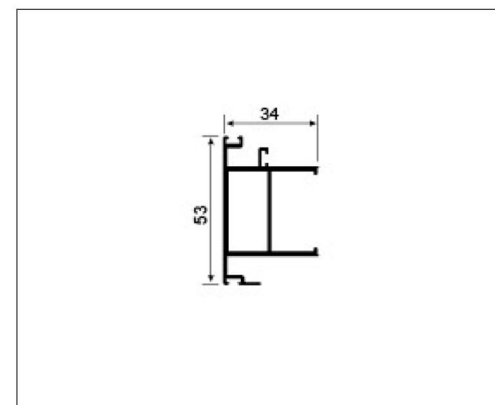
Number: JNW-XT717 Name: vertical glass frame  
Weight: 0.44kg/m Wall Thickness: 1.8mm



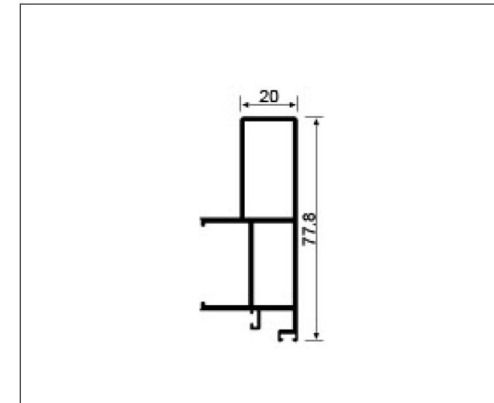
Number: JNW-XT718 Name: indoor interlock vertical glass frame  
Weight: 0.63kg/m Wall Thickness: 1.8mm



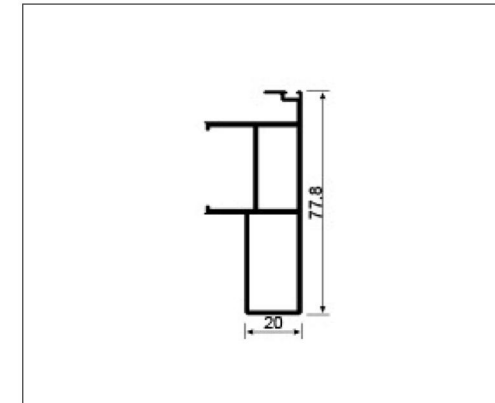
Number: JNW-XT733 Name: outdoor interlock vertical glass frame  
Weight: 0.64kg/m Wall Thickness: 1.8mm



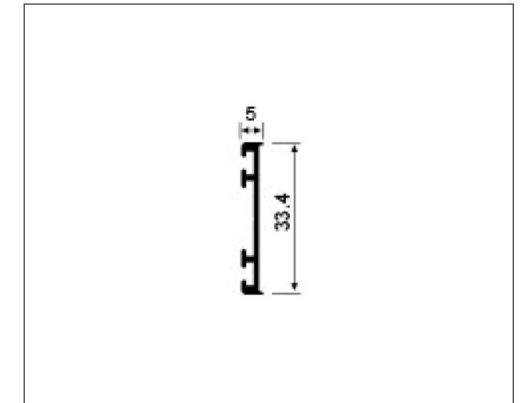
Number: JNW-XT736 Name: middle double interlock vertical glass frame  
Weight: 0.74kg/m Wall Thickness: 0.8mm



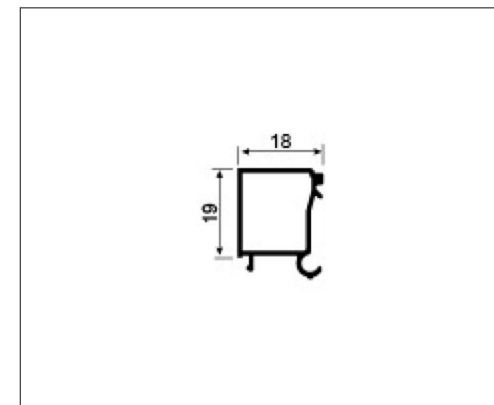
Number: JNW-XT817 Name: outdoor interlock vertical glass frame with handle  
Weight: 1.0kg/m Wall Thickness: 1.8mm



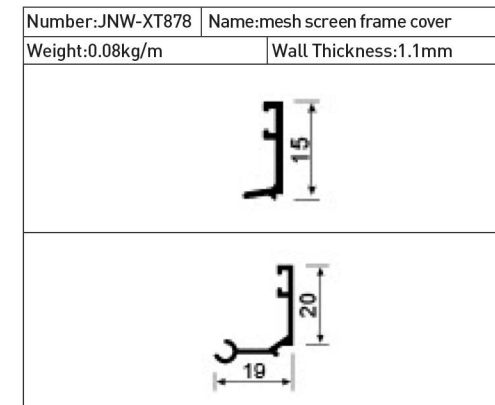
Number: JNW-XT818 Name: indoor interlock vertical glass frame with handle  
Weight: 1.03kg/m Wall Thickness: 1.8mm



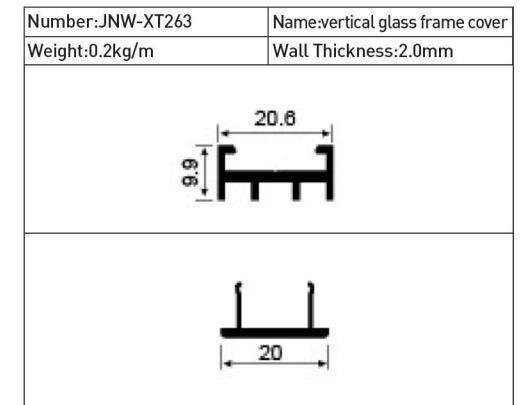
Number: JNW-XT720 Name: vertical glass frame seal  
Weight: 0.16kg/m Wall Thickness: 1.1mm



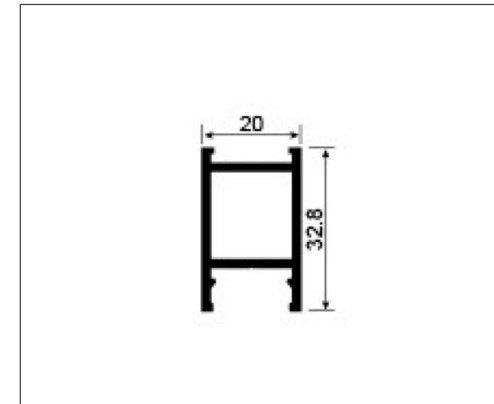
Number: JNW-XT727 Name: fixed glass frame cover  
Weight: 0.2kg/m Wall Thickness: 0.9mm



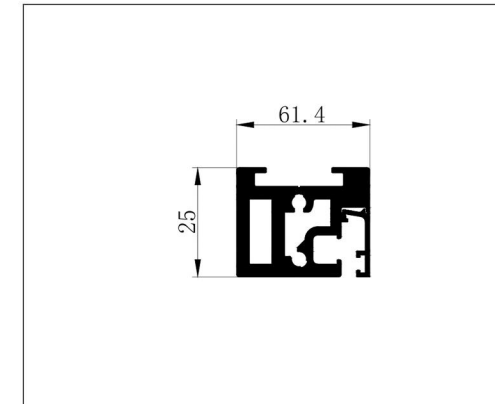
Number: GD-131 Name: outdoor glass frame cover  
Weight: 0.16kg/m Wall Thickness: 1.4mm



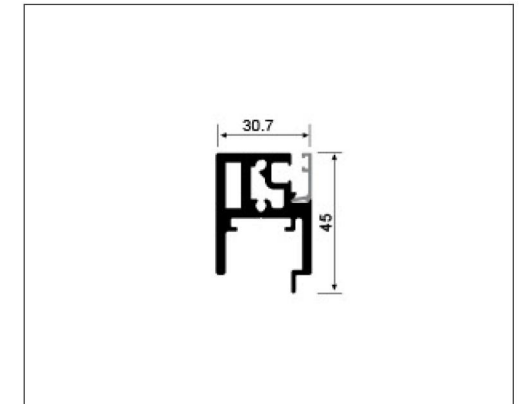
Number: JNW-XT263 Name: vertical glass frame cover  
Weight: 0.2kg/m Wall Thickness: 2.0mm



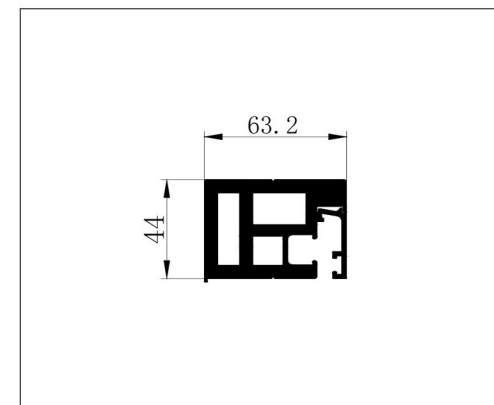
Number: JNW-XT820 Name: external handle  
Weight: 0.5kg/m Wall Thickness: 1.8mm



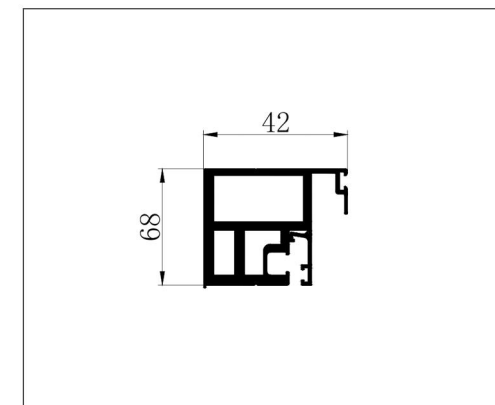
Number: JNW-XT879 Name: mesh screen top horizontal frame  
Weight: 1.01kg/m Wall Thickness: 3.0mm



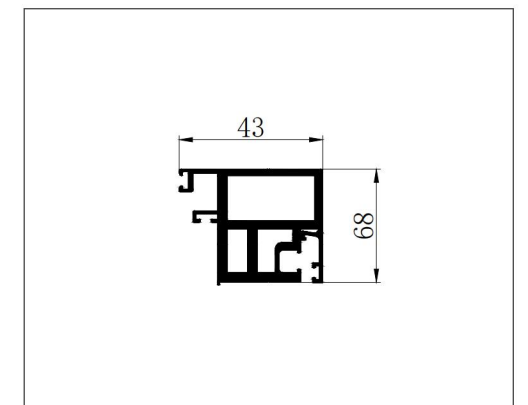
Number: JNW-XT880 Name: mesh screen bottom horizontal frame  
Weight: 1.25kg/m Wall Thickness: 3.0mm



Number: JNW-XT882 Name: mesh screen vertical cover  
Weight: 0.94kg/m Wall Thickness: 3.0mm



Number: JNW-XT883 Name: indoor mesh screen vertical interlock frame  
Weight: 1.18kg/m Wall Thickness: 3.0mm

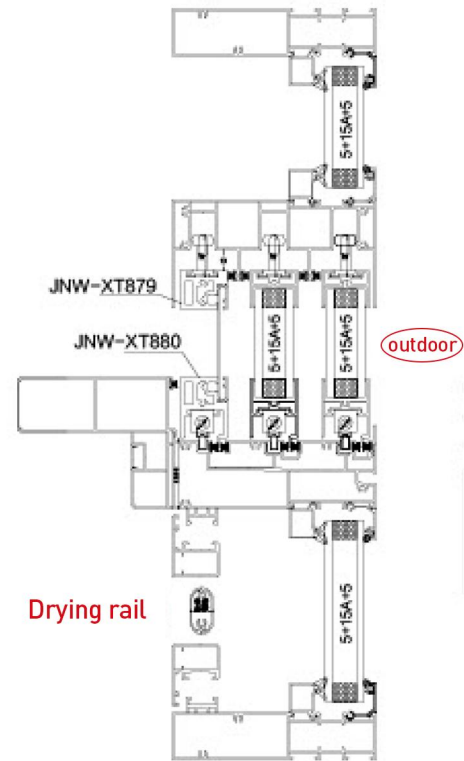


Number: JNW-XT881 Name: outdoor mesh screen vertical interlock frame  
Weight: 1.23kg/m Wall Thickness: 3.0mm

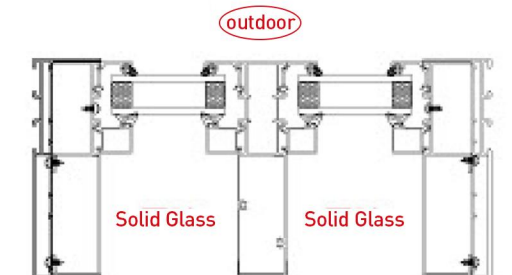
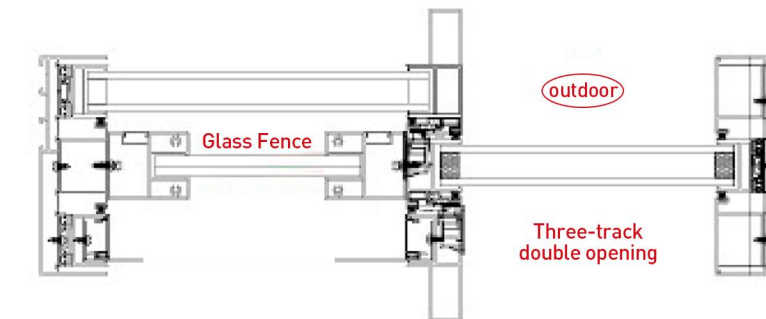
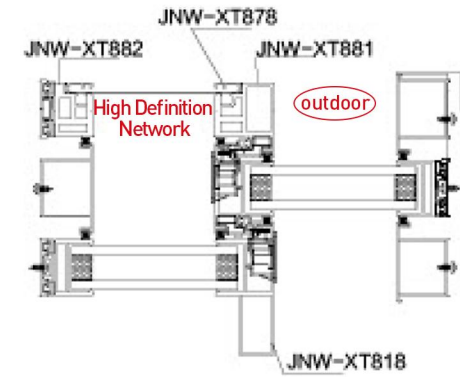
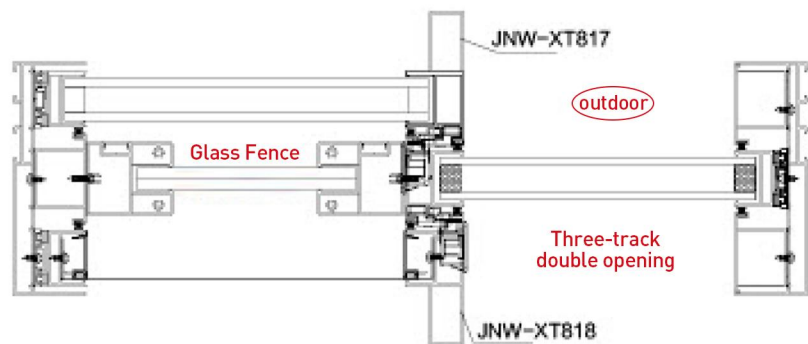
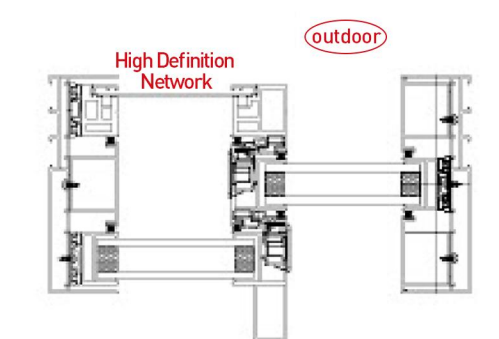
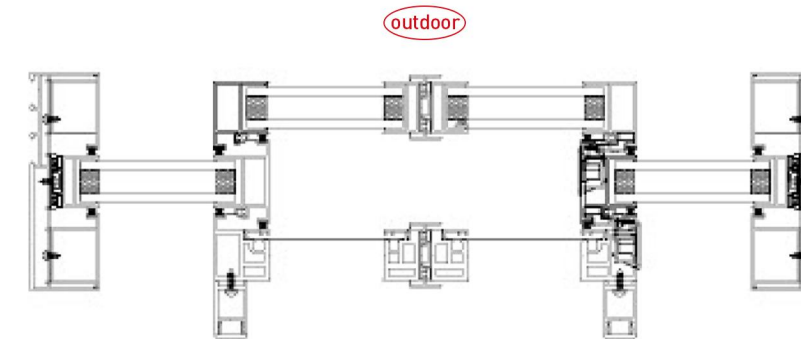
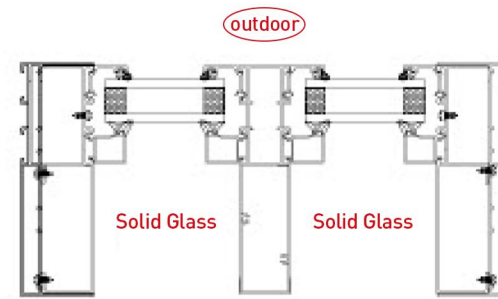
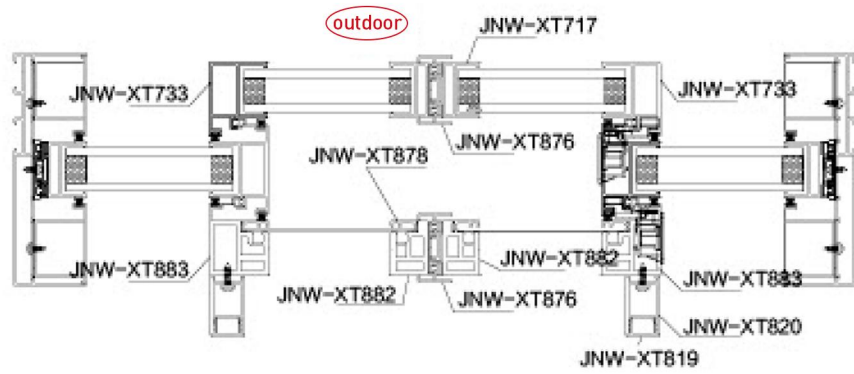
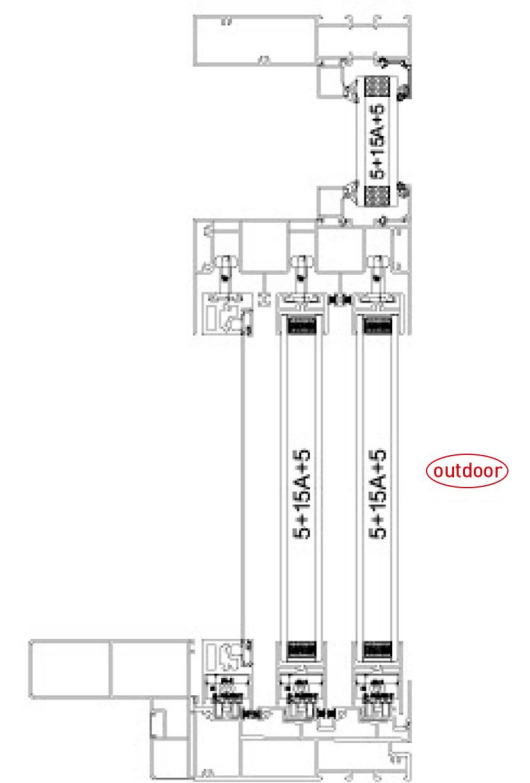
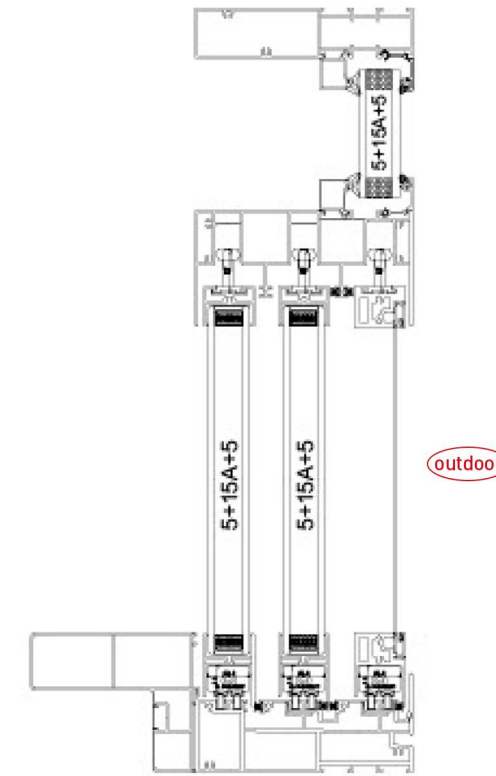
Three-rail assembly diagram



Consumables: 8.4kg/m<sup>2</sup>

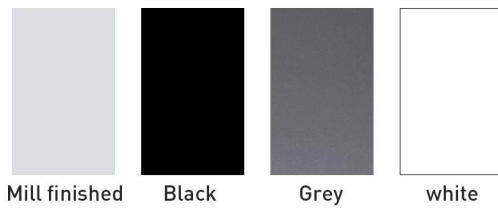


Six-rail assembly diagram





130+195 HEAVY DUTY DOOR WITH THERMAL BREAK LIFTING SERIES SPOT COLOR:



Mill finished Black Grey white

130 double track heavy lift sliding door

Length:6m

JNW-XT918 1.35kg/m

Lifting profiles

Number:JNW-TS918F	Name:top track
Weight:2.84kg/m	Wall Thickness:1.8mm

Length:6m

JNW-XT917

Number:JNW-XT917	Name:track cover
Weight:0.23kg/m	Wall Thickness:1.5mm

Length:6m

JNW-XT920 1.38kg/m

JNW-XT921 1.47kg/m

Lifting profiles

Number:JNW-TS921F	Name:bottom rail
Weight:3.0kg/m	Wall Thickness:1.8mm

Length:6m

JNW-XT1119G

Sinking pre-installed profiles

Number:JNW-XT1119G	Name:sink
Weight:0.97kg/m	Wall Thickness:2.0mm

Length:6m

JNW-XT1120G 1.57kg/m

JNW-XT920 1.38kg/m

Sinking pre-installed profiles

Number:JNW-TS1120G	Name:hidden underground bottom track
Weight:3.09kg/m	Wall Thickness:1.8mm

Length:6m

JNW-XT923 1.08kg/m

JNW-XT922 0.71kg/m

Number:JNW-BF923F	Name:outdoor vertical both side
Weight:1.93kg/m	Wall Thickness:2.0mm

Length:6m

JNW-XT924F

Number:JNW-XT924F	Name:outdoor vertical lock slot
Weight:0.44kg/m	Wall Thickness:1.4mm

Length:6m

JNW-XT911 0.8kg/m

JNW-XT912 0.88kg/m

Number:JNW-TS911F	Name:door frame slot
Weight:1.79kg/m	Wall Thickness:2.2mm

Length:6m

JNW-XT913

Number:JNW-XT913	Name:door frame cover
Weight:0.15kg/m	Wall Thickness:0.9mm

Length:6m

JNW-XT931F

Number:JNW-XT931F	Name:door vertical frame seal
Weight:0.66kg/m	Wall Thickness:1.4mm

Length:6m

JNW-XT930 0.87kg/m

JNW-XT929 0.45kg/m

Number:JNW-TS929F	Name:indoor interlock vertical glass frame
Weight:1.23kg/m	Wall Thickness:3.0mm

Length:6m

JNW-XT932 0.58kg/m

JNW-XT935 0.54kg/m

Number:JNW-TS935F	Name:outdoor interlock vertical glass frame
Weight:1.23kg/m	Wall Thickness:3.0mm

Length:6m

JNW-XT930 0.67kg/m      JNW-XT-1121 1.34kg/m

Reinforced profiles

Number:JNW-TS1121F	Name:indoor interlock vertical glass frame with handle
Weight:2.11kg/m	Wall Thickness:3.0mm

Length:6m

JNW-XT935 0.54kg/m      JNW-XT-1122 1.47kg/m

Reinforced profiles

Number:JNW-TS1122F	Name:outdoor interlock vertical glass frame with handle
Weight:2.11kg/m	Wall Thickness:3.0mm

Number:JNW-XT819	Name:external handle cover
Weight:0.13kg/m	Wall Thickness:1.8mm

Number:JNW-XT820	Name:external handle
Weight:0.5kg/m	Wall Thickness:1.8mm

Number:JNW-ZT939F	Name:mesh screen middle horizontal
Weight:1.37kg/m	Wall Thickness:1.6mm

Number:JNW-XT940	Name:mesh screen frame outside cover
Weight:0.7kg/m	Wall Thickness:1.2mm

Number:JNW-XT915	Name:mesh screen frame outside cover
Weight:0.41kg/m	Wall Thickness:1.2mm

Number:JNW-XT916	Name:mesh screen frame inside cover
Weight:0.1kg/m	Wall Thickness:1.2mm

Number:JNW-TS911F	Name:door frame slot
Weight:1.79kg/m	Wall Thickness:2.2mm

Number:JNW-XT911	Name:door frame slot
Weight:0.8kg/m	Wall Thickness:2.2mm

Number:JNW-XT912	Name:door frame slot
Weight:0.88kg/m	Wall Thickness:2.2mm

195 three track heavy lift sliding door

Length:6m

JNW-XT918 1.35kg/m      JNW-XT952 2.52kg/m

Lifting profiles

Number:JNW-TS952F	Name:top track
Weight:4.0kg/m	Wall Thickness:1.8mm

Number:JNW-XT917	Name:track cover
Weight:0.23kg/m	Wall Thickness:1.5mm

Length:6m

JNW-XT920 1.38kg/m      JNW-XT955 2.53kg/m

Lifting profiles

Number:JNW-TS955F	Name:bottom rail
Weight:4.05kg/m	Wall Thickness:1.8mm

Number:JNW-BF950F
 Name:outframe vertical both side || Weight:2.74kg/m | Wall Thickness:2.0mm |

Number:JNW-XT951
 Name:outframe vertical cover || Weight:0.37kg/m | Wall Thickness:1.4mm |

Number:JNW-XT924F
 Name:outdoor vertical lock slot || Weight:0.44kg/m | Wall Thickness:1.4mm |

Number:JNW-XT913	Name:door frame cover
Weight:0.15kg/m	Wall Thickness:0.9mm

Number:JNW-XT914	Name:door frame slot
Weight:0.23kg/m	Wall Thickness:1.5mm

Number:JNW-TS929F	Name:indoor interlock vertical glass frame
Weight:1.23kg/m	Wall Thickness:3.0mm

Number:JNW-XT930	Name:indoor interlock vertical glass frame
Weight:0.67kg/m	Wall Thickness:3.0mm

Number:JNW-XT929	Name:outdoor interlock vertical glass frame
Weight:0.45kg/m	Wall Thickness:3.0mm

Number:JNW-TS935F	Name:outdoor interlock vertical glass frame
Weight:1.23kg/m	Wall Thickness:3.0mm

Number:JNW-XT932	Name:outdoor interlock vertical glass frame
Weight:0.58kg/m	Wall Thickness:3.0mm

Number:JNW-XT935	Name:indoor interlock vertical glass frame
Weight:0.54kg/m	Wall Thickness:3.0mm

Number:JNW-TS930F	Name:middle double interlock vertical glass frame
Weight:1.32kg/m	Wall Thickness:3.0mm

Number:JNW-XT930	Name:middle double interlock vertical glass frame
Weight:0.67kg/m	Wall Thickness:3.0mm

Number:JNW-XT935	Name:middle double interlock vertical glass frame
Weight:0.54kg/m	Wall Thickness:3.0mm

Length:6m

JNW-XT930 0.67kg/m      JNW-XT-1121 1.34kg/m

Reinforced profiles

Number:JNW-TS1121F	Name:indoor interlock vertical glass frame with handle
Weight:2.11kg/m	Wall Thickness:3.0mm

Length:6m

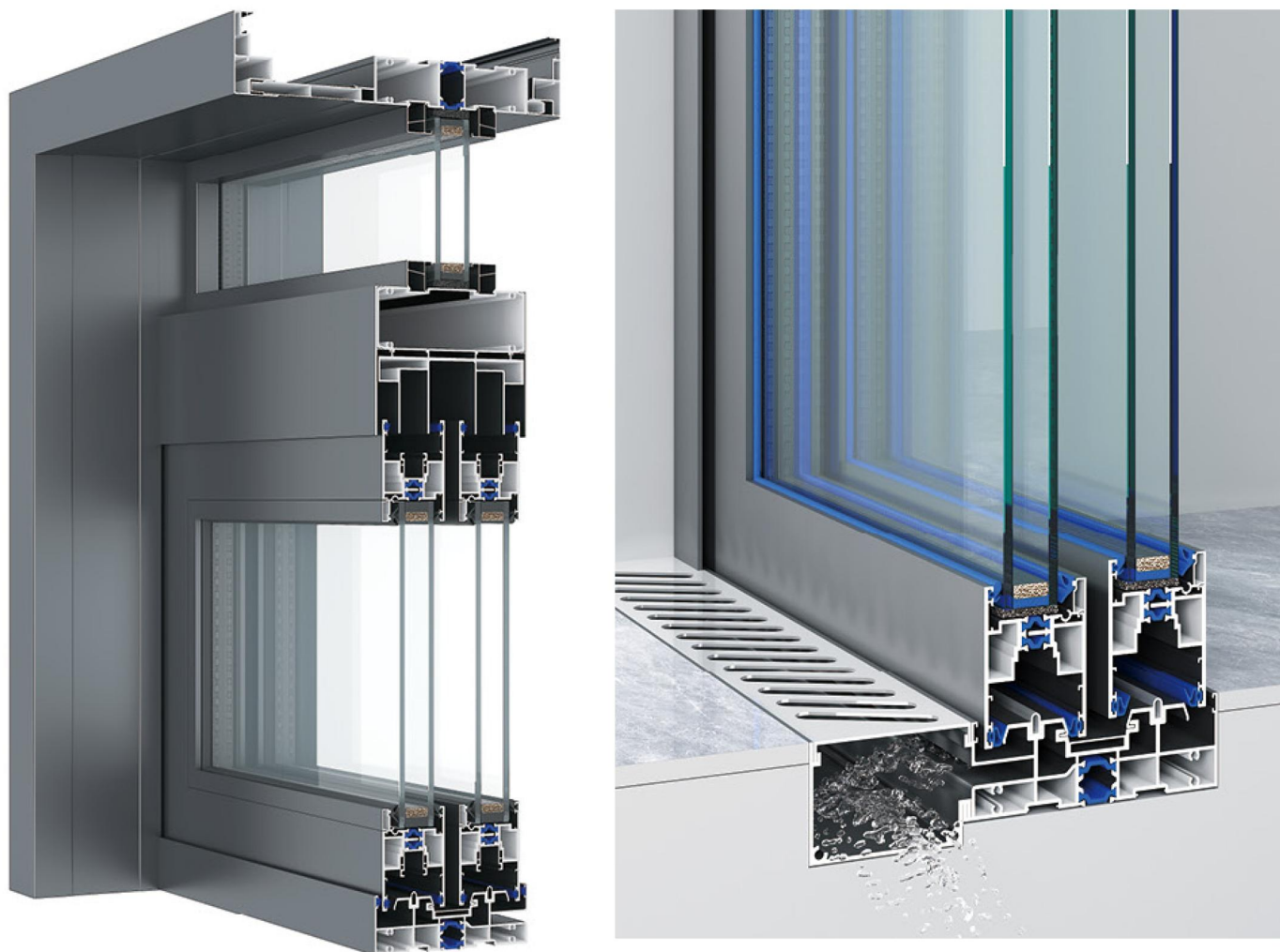
JNW-XT935 0.54kg/m      JNW-XT-1122 1.47kg/m

Reinforced profiles

Number:JNW-TS1122F	Name:outdoor interlock vertical glass frame with handle
Weight:2.11kg/m	Wall Thickness:3.0mm

Number:JNW-XT819	Name:external handle cover
Weight:0.13kg/m	Wall Thickness:1.8mm

Number:JNW-XT820	Name:external handle
Weight:0.5kg/m	Wall Thickness:1.8mm



Consumables: 10.5kg/m²

