



**LISHUAI FILM &
TELEVISION EQUIPMENT**



www.lishuai-lighting.com



**FOCUS 1000X_{PRO}
600D/X_{PRO}**

USER MANUAL

YUYAO LISHUAI FILM & TELEVISION EQUIPMENT CO.,LTD

Add: No.55 East Zhenxing Road, Yuyao City, Zhejiang Province, China

Tel: +86-574-62763333/62636368

Fax: +86-574-62636398

Email: Ls@lishuai.com.cn

www.lishuai-lighting.com

www.led-studiolights.com

www.lishuai.com.cn

I 600D PRO/600X PRO/1000X PRO I

Characteristics:

1. FOCUS 600D PRO/ 600X PRO/1000X PRO feature high-power COB LEDs with a lifespan of up to 50,000 hours. These LEDs have a standardized color temperature with a CRI & TLCI ≥ 94 and feature less than 1% illumination decay less over 6000 hours working time.
- 2.The light has rainproof function, can be used in rainy days.
- 3.Built-in NTC temperature detection to automatically control the fan and prevent overheating to ensure a long product life.
- 4.Dimmable from 0-100% and flicker-free due the PWM integrated design.
- 5.Color temperature is adjustable from 2700K-6500K for 600X PRO and 1000X PRO.
- 6.II pre-installed special effect modes to help you create the perfect scene. Brightness (600D PRO) and color temperature (600X PRO/1000X PRO) are adjustable in each mode. Speed is also adjustable on them.
- 7.Optional battery power via v-lock battery mounts on control box.
- 8.Firmware upgrade via USB.
- 9.Available control options: control box, DMX console, remote control, or mobile phone APP.
- 10.Use any Bowens mount accessory, such as the Included custom designed standard reflector.
- 11.Solid aluminum shell provides durability and enhanced heat dissipation for a long product life.
- 12.360°adjustable, all metal U-bracket featuring disc brake locking function for safely mounting and achieving any angle needed.
- 13.LED heat prevention technology ensures that your light will emit steady and accurate light under varying conditions.
- 14.The LCD displays real-time data for color temperature and brightness.
- 15.Suitable for indoor or outdoor photography and videography. Great for studio or location shoots including TV, film, portrait photography and more.

Warnings:

- 1.ALWAYS remove the protective cover before using your light.
- 2.ALWAYS press accessory lock button on the bottom of the light when removing accessories such as the standard reflector, barn doors or optional zoom lens. Failure to do so may damage your light.
- 3.During use, avoid dirt or debris from contacting the surface of the COB LED to prevent damage to the light.
- 4.HOT! DO NOT TOUCH! Keep flammable substance at least 4 inches(100mm) away from the surface of the LED.
- 5.Do not block the heat dissipation vents on light body. Blocking these will inhibit airflow, causing the unit to overheat and stop working. This may shorten the lifespan of the light.
- 6.Do not operate with wet hands, doing so may cause electric shock.
- 7.Do not operate in environments near flammable gases or volatile liquids as this may increase the risk of explosion/fire.
- 8.Do not operate in enclosed spaces where heat buildup can be extreme, such as a car on a sunny day. The increased heat will trigger the auto heat protection function and affect use. Frequent overheating may cause premature failure of the light unit.
- 9.Do not damage, disassemble, twist or modify the power cord as it may increase the risk of fire or electric shock.
- 10.Do not place under heavy objects.
- 11.Keep the light surface clean with a soft, dry cloth. If build-up is noticeable, use isopropyl alcohol on a soft, clean cloth to gently remove debris. Ensure the LED is off and cool, then wipe gently WITHOUT pressing on the surface of the COB LED.
- 12.ONLY use the power control box provided with this product. Should you ONLY need a replacement, please contact us.
- 13.Avoid impact to the LCD screen; impact may damage it.
- 14.Use the safety cable when hanging the fixture.
- 15.When using the accessories, please ensure that they are properly and securely installed. Improperly installed accessories may fall and become damaged.
- 16.ALWAYS connect the DMX cable and power cable before powering on to prevent a line failure from a short circuit.
- 17.Please be sure to use the original accessories in the package.
- 18.Please note that the light ID number is under the handle and the control box ID number is below the operation buttons.
- 19.Please refer to the instruction label on the the battery plate before using the battery.

Packing List:



- | | |
|--------------------------------------|---|
| ① 600D PRO/ 600X PRO/ 1000X PRO -IPC | ② Protective cover -IPC |
| ③ Standard Reflector -IPC | ④ Power control box -IPC |
| ⑤ DMX cable -IPC | ⑥ Connecting cable -IPC |
| ⑦ AC Power cable -IPC | ⑧ Safety cable -IPC |
| ⑨ Instruction manual -IPC | ⑩ Custom fit hard case (for 600D PRO/ 600X PRO) – IPC |
| ⑪ Aluminum case (for 1000X PRO)-IPC | |

Optional accessories:



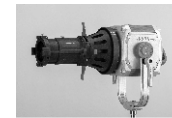
Deep Parabolic Softbox



Lantern Softbox



Octagon softbox



Spotlight mount



50° reflector



Dish reflector and honeycomb grid



Fresnel lens mount

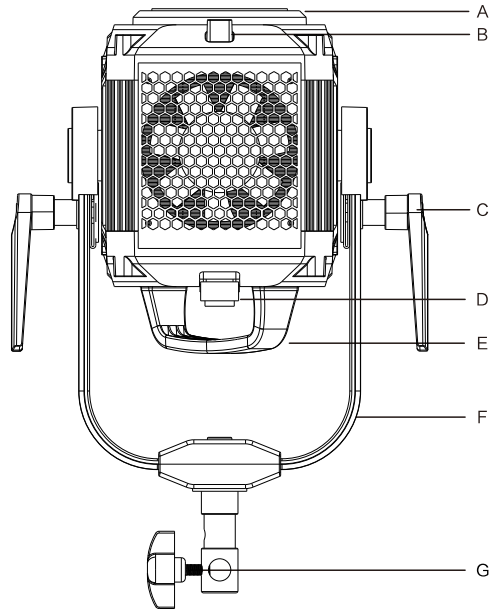


Remote control



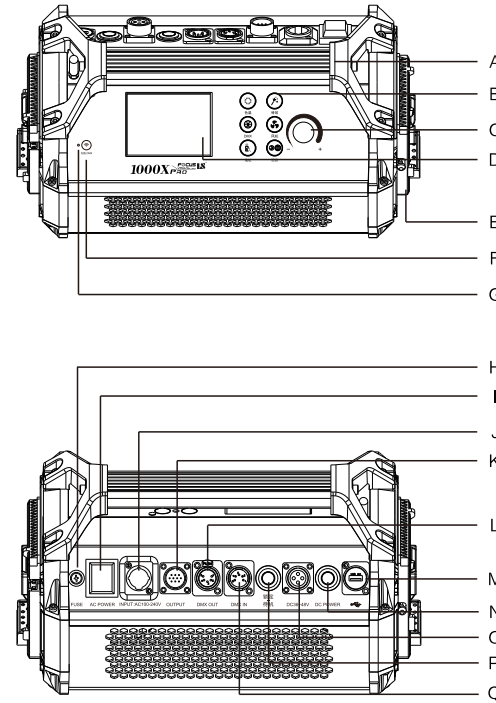
Wireless DMX transmitter

Parts Diagram(light) :



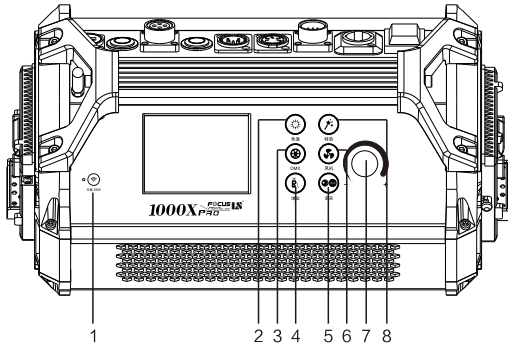
- Ⓐ Bowen mount
- Ⓑ Bowens mount accessory lock button
- Ⓒ Angle adjustment & locking handle
- Ⓓ DC power input socket
- Ⓔ Integrated caring handle
- Ⓕ U-type bracket
- Ⓖ Stand mount locking screw

Parts Diagram(power control box):



- Ⓐ Power control box handle
- Ⓑ Menu buttons
- Ⓒ Multi-function interface dial/button
- Ⓓ LCD screen
- Ⓔ V-lock battery plate
- Ⓕ Wireless DMX
- Ⓖ Wireless DMX indicator
- Ⓗ Fuse
- Ⓘ Power button
- Ⓢ AC Power input socket
- Ⓚ DC output socket
- Ⓛ DMX out
- Ⓜ USB port
- Ⓝ Battery on/off switch
- Ⓟ DC input socket (DC36-48V)
- Ⓟ Lock/standby button
- Ⓠ DMX IN socket

Menu buttons on the power control box:



- ① Wireless DMX button
- ② INT(brightness) button (600DPRO)
CCT (Color temperature) button
(600XPRO/1000XPRO)
- ③ DMX button
- ④ Addr. Settings (Address setting) button
- ⑤ Lang.(Language) button
- ⑥ Fan button
- ⑦ Multi-function interface dial/button
- ⑧ FX (Special effect) button

Specifications:

Spec	Model	600D PRO	600X PRO	1000X PRO
LED		600W COB		1000W COB
Beam angle		120°		
CRI		≥96	≥95	≥95
Color temperature		5600K(±300K) 2700K(±200K)-6500K(±300K)		
Dimming		0-100%		
TLCI		≥96	≥95	≥96
Power		660W max	500W max	680W max
Working voltage		AC100-240V , DC36-48V		
Cooling system		Heat pipe radiator , Temperature controlled fan		
Dimension (light body)		10.4 x 12.1 x 16.8" (263x307x426MM)		
Dimension (power control box)		14.9x 7.3 x 8.3" (378x185x212MM)		
Weight		Light body: 12.1 lb (5.49kg), Power control box: 18.3 lb (8.3kg)		
Included accessories		Standard reflector, Protective cover, Power cable, DMX cable, Connecting cable, Safety cable, Custom carrying case		
Optional accessories		Deep Parabolic Softbox, Lantern Softbox, Octagon softbox, Spotlight mount, 50° reflector , Dish reflector and honeycomb grid, Fresnel lens mount, Remote control , Wireless DMX		

600D PRO illuminance:

Distance	Light without reflector	Light with standard reflector
1M	20500LUX	278000LUX
3M	2872LUX	16438LUX
5M	1218LUX	5533LUX
8M	531 LUX	2341LUX

600X PRO illuminance without reflector :

Distance	Color temperature				
	2700K	3200K	4400K	5600K	6500K
1m	7302Lux	9638Lux	14381Lux	10183Lux	9108Lux
3m	1002Lux	1290Lux	1937Lux	1428Lux	1235Lux
5m	421Lux	549Lux	819Lux	599Lux	524Lux
8m	185Lux	241Lux	360Lux	266Lux	232Lux

600X PRO illuminance with standard reflector 15° :

Distance	Color temperature				
	2700K	3200K	4400K	5600K	6500K
1m	104500Lux	142800Lux	210600Lux	156300Lux	136000Lux
3m	6402Lux	8398Lux	12476Lux	9388Lux	8108Lux
5m	2131Lux	2805Lux	4159Lux	3135Lux	2702Lux
8m	894Lux	1172Lux	1730Lux	1294Lux	1128Lux

1000X PRO illuminance without reflector :

Distance	Color temperature				
	2700K	3200K	4400K	5600K	6500K
1m	12258Lux	16641Lux	18389Lux	18830Lux	16451Lux
3m	1669Lux	2199Lux	2463Lux	2543Lux	2222Lux
5m	701Lux	933Lux	1038Lux	1074Lux	943Lux
8m	308Lux	410Lux	458Lux	474Lux	416Lux

1000X PRO illuminance with standard reflector 15° :

Distance	Color temperature				
	2700K	3200K	4400K	5600K	6500K
1m	146900Lux	197000Lux	224500Lux	230000Lux	197800Lux
3m	9349Lux	12412Lux	13751Lux	14386Lux	12744Lux
5m	3177Lux	4186Lux	4645Lux	4862Lux	4306Lux
8m	1353Lux	1780Lux	1979Lux	2078Lux	1838Lux

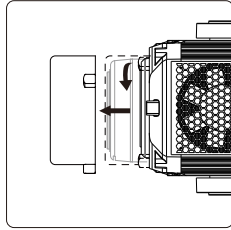
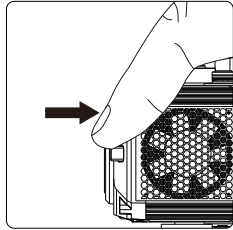
Set up instructions:

1. Removal and installation of protective cover/Bowens mount accessories

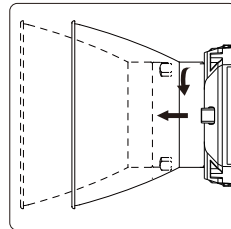
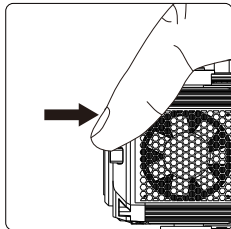
To remove the protective cover: Press the Bowens mount accessory lock button in the direction of the arrow shown in the figure. While continuing to hold the lock button, turn the protective cover counterclockwise and pull out to remove. To install the protective cover: Align the protective cover with the Bowens mount, insert and turn clockwise until cover securely clicks into place.

NOTE: ALWAYS remove the protective cover before using your light.

When the light is not in use, install the protective cover to protect the light from dirt or debris.

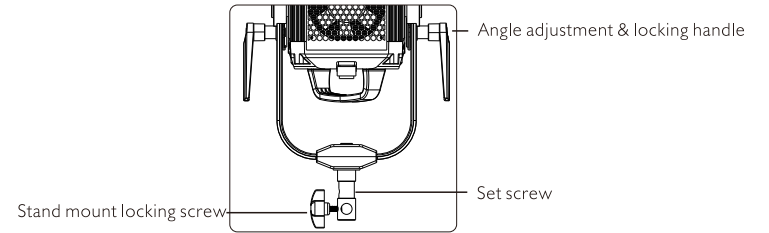


2. Installation and removal of the standard reflector.



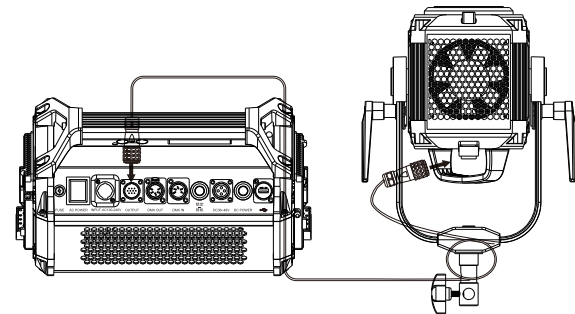
3. How to set up the light

- (1) To mount on light support or stud: Loosen the stand mount locking screw by turning counterclockwise. Place the mount on the light stand and secure the screw by turning clockwise. Please ensure the light stand is fully mounted onto the light support and the screw is securely fastened.
- (2) When mounting to a 1 1/8" (junior) stud, it will be necessary to remove the set screw using an M4 hex wrench.
- (3) Adjust the light to the desired angle by loosening the angle adjustment and locking handle by turning counterclockwise. Move the light to the desired position, then tighten the angle adjustment and locking handle by turning clockwise.

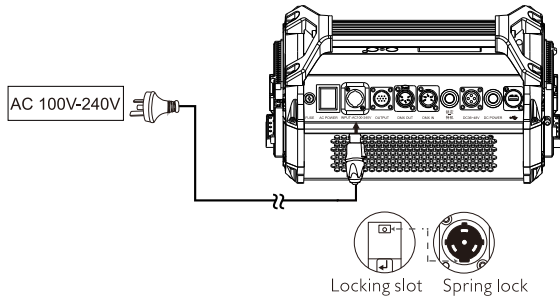


4. How to set up the power control box

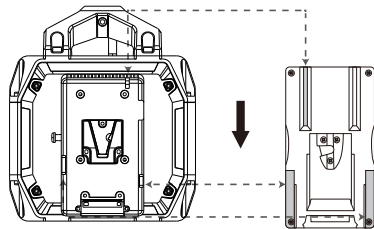
- (1) Use the connecting cable to connect the light body to the power control box, align the dots on the plug and socket, and then insert the plug to the socket. To unplug, pull up the collar of the connector to release the locking mechanism and disconnect it by pulling gently away from the device.



(2) Connect the AC power cable to the power control box via the AC power socket, align it with the locking slot as shown in the figure below, and then insert the power plug.
 Connect the AC power cable to the external power supply (AC100-240V). To remove the AC power cable, press down the spring lock and turn counterclockwise, and gently pull away from the power control box to remove.



NOTE: Remove batteries when using external AC power. Leaving batteries installed may cause damage to the control box and/or batteries. ALWAYS remove batteries when the light is not in use for extended periods of time. And the battery requirement is 13-30V/15A, ≥ 180WH.

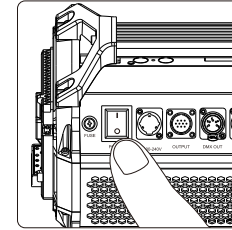


Lishuai laboratory uses the Rolux Battery for testing the product working time.

Battery and run time	600D PRO	600X PRO	1000X PRO
RL-230S (14.8V 230Wh)	65 mins (60% of the total product power)	90 mins (60% of the total product power)	75 mins (60% of the total product power)
RL-190S (14.8V 190Wh)	55 mins (60% of the total product power)	75 mins (60% of the total product power)	60 mins (60% of the total product power)
BI2250 (26V 260Wh)	45 mins (100% of the total product power)	60 mins (100% of the total product power)	50 mins (100% of the total product power)

Operating instructions:

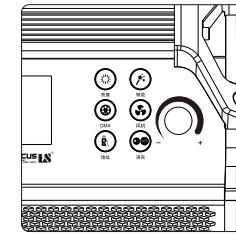
1. Press the power button to power the light ON or OFF.



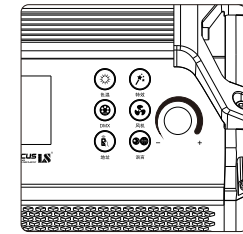
2. Control via power control box

(1) Introduction to Menu Buttons

600D PRO menu buttons : Intensity (brightness) button, FX button, DMX button, Fan button, Address Settings button, Language button and Multi-functional interface dial/button.
 600X PRO/ 1000X PRO menu buttons: CCT (color temperature) button, FX button, DMX button, Fan button, Address Settings button, Language button and Multi-function interface dial/button.



(600D PRO)

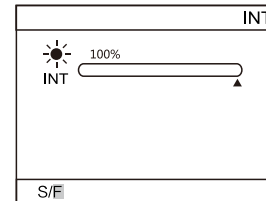


(600X PRO/ 1000X PRO)

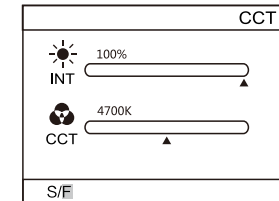
(2) Intensity (brightness) and CCT (color temperature) button operation

600D PRO: Press the intensity button, then turn the multi-function interface dial to increase or decrease the brightness of the light. Brightness is adjustable from 0-100%.

600X PRO/ 1000X PRO: Press the CCT button, then press the multi-function interface button to switch between the brightness and color temperature modes, turn the multi-function interface dial to adjust the brightness between 0-100%, and the color temperature between 2700K-6500K.



(600D PRO)

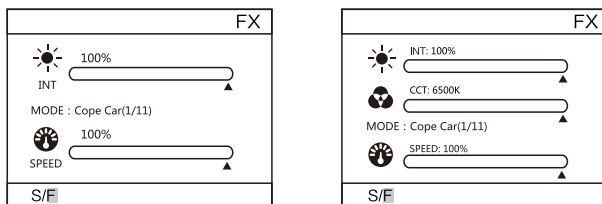


(600X PRO/1000X PRO)

(3)FX button (Special effect button)

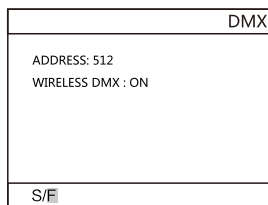
600D PRO: Press the FX button, then press the multi-function interface button to switch between INT(brightness), mode and speed. Turn the multi-functional interface dial to control the brightness 0-100% , special effect and speed. The special effect mode includes lightning, fireworks,flash, breath, cop car, SOS, fault bulb, turn signal, tracing, screen, H&L beam.

600X PRO/ 1000X PRO: Press the FX button, then press the multi-function interface button to switch between brightness, color temperature, mode and speed 0-100%.Turn the multi-functional interface dial to control the brightness 0-100% , color temperature 2700K-6500K, special effect and speed 0-100%. The special effect mode includes lightning, fireworks,flash, breath, cop car, SOS, fault bulb, turn signal, tracing, screen, H&L beam.



(4)DMX button

Press the DMX button, turn the multi-function interface dial to change the address of the fixture. DMX address range is 1-512. Short press the multi-function interface button to make get access to the wireless DMX model.



Press each time the "wireless DMX button" on the left of the LCD screen, the wireless DMX indicator shows the different colors of red, green, yellow, blue, purple, cyan and white. The different colors means different ID numbers. The working status of the wireless DMX indicator is as below.

Indicator working conditions	Signals receiving condition
Be continuously on	No wireless DMX signal
Green color flashes	Signal is being received

Note: To use the wireless DMX control function, please make sure the signal from the transmitter is the the same as the signal on the control box, means that the wireless DMX indicators on the control box and the transmitter show the same color.

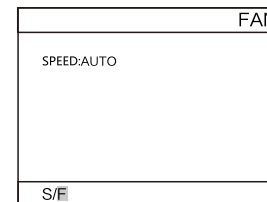
Wireless DMX transmitter operation instructions

- 1)Connect the wireless transmitter to the DMX console, and power on the wireless transmitter.
- 2) Try to use a small stick to press the button of the wireless DMX transmitter, the indicator on it shows different colors of red, green, yellow, blue, purple, cyan and white. The different colors means different ID numbers. Make sure the color is the same as the indicator color on the control box. The working status of the wireless DMX transmitter is as below,

Indicator working conditions	Signals transmitting condition
Be continuously on	No wireless DMX signal
Red color flashes	Signal is being transmitted

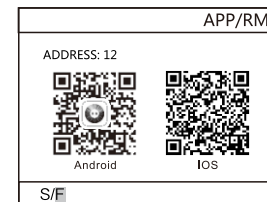
(5)Fan button

Press the fan button, turn the multi-function interface dial to change the speed of the fan between low, medium, high and auto.



(6)Addr:(Address) setting button

Press the addr. setting button, turn the multi-function interface dial to change APP/remote address between 1-12. Noted:RM-OFF means that the remote control function can not be used.



(7)Language button

Press language button, turn the multi-function interface dial to switch system language between English and Chinese.



(8)Fast and slow adjustments

Press the multi-function interface button for 5 seconds or longer to switch between fast and slow adjustments. The indicator at the bottom of the LCD will change between fast and slow to indicate which adjustment mode is active.

(9)Lock/standby button, press the button, the indicator lights up and enters the lock mode.

Press again the button, the indicator flashes and enters the standby state. Press the button for the 3rd time, the indicator goes out and enters the working mode.

3. Use of Lishuai mobile phone APP

Please search "Lishuai" on the App store, or you can scan the below QR codes to download the APP for the Android and IOS mobile phone.

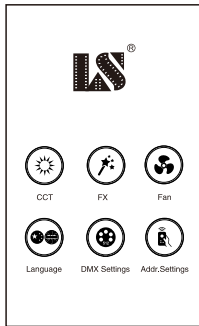


Android

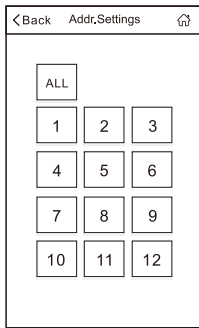


IOS

(1) Get access to the Lishuai APP, choose light "Focus" series of lights to enter the product list interface, and select the appropriate model to the operation interface.



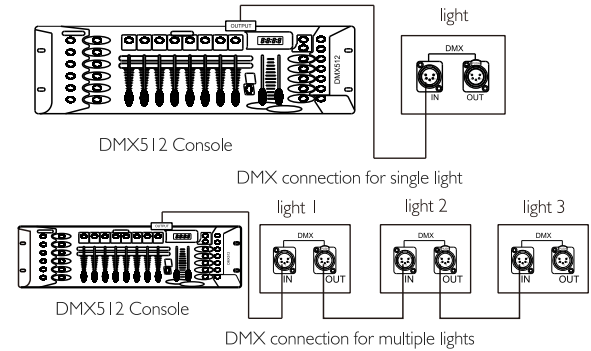
(2) Click the address interface, select the address the same as the light control box. There are 12 addresses currently from address 1 to 12.



(3) Then the APP can control the light, adjust the color temperature, FX, fan, language, DMX settings and address settings.

4. DMX connection

When using DMX function, connect the DMX cable to the DMX console (see the figure below). Set the DMX address to desired address for control on the DMX console.

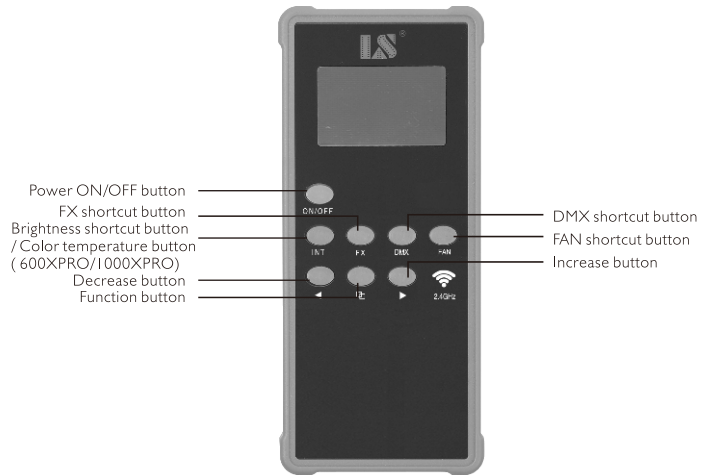


5. DMX control:

Please see below details of DMX address on LCD and corresponding channels on DMX console.

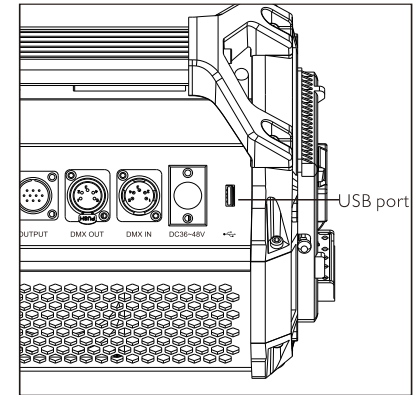
LCD display address	DMX console channels (single color temperature)	DMX console channels (Bi-color temperature)
1	1-1(Brightness)	1-1(brightness), 1-2(color temperature)
2	1-2(Brightness)	1-2(brightness), 1-3(color temperature)
.....
16	1-16(Brightness)	1-16(brightness), 2-1(color temperature)
17	2-1(Brightness)	2-1(brightness), 2-2(color temperature)
.....
511	32-15(Brightness)	32-15(brightness), 32-16(color temperature)
512	32-16(Brightness)	X

6. Remote control operating instructions:



- (1) Set the wireless receiving address of the light by following the instructions for APP/remote Address mode. The address can be set from 1-12.
- (2) Press the Function button to select the first line on the LCD. Move the cursor to the Address setting. Use the Increase button or Decrease button to set the address between 1-12.
- (3) Ensure that the APP/Remote Address setting on the light and the Address setting on the remote control are the same. The light/lights with the same address setting can now be controlled normally with the remote control.
- (4) When pressing the Function button, the first line on the LCD is selected. Switch between INT(brightness), FX, DMX setting, Fan, APP/Remote and Lang.(language) modes by using the Increase/Decrease buttons to change the corresponding data.
- (5) The wireless remote control has a working distance of approximately 65 feet (20 meters)

7.USB port operation:



When the device requires a software upgrade, the upgrade can be applied by connecting a USB flash drive through the USB port. Software upgrades can be found on www.lishuai-lighting.com

Upgrade Operation:

- (1) Download the updates from www.lishuai.com.cn and save to USB flash drive.
- (2) Remove the dustproof plug from the USB port and insert the USB flash drive loaded with the upgrade program.
- (3) Press the Power ON/OFF button to turn the power ON. The DATA indication light will flash.
- (4) The upgrade will take approximately 10 seconds. The upgrade is complete when the product information appears on the LCD.
- (5) When the upgrade is complete, remove the USB flash drive and replace the dustproof plug.

Warranty: LED lights are guaranteed for 1 years.