



**LISHUAI FILM &
TELEVISION EQUIPMENT**



www.lishuai-lighting.com



1000D_{PRO} | 2000X_{PRO}

USER MANUAL

YUYAO LISHUAI FILM & TELEVISION EQUIPMENT CO.,LTD

Add: No.55 East Zhenxing Road, Yuyao City, Zhejiang Province, China

Tel: +86-574-62763333/62636368

Fax: +86-574-62636398

Email: Ls@lishuai.com.cn

www.lishuai-lighting.com

www.led-studiolights.com

www.lishuai.com.cn

11000DPRO/2000XPRO1

Characteristics:

- 1.The FOCUS 11000D PRO/ 2000X PRO feature high-power COB LEDs with a lifespan of up to 50,000 hours. These LEDs have a standardized color temperature with a CRI & TLCI ≥ 95 .
- 2.The light has rainproof function, can be used in rainy days.
- 3.Built-in NTC temperature detection to automatically control the fan and prevent overheating to ensure a long product life.
- 4.Dimmable from 0-100.0% for and flicker-free due the PWM integrated design. And it also supports four dimming curves of Exponential, Log, S-curve and Linear.
- 5.11 pre-installed special effect modes to help you create the perfect scene. Brightness (11000D PRO) and color temperature (2000X PRO) are adjustable in each mode. Speed in special effect modes is also adjustable on them.
- 6.The power control box can be connected to an external battery, which is convenient for on-site work.
- 7.Firmware upgrade via USB port.
- 8.Available control options: power control box, DMX console, remote control, or mobile phone APP.
- 9.Support wireless control by wire or wireless DMX and also compatible with LumenRadio CRMX.
- 10.Use any Bowens mount accessory, such as the Included custom designed standard reflector.
- 11.Solid aluminum shell provides durability and enhanced heat dissipation for a long product life.
- 12.360°adjustable, all metal U-bracket featuring disc brake locking function for safely mounting and achieving any angle needed.
- 13.LED heat prevention technology ensures that your light will emit steady and accurate light under varying conditions.
- 14.The LCD displays real-time data for color temperature and brightness.
- 15.Suitable for indoor or outdoor photography and videography. Great for studio or location shoots including TV, film, portrait photography and more.

Warnings:

- 1.ALWAYS remove the protective cover before using your light.
- 2.ALWAYS press accessory lock button on the bottom of the light when removing accessories such as the standard reflector,barn doors or optional zoom lens. Failure to do so may damage your light.
- 3.During use, avoid dirt or debris from contacting the surface of the COB LED to prevent damage to the light.
- 4.HOT! DO NOT TOUCH ! Keep flammable substance at least 4 inches(100mm) away from the surface of the LED.
- 5.Do not block the heat dissipation vents on light body. Blocking these will inhibit airflow, causing the unit to overheat and stop working. This may shorten the lifespan of the light.
- 6.Do not operate with wet hands, doing so may cause electric shock.
- 7.Do not operate in environments near flammable gases or volatile liquids as this may increase the risk of explosion/fire.
- 8.Do not operate in enclosed spaces where heat buildup can be extreme, such as a car on a sunny day. The increased heat will trigger the auto heat protection function and affect use. Frequent overheating may cause premature failure of the light unit.
- 9.Do not damage, disassemble, twist or modify the power cord as it may increase the risk of fire or electric shock.
- 10.Do not place under heavy objects.
- 11.Keep the light surface clean with a soft, dry cloth. If build-up is noticeable, use isopropyl alcohol on a soft, clean cloth to gently remove debris. Ensure the LED is off and cool, then wipe gently WITHOUT pressing on the surface of the COB LED.
- 12.ONLY use the power control box provided with this product. Should you need a replacement, please contact us.
- 13.Avoid impact to the LCD screen; impact may damage it.

14.Use the safety cable when hanging the fixture.

15.When using the accessories, please ensure that they are properly and securely installed. Improperly installed accessories may fall and become damaged.

16.Please be sure to make connection of the power cable and DMX cables (if possible) before turning on the light.

17.Please be sure to use the standard included accessories with the lights.

18.When you have any problems please contact us by providing the product series numbers on the light. The series number for the light body is below the handle, and for the power control box is near the operation buttons.

Packing List:

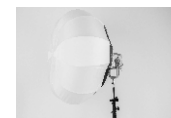


- | | |
|------------------------------|--------------------------|
| ① 11000D PRO/ 2000X PRO -IPC | ② Protective cover -IPC |
| ③ Standard Reflector -IPC | ④ Power control box -IPC |
| ⑤ DMX cable -IPC | ⑥ Connecting cable -IPC |
| ⑦ AC Power cable -IPC | ⑧ Safety cable -IPC |
| ⑨ Instruction manual -IPC | ⑩ Custom fit case -IPC |

Optional accessories:



Deep Parabolic Softbox



Lantern Softbox



Octagon softbox



10° /25° reflector



Remote control

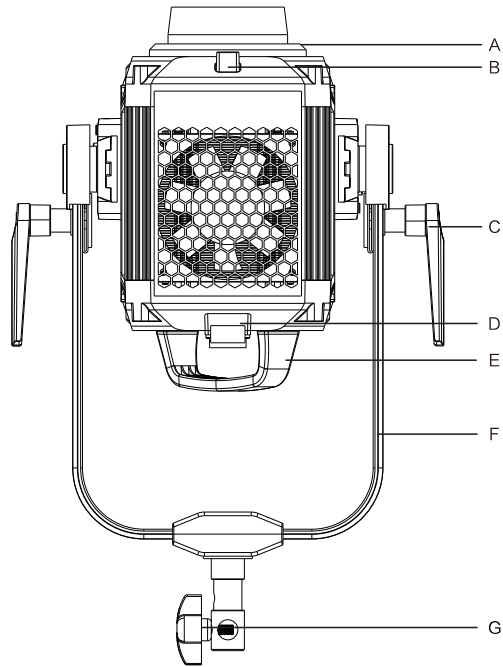


Wireless DMX transmitter



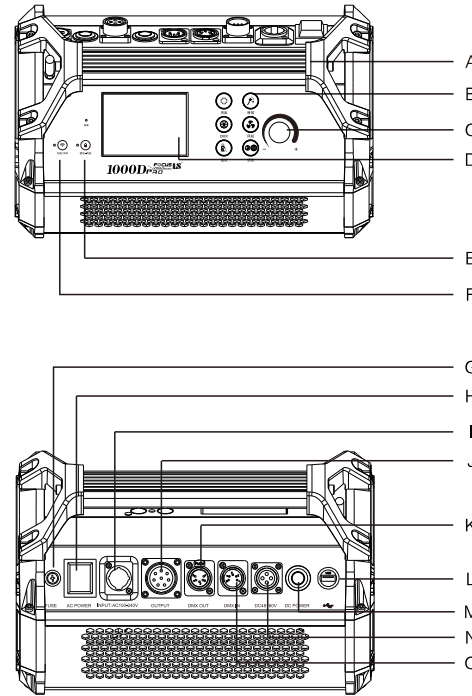
Control box fixing bracket

Parts Diagram(light) :



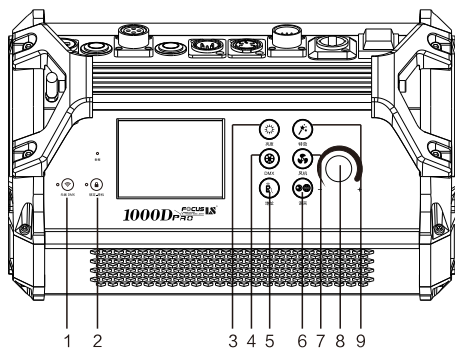
- Ⓐ Bowen mount
- Ⓑ Bowens mount accessory lock button
- Ⓒ Angle adjustment & locking handle
- Ⓓ DC power input socket
- Ⓔ Integrated caring handle
- Ⓕ U-type bracket
- Ⓖ Stand mount locking screw

Parts Diagram(power control box):



- Ⓐ Power control box handle
- Ⓑ Menu buttons
- Ⓒ Multi-function interface dial/button
- Ⓓ LCD screen
- Ⓔ Wireless DMX
- Ⓕ Lock/standby button
- Ⓖ Fuse
- Ⓗ Power button
- Ⓘ AC Power input socket
- Ⓢ DC output socket
- Ⓚ DMX out
- Ⓛ USB port
- Ⓜ DC input on/off switch
- Ⓝ DC input socket (DC48-60V)
- Ⓞ DMX IN socket

Menu buttons on the power control box:



- ① Wireless DMX button
- ② Lock/standby button
- ③ INT(brightness) button (1000DPRO)
CCT (Color temperature) button (2000XPRO)
- ④ DMX button
- ⑤ Addr. Settings (Address setting) button
- ⑥ Lang.(Language) button
- ⑦ Fan button
- ⑧ Multi-function interface dial/button
- ⑨ FX (Special effect) button

Specifications:

Spec	Model	1000D PRO	2000X PRO
LED		1000W COB	1000W cool + 1000W warm
Beam angle		90°	
Dimming		0-100.0%	
Color temperature		5600K(±300K)	2700K(±200K)~6500K(±300K)
CRI		≥96	≥95
TLCI		≥96	≥96
Power		1000W	1000W max
Working voltage		AC100~240V,DC48~60V	
Cooling system		Heat pipe radiator , Temperature controlled fan	
light body Size (including bracket)		313x352x498mm	
light body Size (Without bracket)		313x219x210mm	
power control box Size		382x185x229mm	
Weight		Light body: 16 lb (7.25kg), Power control box: 17 lb (7.7kg)	
Included accessories		Standard reflector, Protective cover, Power cable, DMX cable, Connecting cable, Safety cable, Custom carrying case	

1000D PRO illuminance:

Distance	Light without reflector	with standard reflector 45°	with standard reflector 10°	with standard reflector 25°
2m	14727Lux	26453Lux	—	88225Lux
3m	6592Lux	11118Lux	63998Lux	37104Lux
5m	2455Lux	3864Lux	22508Lux	12336Lux
7m	1300Lux	1989Lux	11367Lux	6152Lux
9m	849Lux	1274Lux	6867Lux	3711Lux

2000X PRO illuminance without reflector :

Distance	Color temperature Illuminance	2700K	3200K	4400K	5600K	6500K
2m		7949Lux	8923Lux	10332Lux	10839Lux	10800Lux
3m		3586Lux	4023Lux	4684Lux	4910Lux	4913Lux
5m		1350Lux	1517Lux	1756Lux	1844Lux	1845Lux
7m		710Lux	803Lux	928Lux	976Lux	979Lux
9m		462Lux	525Lux	607Lux	638Lux	640Lux

2000X PRO illuminance with standard reflector 45° :

Distance	Color temperature Illuminance	2700K	3200K	4400K	5600K	6500K
2m		16066Lux	18282Lux	21143Lux	22188Lux	22340Lux
3m		6750Lux	7633Lux	8832Lux	9283Lux	9282Lux
5m		2359Lux	2648Lux	3062Lux	3212Lux	3192Lux
7m		1221Lux	1375Lux	1590Lux	1668Lux	1659Lux
9m		779Lux	877Lux	1015Lux	1065Lux	1058Lux

2000X PRO illuminance with standard reflector 10° :

Distance	Color temperature Illuminance	2700K	3200K	4400K	5600K	6500K
2m		95504Lux	—	—	—	22340Lux
3m		41879Lux	47333Lux	53889Lux	57077Lux	56735Lux
5m		14210Lux	16106Lux	18350Lux	19666Lux	19393Lux
7m		7128Lux	8105Lux	9188Lux	9891Lux	9795Lux
9m		4279Lux	4863Lux	5500Lux	5964Lux	5924Lux

2000X PRO illuminance with standard reflector 25° :

Distance	Color temperature Illuminance	2700K	3200K	4400K	5600K	6500K
2m		56595Lux	63578Lux	73892Lux	77016Lux	76999Lux
3m		22735Lux	25751Lux	29929Lux	31278Lux	31149Lux
5m		7474Lux	8470Lux	9789Lux	10331Lux	10340Lux
7m		3727Lux	4215Lux	4849Lux	5137Lux	5159Lux
9m		2250Lux	2537Lux	2961Lux	3110Lux	3130Lux

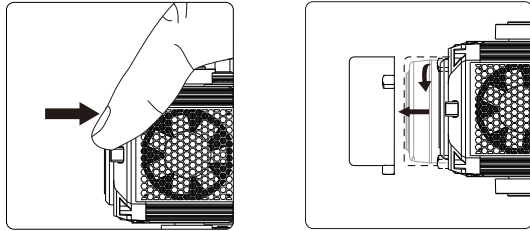
Set up instructions:

1. Removal and installation of protective cover/Bowens mount accessories

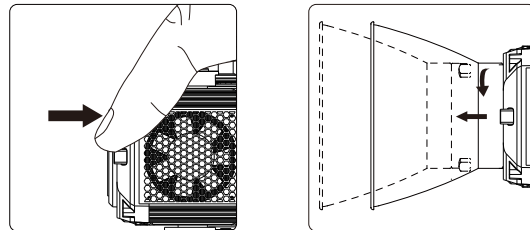
To remove the protective cover: Press the Bowens mount accessory lock button in the direction of the arrow shown in the figure. While continuing to hold the lock button, turn the protective cover counterclockwise and pull out to remove. To install the protective cover: Align the protective cover with the Bowens mount, insert and turn clockwise until cover securely clicks into place.

NOTE: ALWAYS remove the protective cover before using your light.

When the light is not in use, install the protective cover to protect the light from dirt or debris.

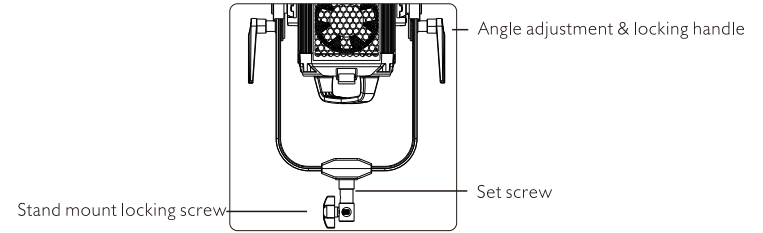


2. Installation and removal of the standard reflector.



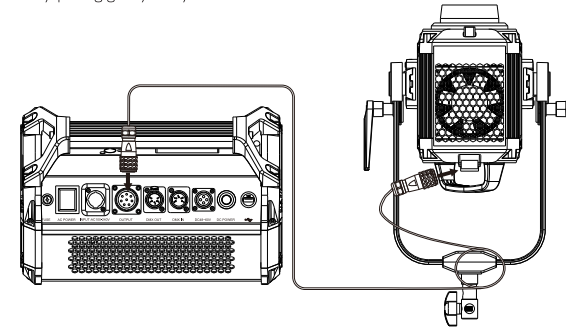
3. How to set up the light

- (1) To mount on light support or stud: Loosen the stand mount locking screw by turning counterclockwise. Place the mount on the light stand and secure the screw by turning clockwise. Please ensure the light stand is fully mounted onto the light support and the screw is securely fastened.
- (2) When mounting to a 1 1/8" (junior) stud, it will be necessary to remove the set screw using an M4 hex wrench.
- (3) Adjust the light to the desired angle by loosening the angle adjustment and locking handle by turning counterclockwise. Move the light to the desired position, then tighten the angle adjustment and locking handle by turning clockwise.

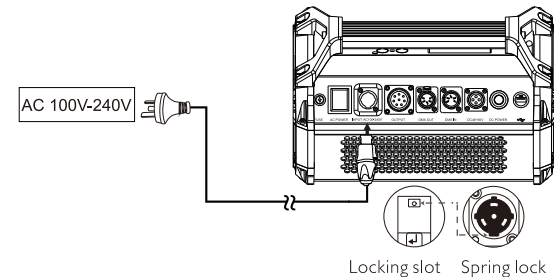


4. How to set up the power control box

(1) Use the connecting cable to connect the light body to the power control box, align the dots on the plug and socket, and then insert the plug to the socket. To unplug, pull up the collar of the connector to release the locking mechanism and disconnect it by pulling gently away from the device.

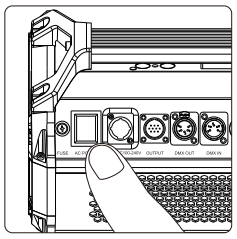


(2) Connect the AC power cable to the power control box via the AC power socket, align it with the locking slot as shown in the figure below, and then insert the power plug. Connect the AC power cable to the external power supply (AC 100-240V). To remove the AC power cable, press down the spring lock and turn counterclockwise, and gently pull away from the power control box to remove.



Operating instructions:

1. Press the power button to power the light ON or OFF.

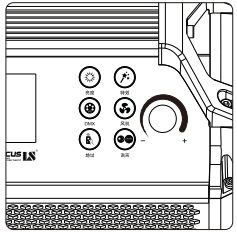


2. Control via power control box

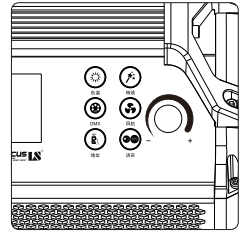
(1) Introduction to Menu Buttons

1000D PRO menu buttons : Intensity (brightness) button, FX button, DMX button, Fan button, Address Settings button, Language button and Multi-functional interface dial/button.

2000X PRO menu buttons: CCT (color temperature) button, FX button, DMX button, Fan button, Address Settings button, Language button and Multi-functional interface dial/button.



(1000D PRO)

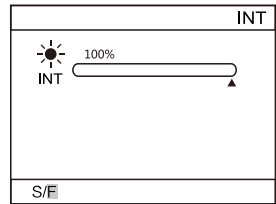


(2000X PRO)

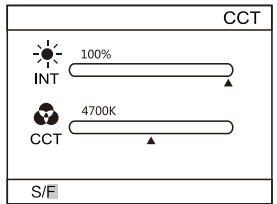
(2) Intensity (brightness) and CCT (color temperature) button operation

1000D PRO: Press the intensity button, then turn the multi-function interface dial to increase or decrease the brightness of the light. Brightness is adjustable from 0-100%.

2000X PRO: Press the CCT button, then press the multi-function interface button to switch between the brightness and color temperature modes, turn the multi-function interface dial to adjust the brightness between 0-100%, and the color temperature between 2700K-6500K.



(1000D PRO)

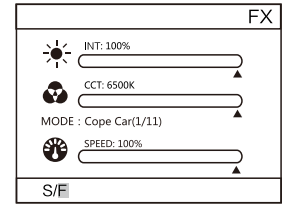
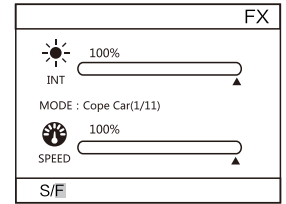


(2000X PRO)

(3) FX button (Special effect button)

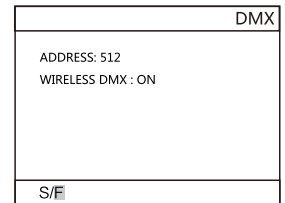
1000D PRO: Press the FX button, then press the multi-function interface dial to control the brightness 0-100%, mode and speed. Turn the multi-functional interface dial to control the brightness 0-100% , special effect and speed. The special effect mode includes lightning, fireworks,flash, breath, cop car, SOS, fault bulb, turn signal, tracing, screen, H&L beam.

2000X PRO: Press the FX button, then press the multi-function interface button to switch between brightness, color temperature, mode and speed 0-100%. Turn the multi-functional interface dial to control the brightness 0-100% , color temperature 2700K-6500K, special effect and speed 0-100%. The special effect mode includes lightning, fireworks,flash, breath, cop car, SOS, fault bulb, turn signal, tracing, screen, H&L beam.



(4) DMX button

Press the DMX button, turn the multi-function interface dial to change the address of the fixture. DMX address range is 1-512. Short press the multi-function interface button to make get access to the wireless DMX model.



Press each time the "wireless DMX button" on the left of the LCD screen, the wireless DMX indicator shows the different colors of red, green, yellow, blue, purple, cyan and white. The different colors means different ID numbers. The working status of the wireless DMX indicator is as below.

Indicator working conditions	Signals receiving condition
Be continuously on	No wireless DMX signal
Green color flashes	Signal is being received

Note: To use the wireless DMX control function, please make sure the signal from the transmitter is the the same as the signal on the control box, means that the wireless DMX indicators on the control box and the transmitter show the same color.

Wireless DMX transmitter operation instructions

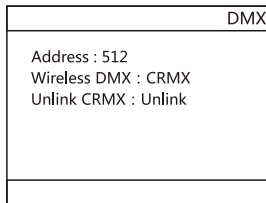
- 1) Connect the wireless transmitter to the DMX console, and power on the wireless transmitter.
- 2) Try to use a small stick to press the button of the wireless DMX transmitter, the indicator on it shows different colors of red, green, yellow, blue, purple, cyan and white. The different colors means different ID numbers. Make sure the color is the same as the indicator color on the control box. The working status of the wireless DMX transmitter is as below,

Indicator working conditions	Signals transmitting condition
Be continuously on	No wireless DMX signal
Red color flashes	Signal is being transmitted

Lumenradio CRMX connection Instructions:

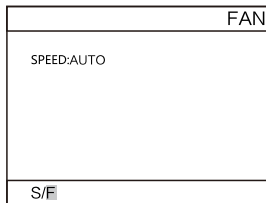
To use CRMX function, you will need to switch the second line of "Wireless DMX" and choose CRMX in the DMX setting interface, and the third line "Unlink CRMX" will appear at this time. Then, connect the Lumenradio transmitter and the DMX console, the "Unlink CRMX" line shows "link", which means that the CRMX is connected, and the lighting fixtures can be controlled through CRMX. When the third line "Unlink CRMX" is selected, adjust the knob left or right, and a 3-second countdown will appear. After the countdown reaches 0 second, CRMX disconnects.

If you need to connect again, you will need to press the CRMX button on the Lumenradio transmitter again. At this time, the LINK indicator on the Lumenradio transmitter flashes, and the light is automatically connected after about 10 seconds, and the "Unlink CRMX" option on the light will displays "link"



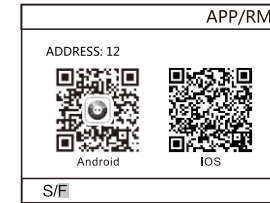
(5) Fan button

Press the fan button, turn the multi-function interface dial to change the speed of the fan between low, medium, high and auto.



(6)Addr.(Address) setting button

Press the addr. setting button, turn the multi-function interface dial to change APP/remote address between 1-12. Noted:RM-OFF means that the remote control function can not be used.



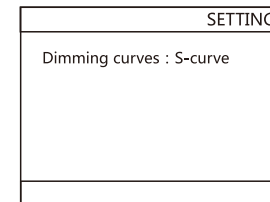
(7)Language button

Press language button, turn the multi-function interface dial to switch system language between English and Chinese.



(8)Dimming curves

Press the multi-function interface button for 5 seconds or longer to enter into the setting interface, to adjust four dimming curves of Exponential, Log, S-curve and Linear, to ensure your brightness accuracy.



(9)Lock/standby button, press the button, the indicator lights up and enters the lock mode.

Press again the button, the indicator flashes and enters the standby state. Press the button for the 3rd time, the indicator goes out and enters the working mode.

3. Use of Lishuai mobile phone APP

Please search "Lishuai" on the App store, or you can scan the below QR codes to download the APP for the Android and IOS mobile phone.

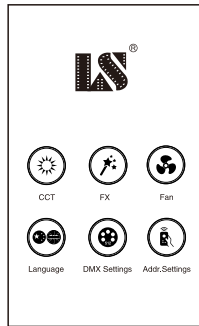


Android

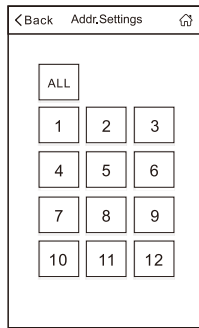


IOS

(1) Get access to the Lishuai APP, choose light "Focus" series of lights to enter the product list interface, and select the appropriate model to the operation interface.



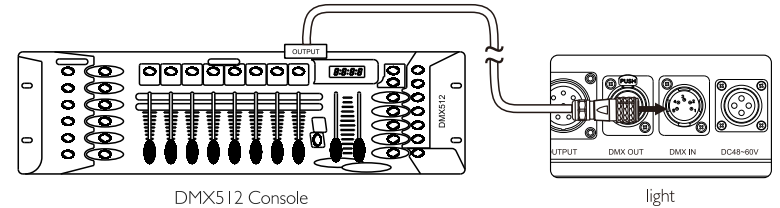
(2) Click the address interface, select the address the same as the light control box. There are 12 addresses currently from address 1 to 12.



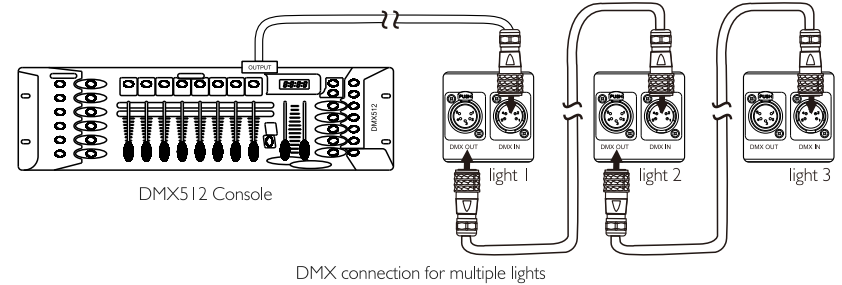
(3) Then the APP can control the light, adjust the color temperature, FX, fan, language, DMX settings and address settings.

4. DMX connection

When using DMX function, connect the DMX cable to the DMX console (see the figure below). Set the DMX address to desired address for control on the DMX console.



DMX connection for single light



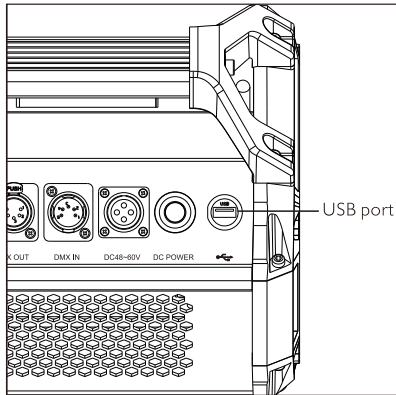
DMX connection for multiple lights

5. DMX control:

Please see below details of DMX address on LCD and corresponding channels on DMX console.

LCD display address	DMX console channels (single color temperature)	DMX console channels (Bi-color temperature)
1	1-1(Brightness)	1-1(brightness),1-2(color temperature)
2	1-2(Brightness)	1-2(brightness),1-3(color temperature)
.....
16	1-16(Brightness)	1-16(brightness),2-1(color temperature)
17	2-1(Brightness)	2-1(brightness),2-2(color temperature)
.....
511	32-15(Brightness)	32-15(brightness),32-16(color temperature)
512	32-16(Brightness)	

6. USB port operation:



When the device requires a software upgrade, the upgrade can be applied by connecting a USB flash drive through the USB port. Software upgrades can be found on www.lishuai-lighting.com

Upgrade Operation:

- (1) Download the updates from www.lishuai-lighting.com and save to USB flash drive.
- (2) Remove the dustproof plug from the USB port and insert the USB flash drive loaded with the upgrade program.
- (3) Press the Power ON/OFF button to turn the power ON. The DATA indication light will flash.
- (4) The upgrade will take approximately 10 seconds. The upgrade is complete when the product information appears on the LCD.
- (5) When the upgrade is complete, remove the USB flash drive and replace the dustproof plug.

Warranty: LED lights are guaranteed for 1 years.