

0086-13951998994



KESIQUI0817@OUTLOOK.COM



NO. 228 TIANYUAN EAST ROAD, JIANGNING DISTRICT, NANJING, JIANGSU PROVINCE, CHINA.



We are looking for cooperative agents in various countries. If you are interested, please feel free to contact me.

TWIN SCREW EXTRUDER COMPOUNDING MODIFICATION PLASTIC RECYCLING

WELCOME TO OUR COMPANY

Nanjing KESIQI Machinery Technology Ltd.—specializing in the design of various plastics(PP PE ABS PC TPE etc.), environmentally friendly materials (biodegradable resins), water-soluble materials, chemical, etc. compounding systems manufacture.

We have a lot of experience and exclusive technology. Cooperating with us, you can obtain the best solution for every compounding requirement, from laboratory-level special applications to industrial production. Our various divisions composed of engineers, chemical researchers, technicians and experts in various fields will provide customers with powerful process solutions.

We adhere to the tenet of paying great attention to the customer's use of the equipment, focusing on the high production and efficiency of the equipment, the orderly design and the purpose of serving customers, to design and deliver the ideal equipment, and continue to create more value for customers.

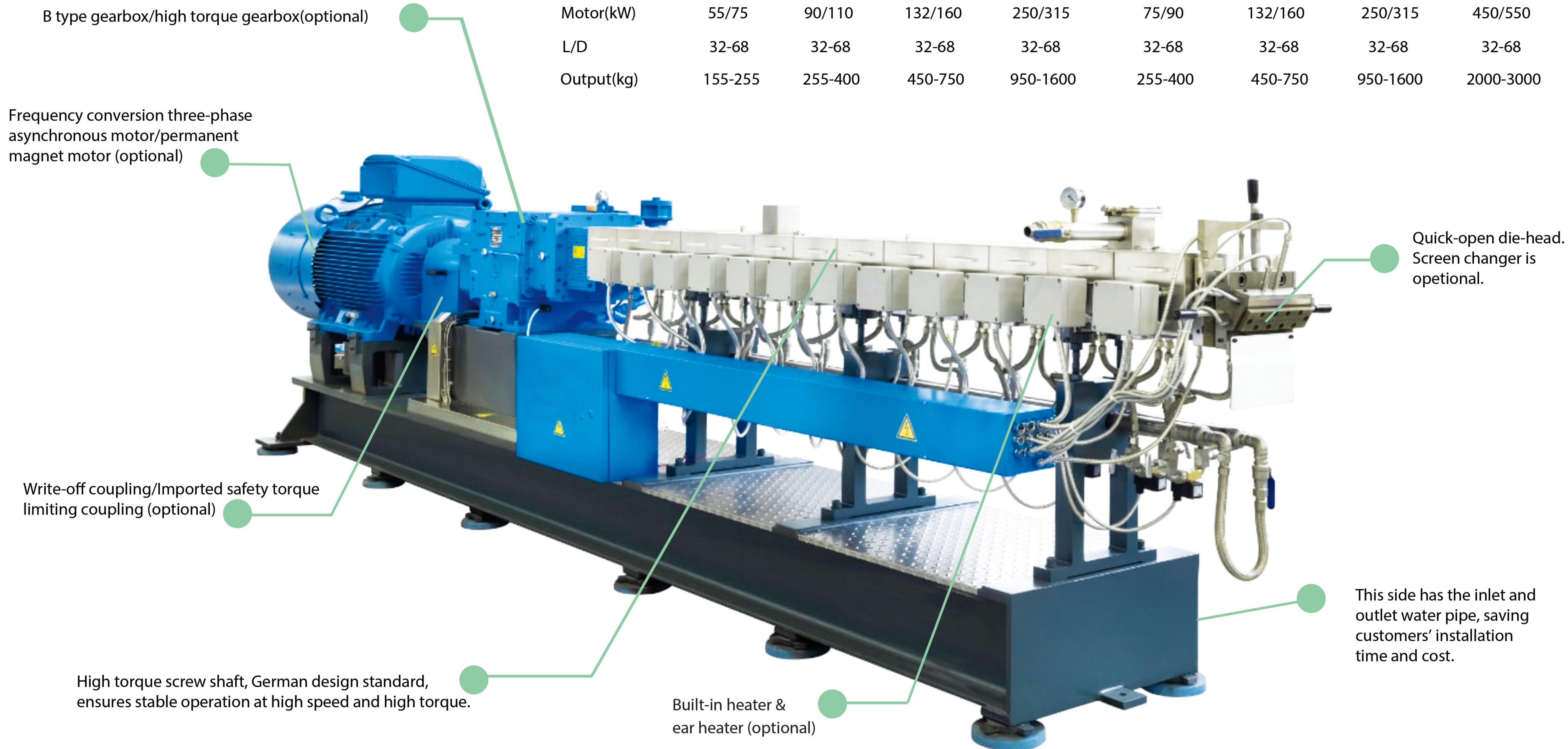


For machines——

we only produce high-quality, never sacrifice quality."



Model	KSQ-52	KSQ-65	KSQ-75	KSQ-95	KSQ-52D	KSQ-65D	KSQ-75D	KSQ-95D
Screw dia.(mm)	51.4	62.4	71	93	51.4	62.4	71	93
Speed(rpm)	400-600	400-600	400-600	400-600	400-800	400-800	400-800	400-800
Motor(kW)	55/75	90/110	132/160	250/315	75/90	132/160	250/315	450/550
L/D	32-68	32-68	32-68	32-68	32-68	32-68	32-68	32-68
Output(kg)	155-255	255-400	450-750	950-1600	255-400	450-750	950-1600	2000-3000



HIGH OUTPUT & HIGH TORQUE

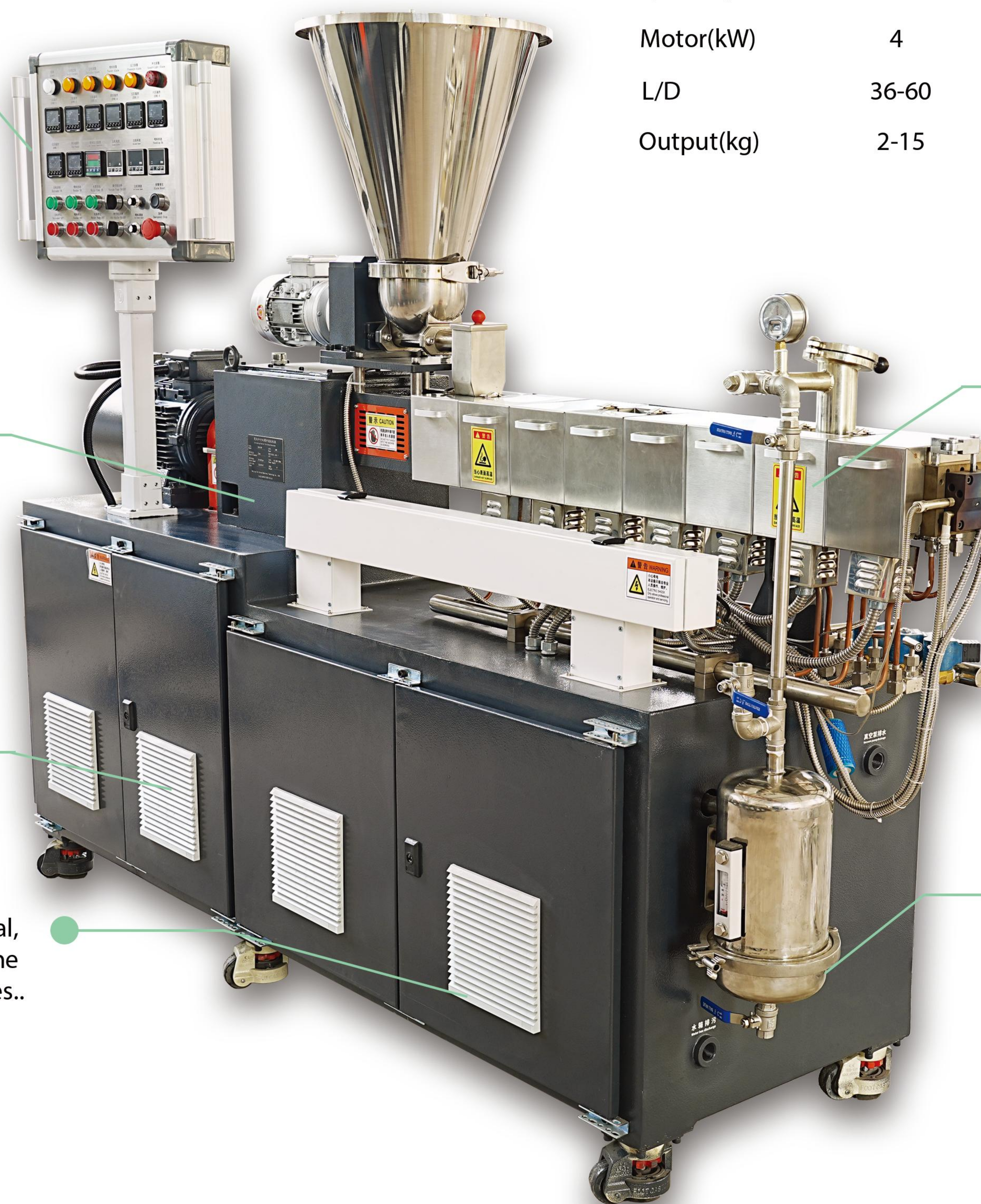
PRODUCTION EXTRUDER SERIES

Omron Precision Temperature Control system, temperature control accuracy $\pm 1^{\circ}\text{C}$.

Exclusive design, stable and reliable output. High torque.

The electric cabinet is built-in, saving laboratory space. The electrical components adopt imported brands: Schneider, Omron.

All the pumps, we adopt 304 stainless steel material, which greatly reduces blockage and extend the operation life to 6 times..



High torque screw shaft, German design standard, ensures stable operation at high speed and high torque.

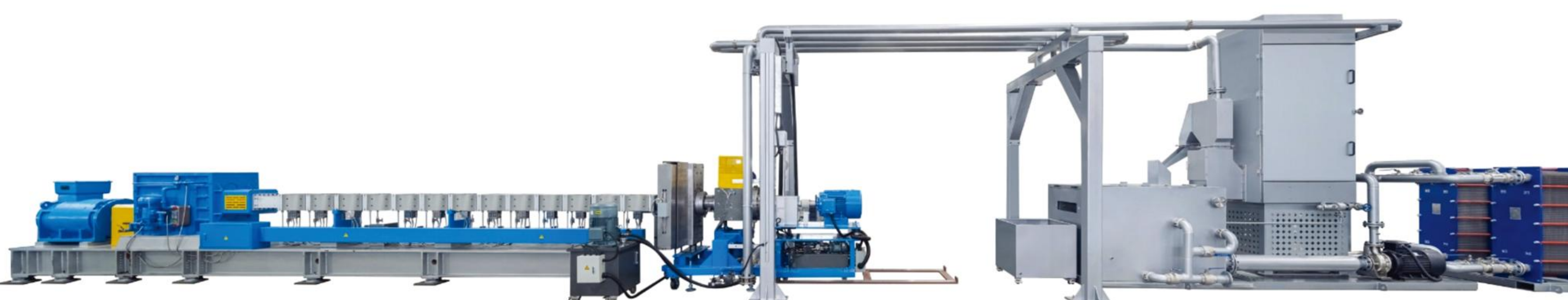
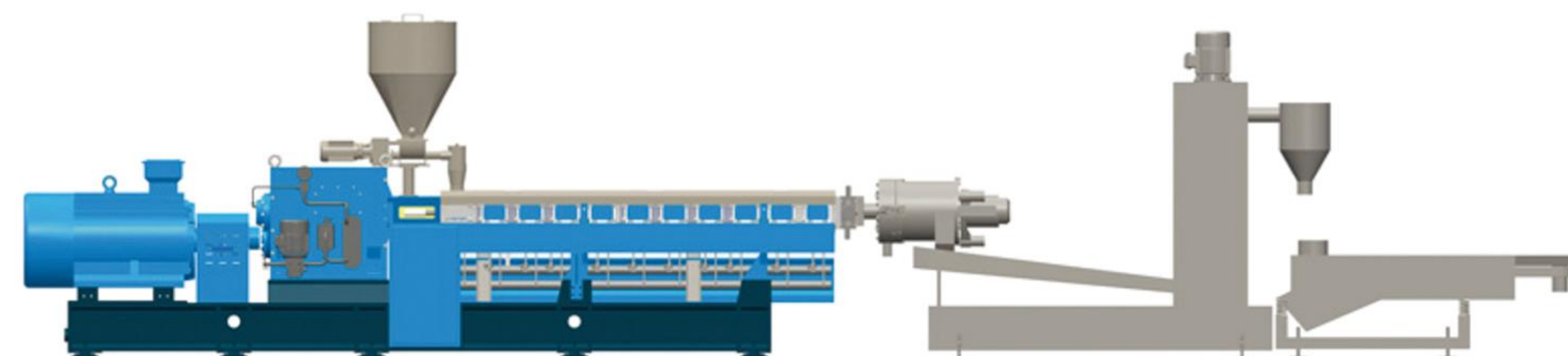
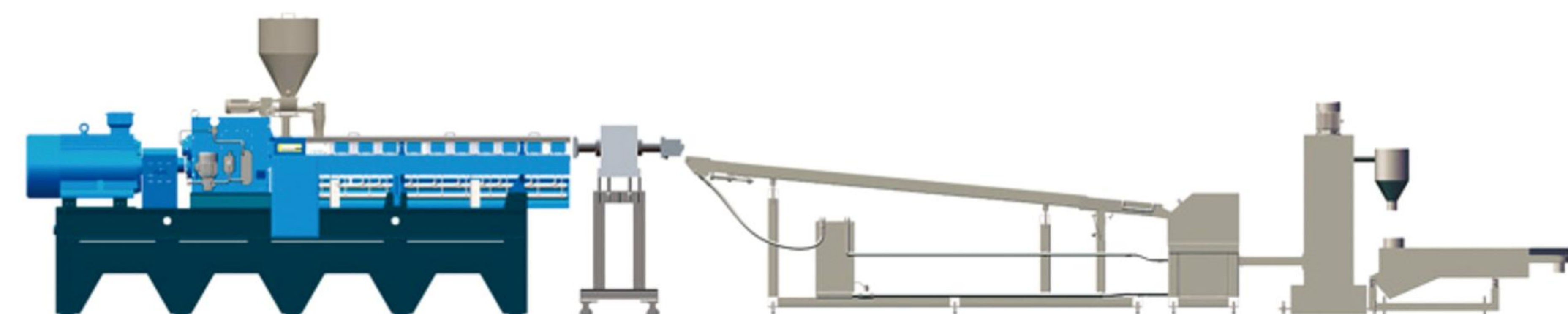
The industry's first original—Quick open vacuum pump, easy to be cleaned.

Model	KSQ-20	KSQ-35	KSQ-40	KSQ-35D	KSQ-40D
Screw dia.(mm)	22	35.6	41	35.6	41
Speed(rpm)	400-600	400-600	400-600	400-600	400-800
Motor(kW)	4	18.5/22	30/37	30/37	45/55
L/D	36-60	32-68	32-68	32-68	32-68
Output(kg)	2-15	15-95	70-120	10-150	100-230

MUTI-FUNCTION EXPERIMENTAL

LAB EXTRUDER SERIES

DIFFERENT PELLETIZING SYSTEM



WATER COOLING STRAND PELLETIZING SYSTEM

It is suitable for most polymer compounding production, which feature is simple structure, easy operation and convenient maintenance. The threshold of operators is also low. This system consists of strand die, water tank air knife, strand pelletizer and vibrating sleeve.

UNDER WATER STRAND PELLETIZING SYSTEM

This system is suitable for plastic recycling which needs to change the filter frequently. The strands go into the pelletizer automatically by the water flow, even the strands break during changing the filter. So there will be almost no waste during the manufacturing process. This system consists of strand die, water bath, strand pelletizer, centrifugal dewaterer and vibrating sleeve, finished product silo is optional.

AIR COOLING DIE FACE PELLETIZING SYSTEM

It is suitable for certain recipes, such as PE/PS/EVA/TPU, filler masterbatch etc. The final pellet looks nicer and has good flowability. The length of production line is shorter than that of strand pelletizing.

This system includes water ring pelletizer, water circulating system, centrifugal dewaterer and vibrating sleeve.

AIR COOLING DIE FACE PELLETIZING SYSTEM

This is suitable for certain recipes, such as PVC, LLDPE, high filling masterbatch, degradable masterbatch, HFFR, WPC etc., which have a ring type and centrifuge type as per the property of the raw materials. The merit of this system is that it prevents materials from encountering water which is critical for certain materials.

This system includes die heads, air cooling pelletizer, air cooling conveyor and vibrating sleeve.

UNDERWATER PELLETIZING SYSTEM

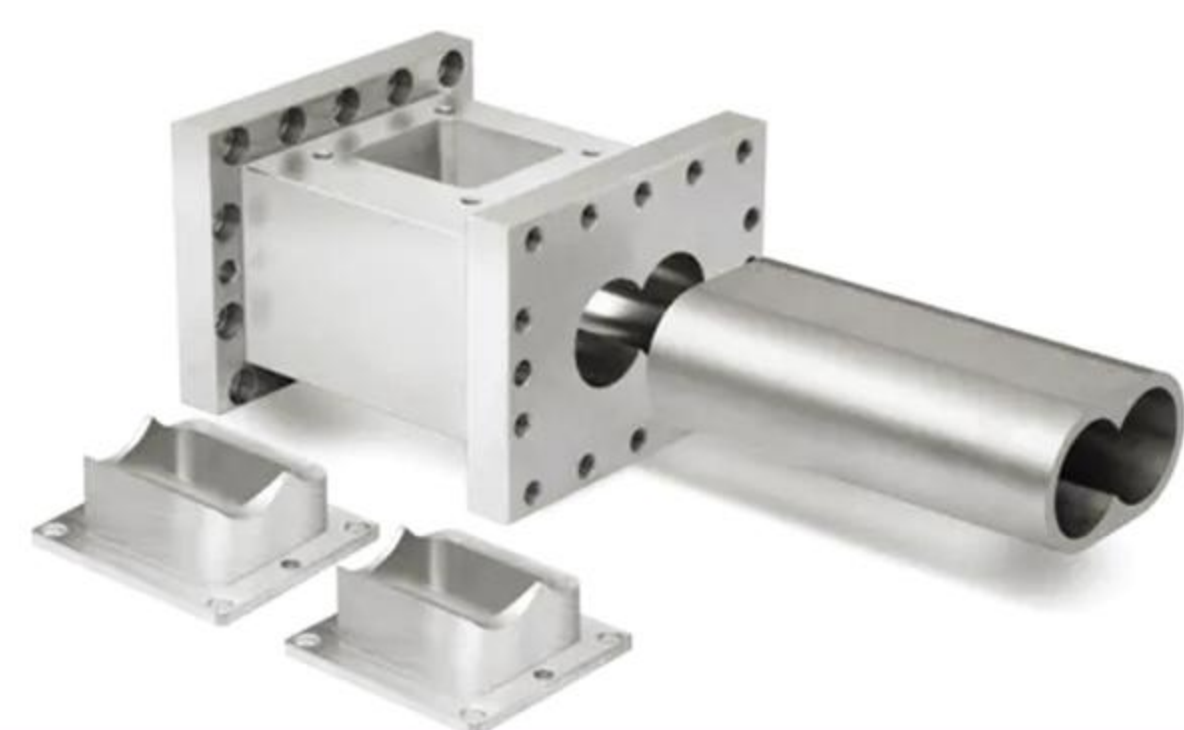
Underwater pelletizing system is good for most of polymers (>80% High filler not included). Especially for TPU and TPV or similar elastomer.

We can provide complete compounds production lines with underwater pelletizing system, such as TPU/TPV production line.

RELATED AUXILIARY MACHINE AND SPARE PARTS



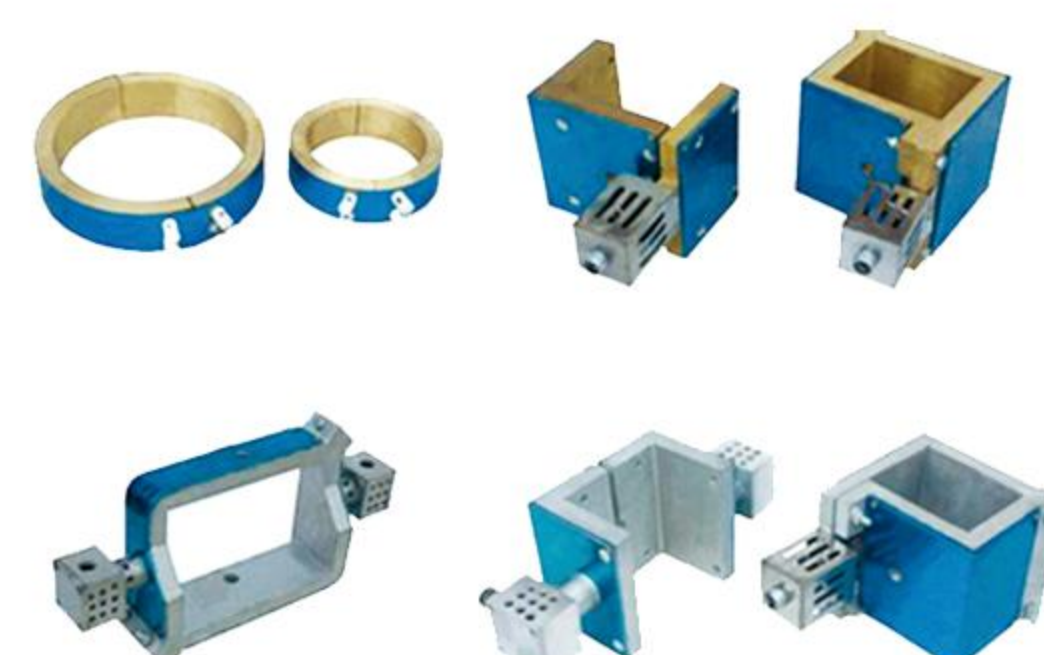
Screw elements



Barrel & Liner & Block



Screw shaft



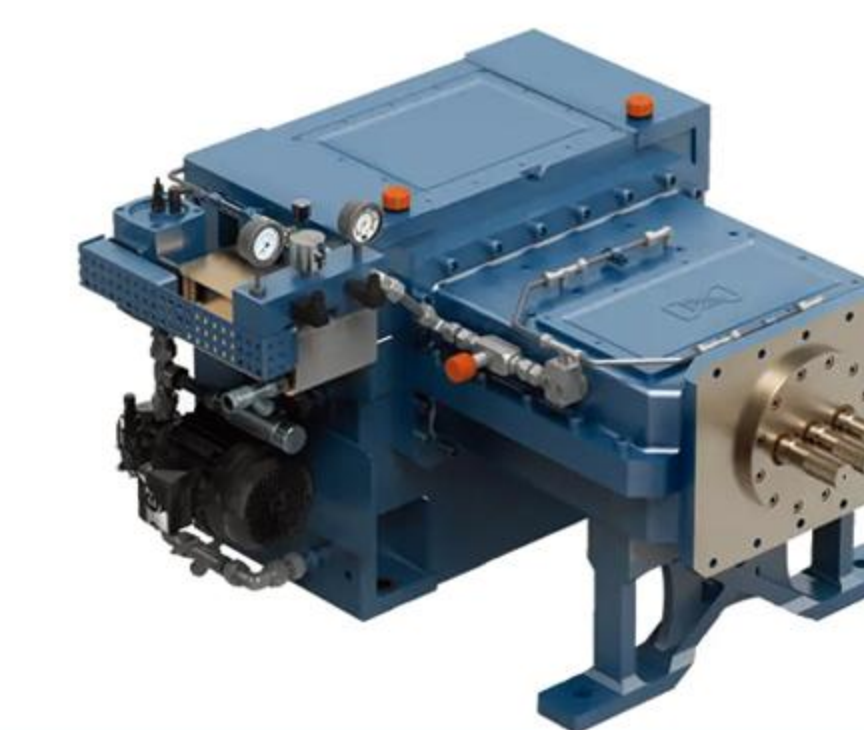
Cast AL & CU heater



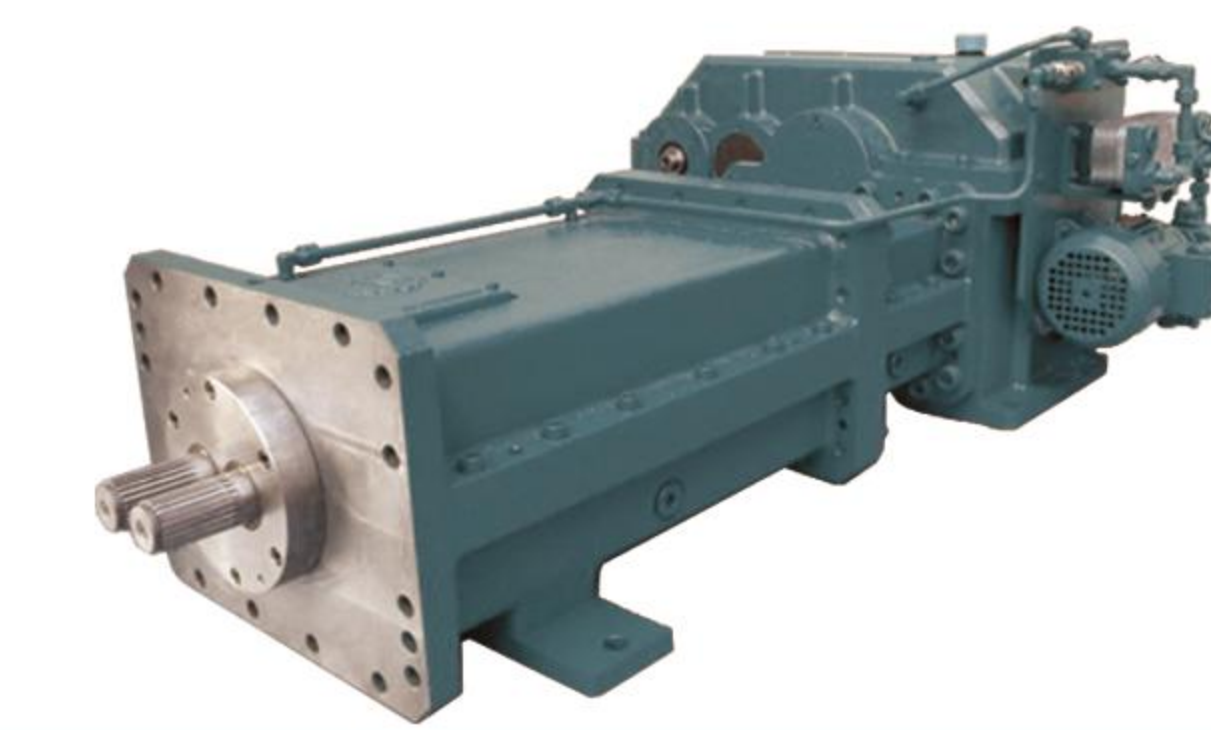
B-type gearbox



D type gearbox



Tribble screw gearbox



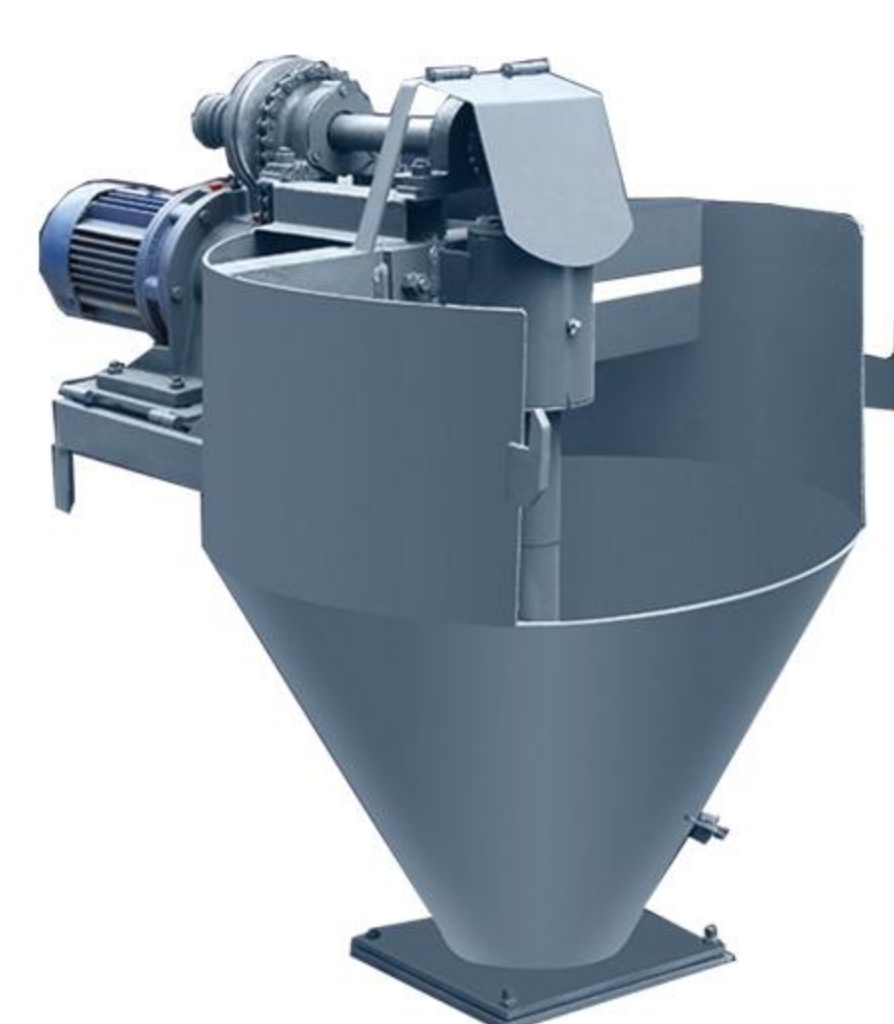
Imported gearbox



Single screw feeder



Twin screw feeder



Forced feeder



Loess-in-weight feeder



Single-board double-station screen changer



Double-column non-stop screen changer



Automatic slag discharge screen changer



Vertical mixer&Forced feeder



Two-stage side forced feeder



Strand shaking machine



Air knife



Vertical mixer



High & Low speed mixer



Mixing and compounding system



Turbo mixer



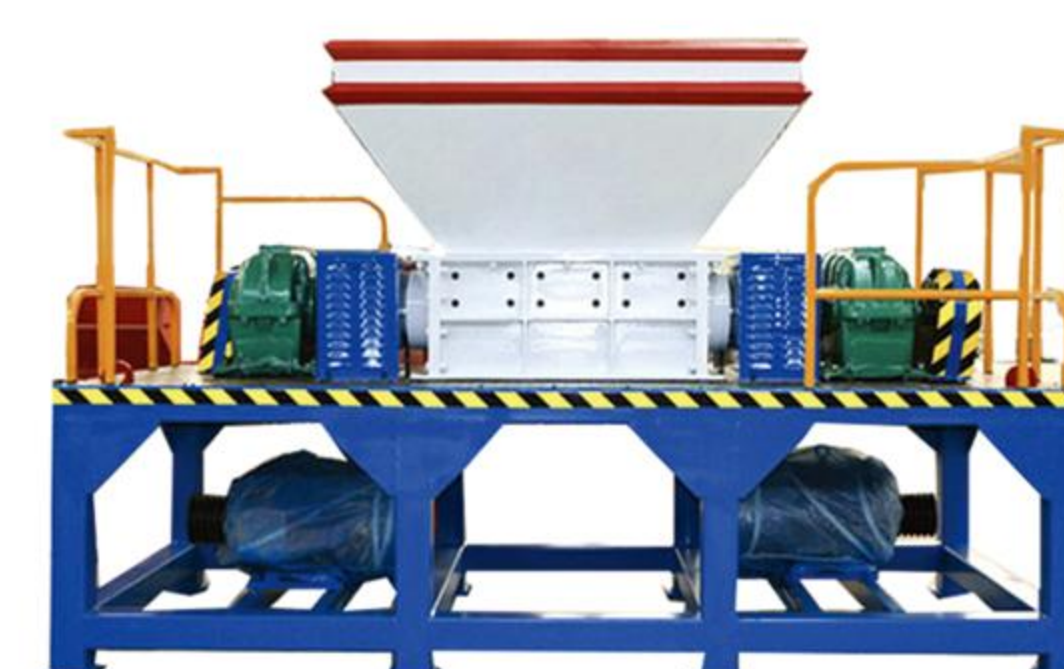
Gantry pelletizer



High torque pelletizer



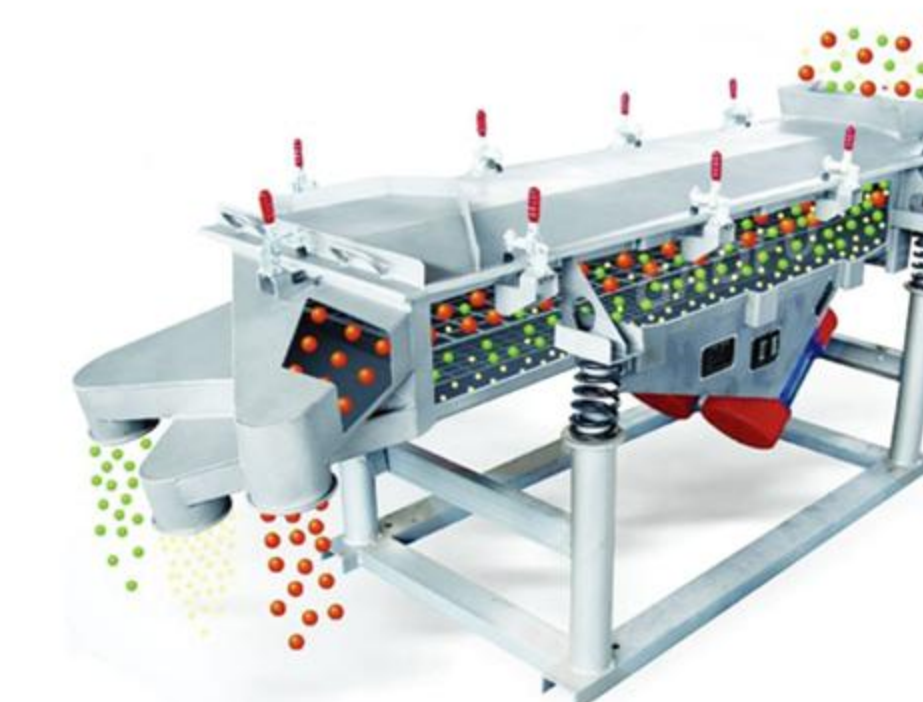
Crusher



Shredder



Agglomerator



Vibrating sleeve



Finished product silo



Drying Homogenization Silo