



Installation Guide

WWW.MECOFENCE.COM

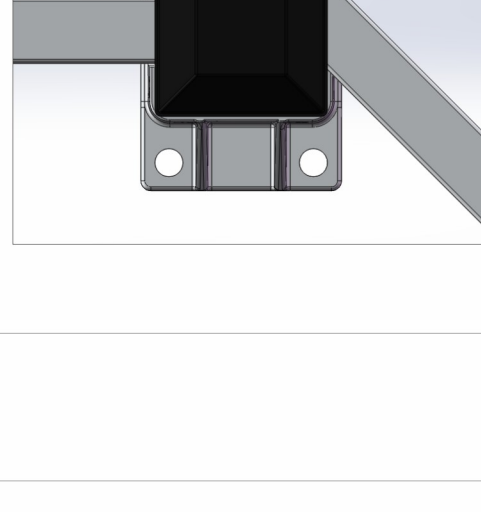
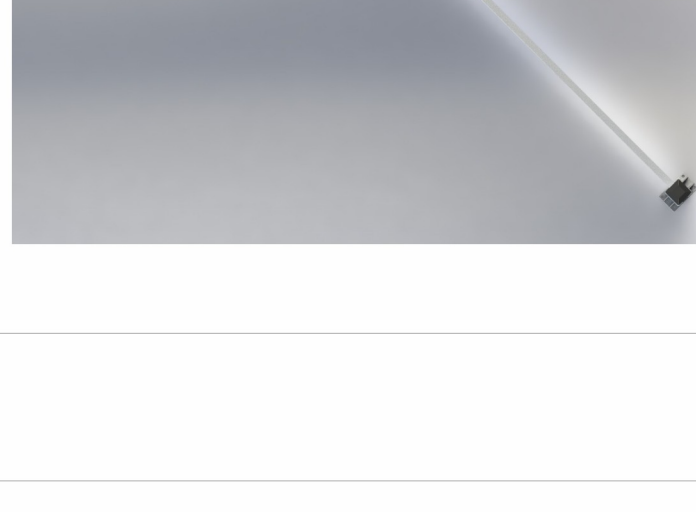
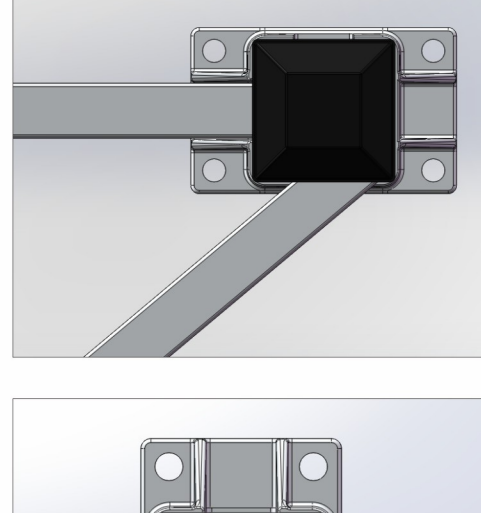
Example: 40° /135°



Fences with 40° intersection angle

Fences with 135° intersection angle

When the intersection angle less than 90°, install at the adjacent side.
When the intersection angle greater than 90°, install at the adjacent side or the opposite side.

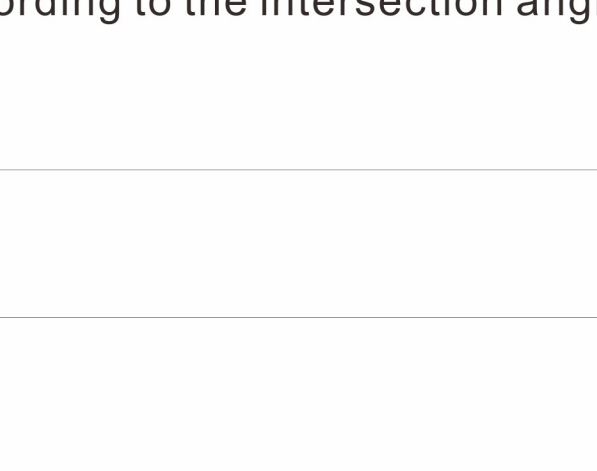
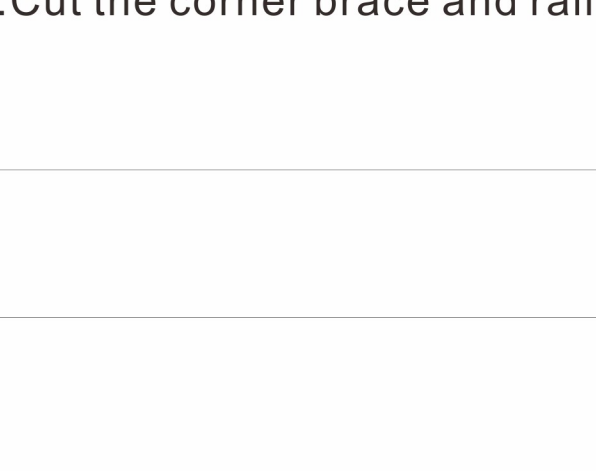
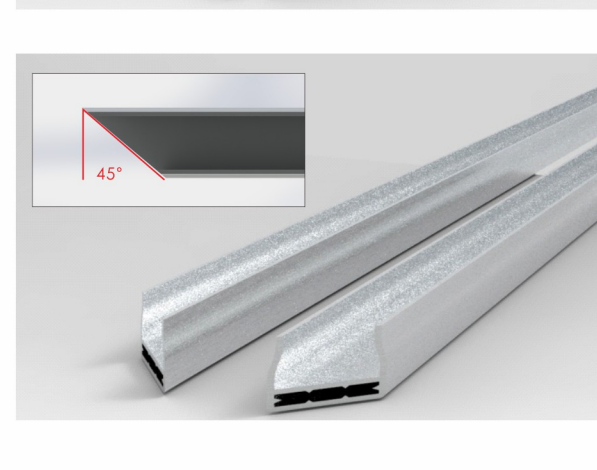
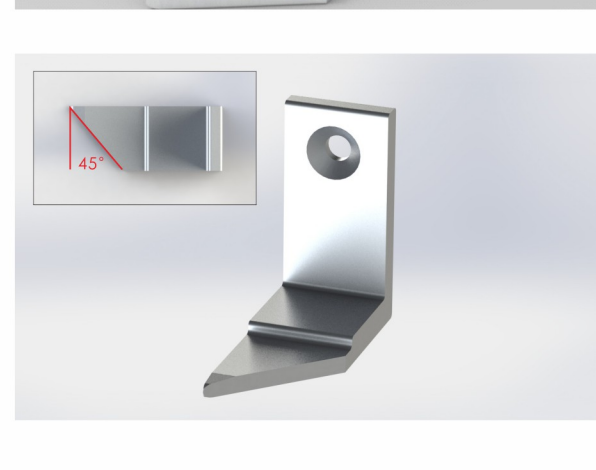


Corner Accessory

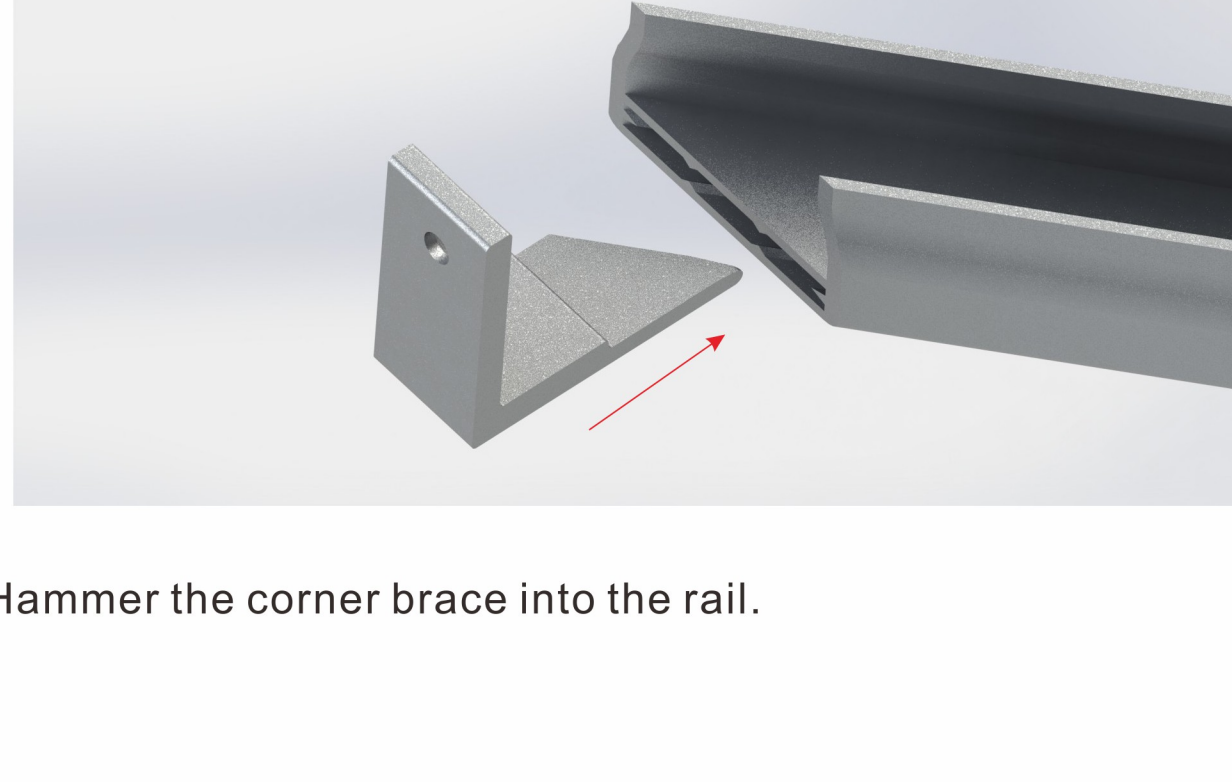


U-Rail

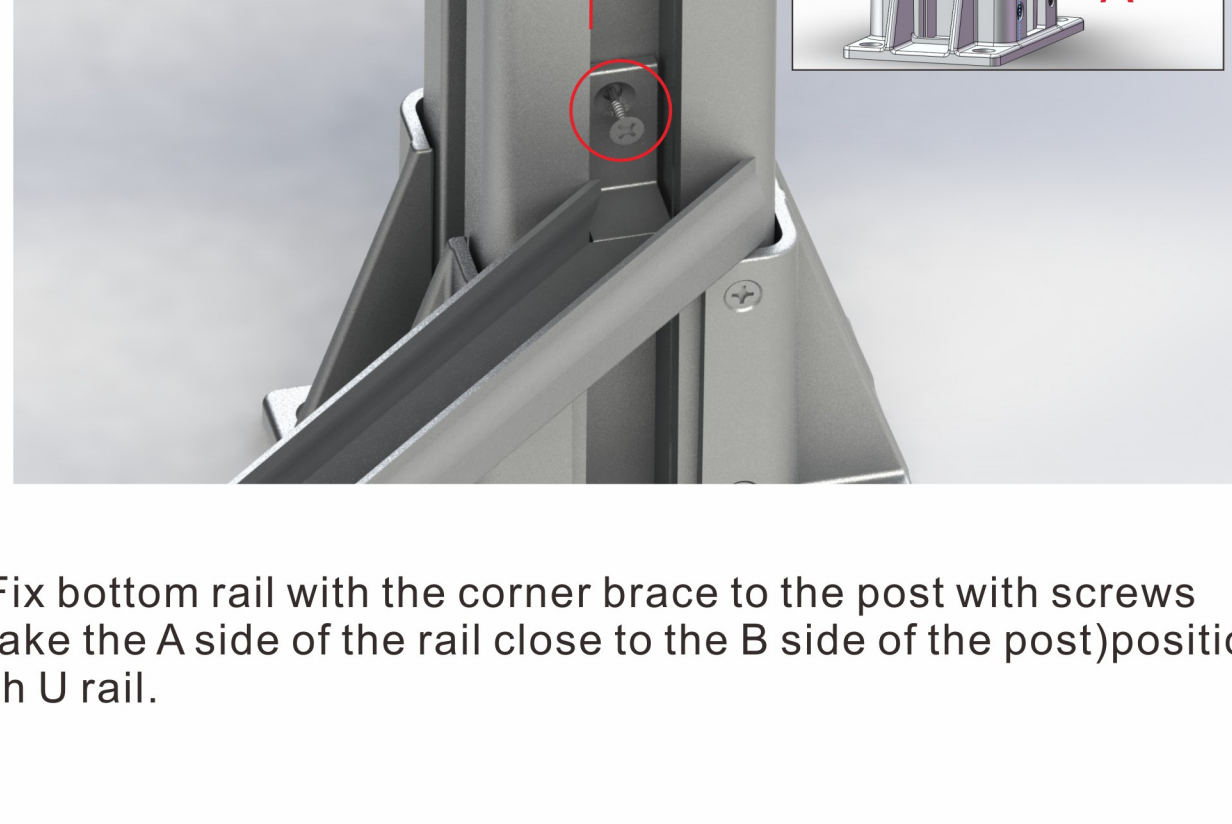
Installation



1. Cut the corner brace and rail according to the intersection angle.



2. Hammer the corner brace into the rail.

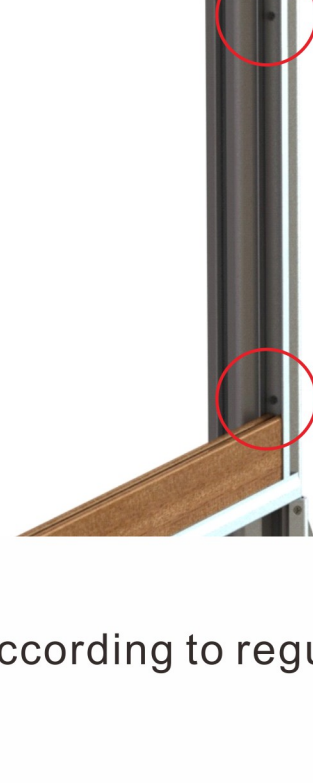


3. Fix bottom rail with the corner brace to the post with screws (make the A side of the rail close to the B side of the post) position with U rail.



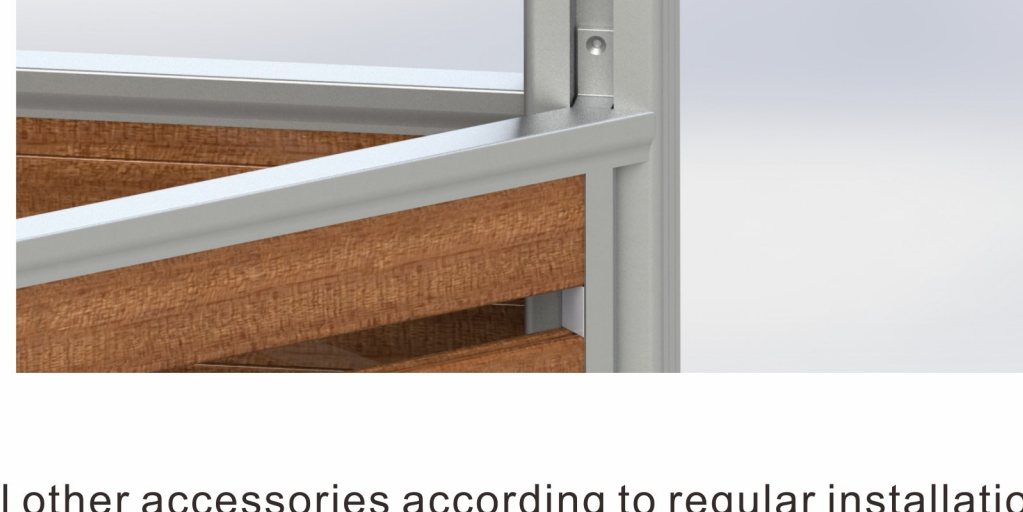
4. Stick the fence board in the groove of the U rail and side the both part through the groove of the post to the bottom rail. Fix the position with U rail.

5. Fix the U rail onto the post with 2 or 3 screws.



6. Install fence boards according to regular installation guide.

7. Refer to step 1, 2 and finish the installation of top rail. Please notice the corner brace is upwards.



8. Install other accessories according to regular installation guide