



Mecofence

Model: Mid-Trellis Fence

Installation Guide

Web: mecofence.com

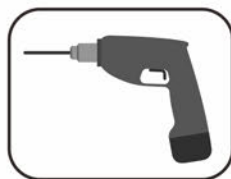
Mid-Trellis Fence



Tools



Pencil



Electric Drill



Impact Drill



Hammer



Level Ruler



Electric Saw

Hardware

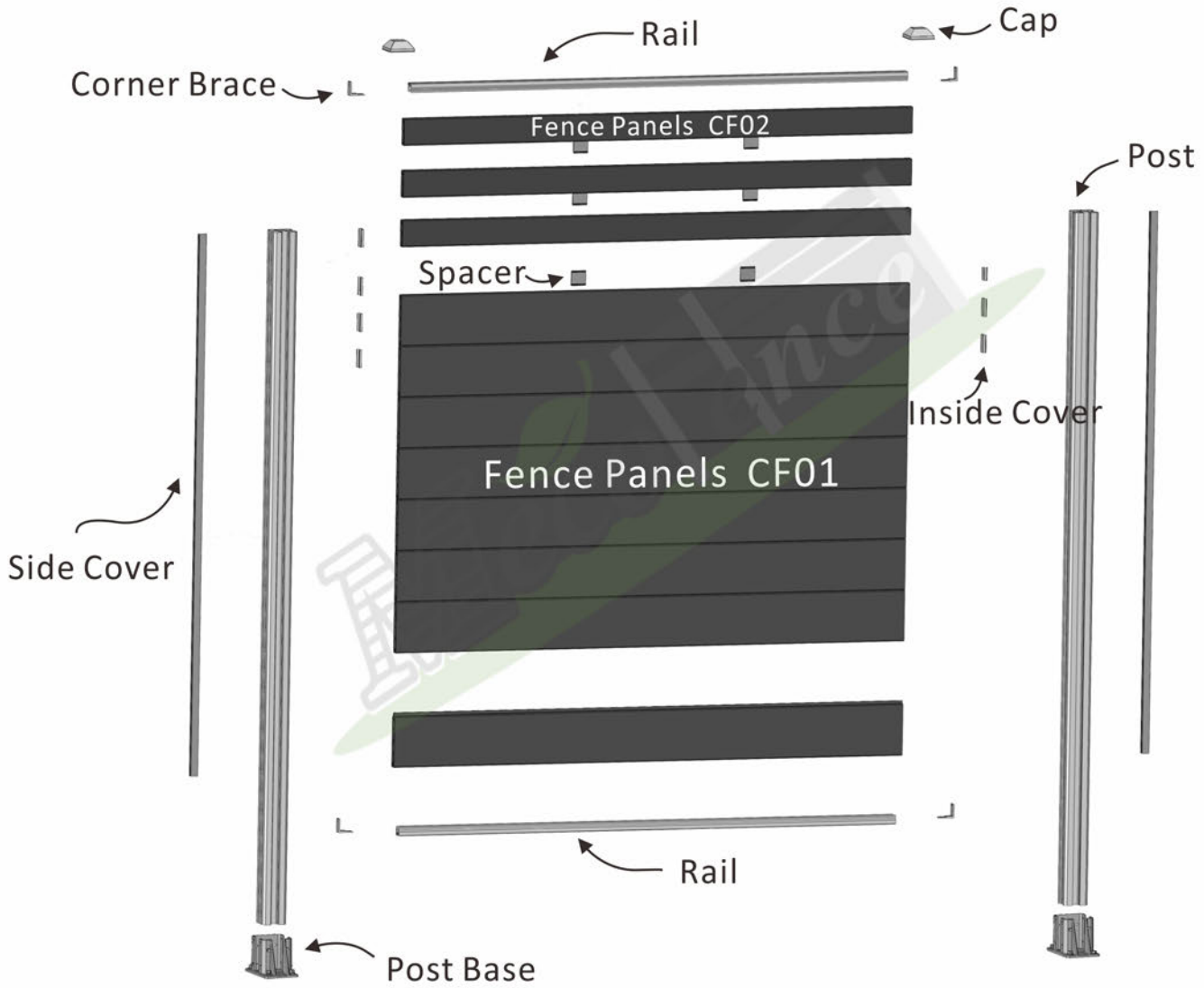


Expansion Screws



Round Head Drilling Screws

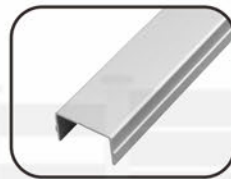
Fence Accessories



Fence Panels



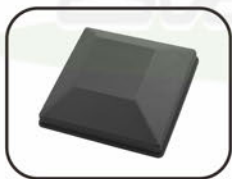
Post



Side Cover



Rail



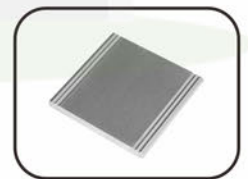
Cap



Corner Brace



Post Base

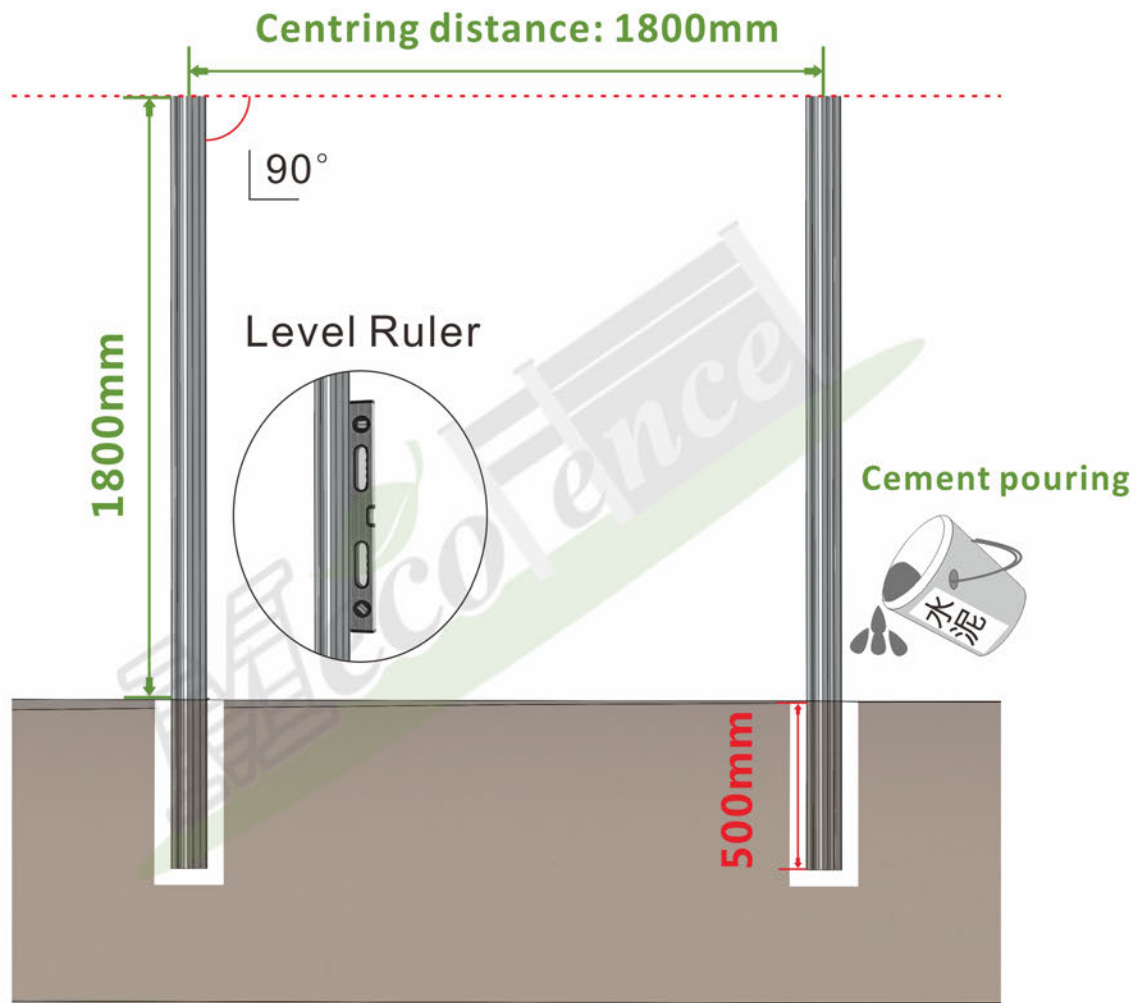


Spacer

Installation

Step 1 Installation of Post

A. Fixing Post by burying it



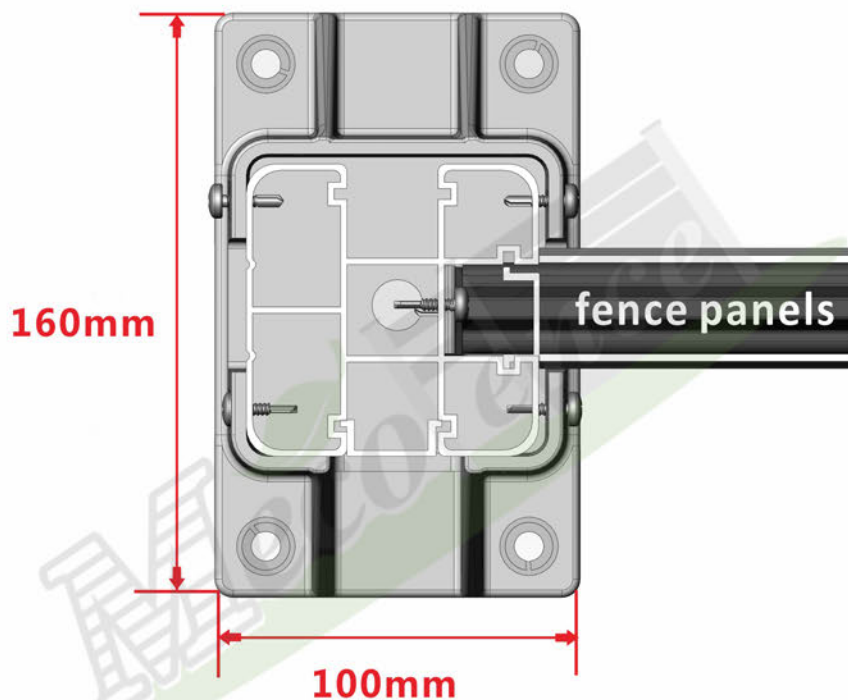
1. Determine the position of two posts(centring distance 1800mm), drill a hole of 500mm depth, then put post into it and keep it vertical.

Measure Posts' verticality by Lever Ruler

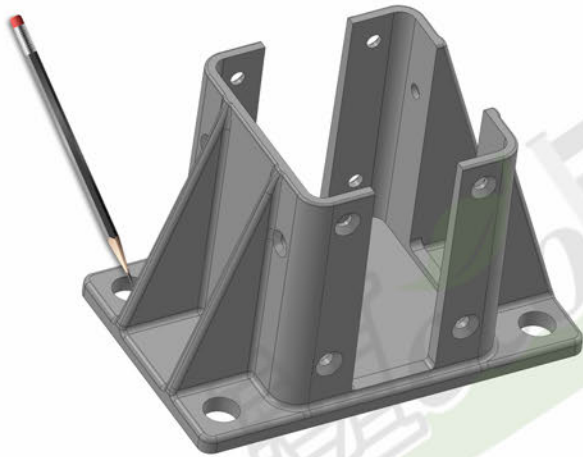
B. Fixing Post by using Post Base.



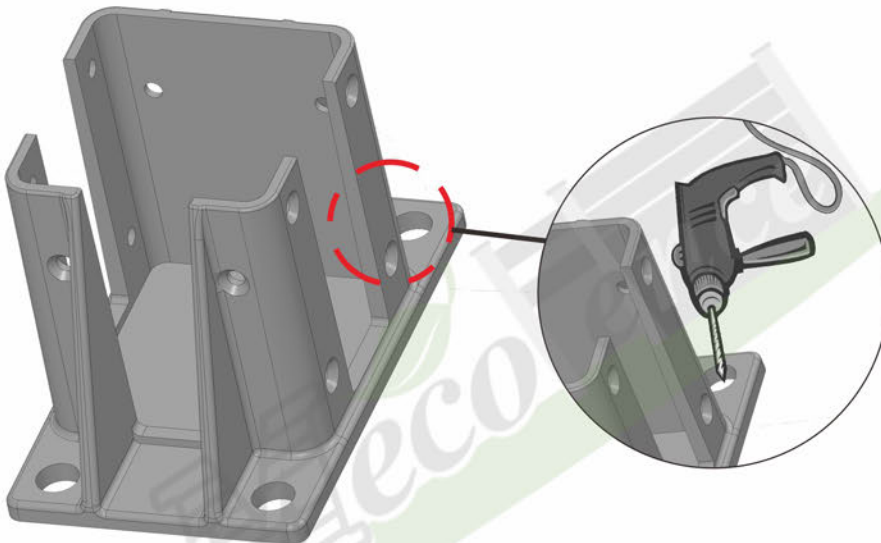
1. Determine the position of bases, centring distance should be 1800mm.



2. Suggested Base direction: The 100mm side be parallel to fence panels. The 160mm side be perpendicular to fence panels.

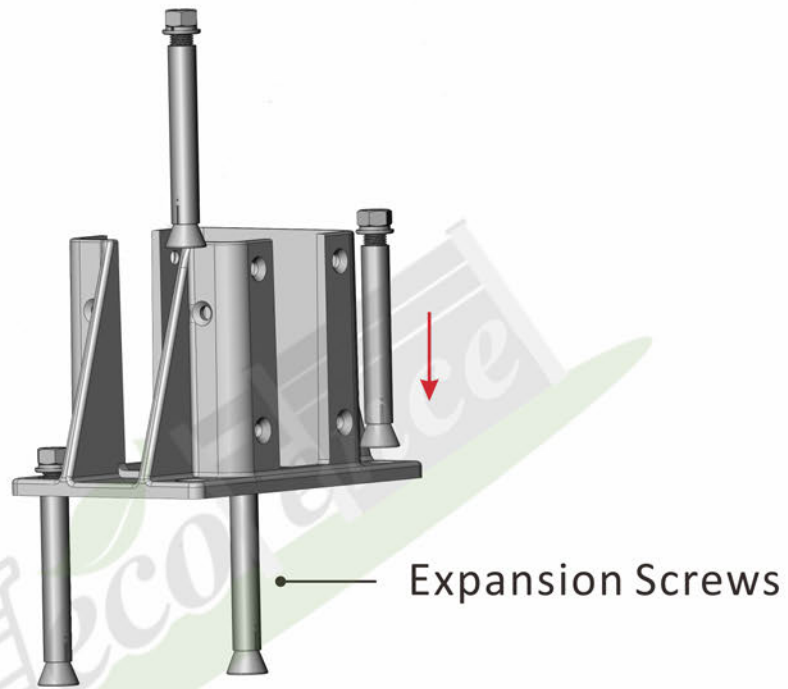


3. Mark corresponding place of holes in the ground by pencil.



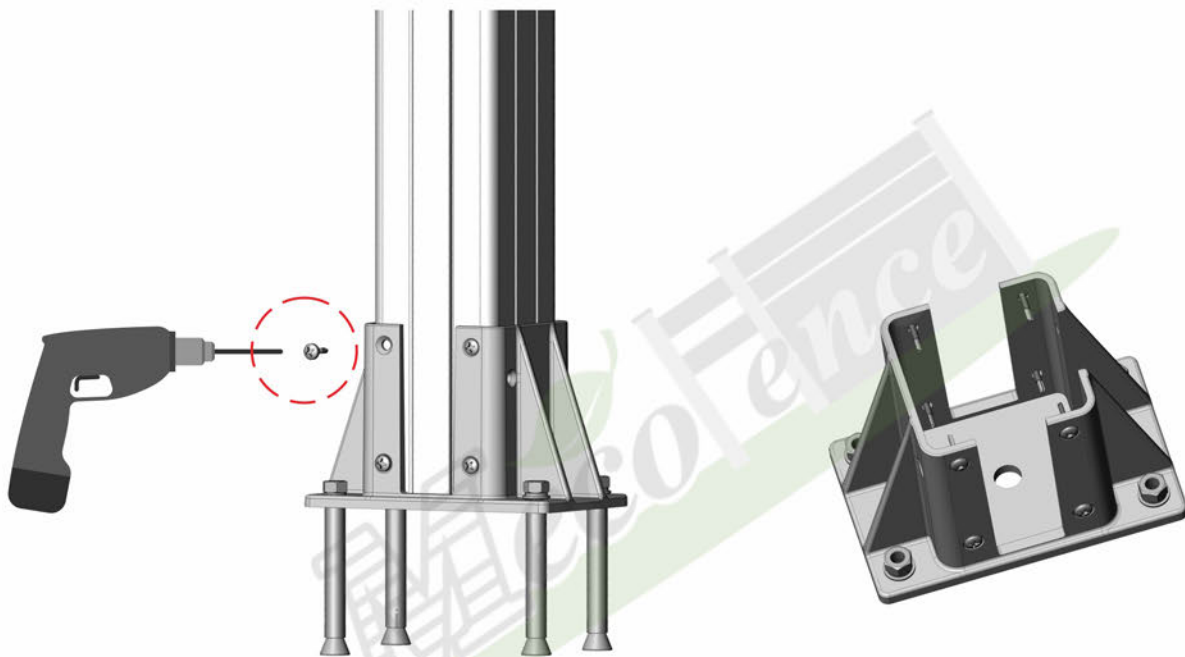
drill 4 holes
Diameter: 12mm
Depth: 60mm

4. Put aside the Base, then drill 4 holes by Impact Drill.
Diameter: 12mm; Depth: 60mm



5. Fix the Base by Expansion Screws.

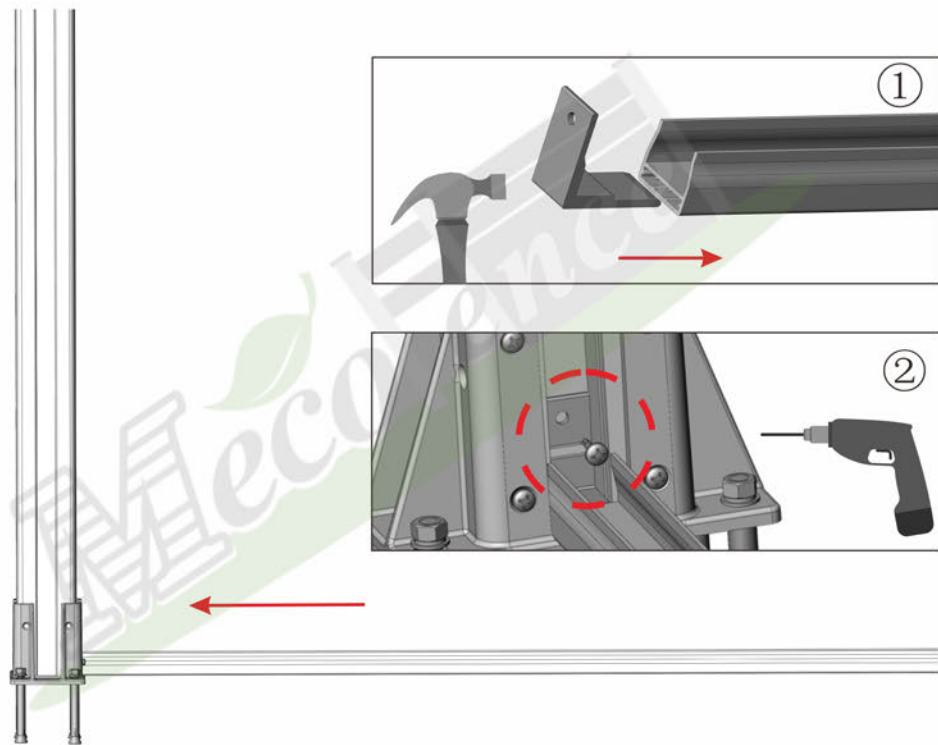
6. Put Post into the Base and keep it vertical.



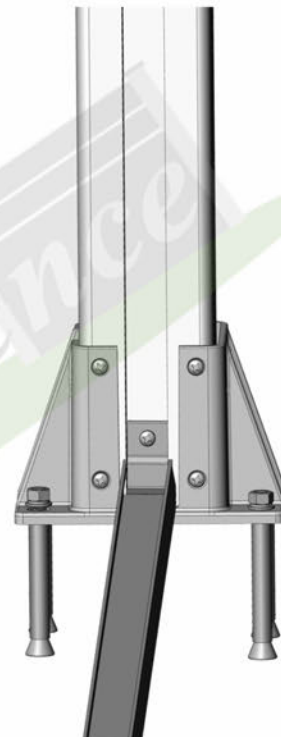
7. Use Electric Drill to fix Drilling Screws. Note: 8 Drilling Screws in total.

Step 2

Installation of Bottom Rail



1. Knock Corner Brace into Rail according to ①.
2. Put Rail into Post groove and fix it by Electric Drill and Drilling Screws.



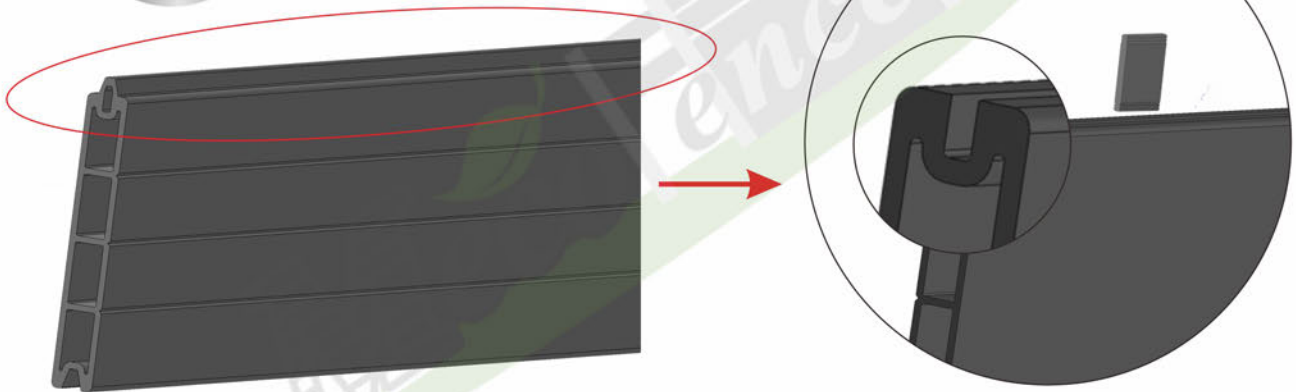
3. Fix the other side as the above.

Step 3

Installation of Fence Panels



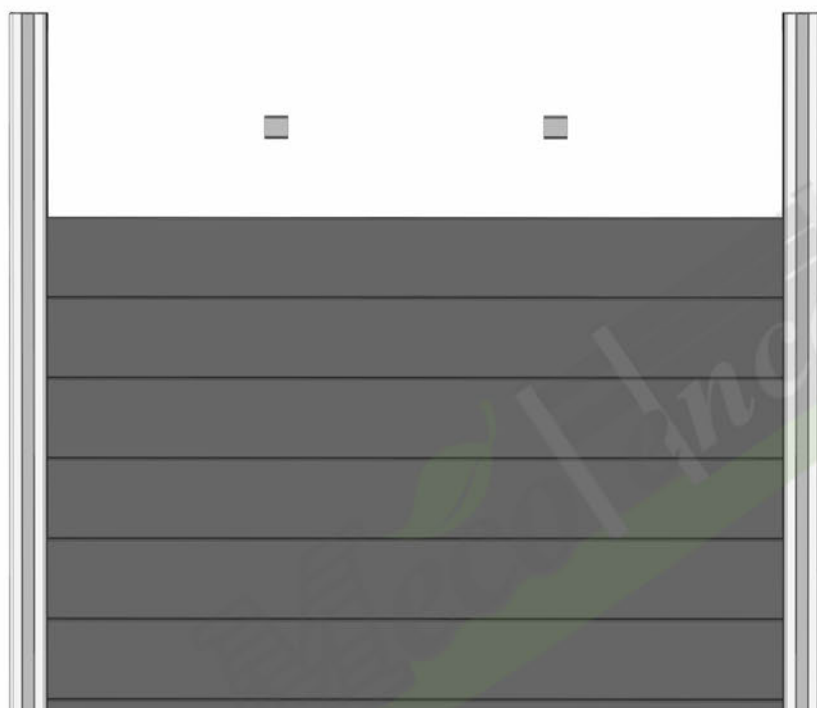
1. Slide the panel from top to bottom one by one.



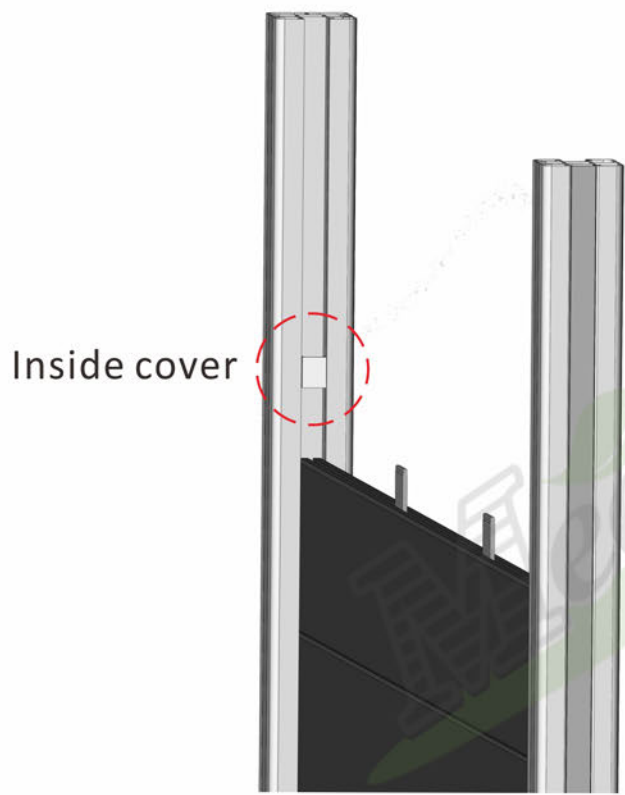
2. Cut the edge of the 8th CF01 panel as illustrated.



3. Install the 8th CF01 panel.

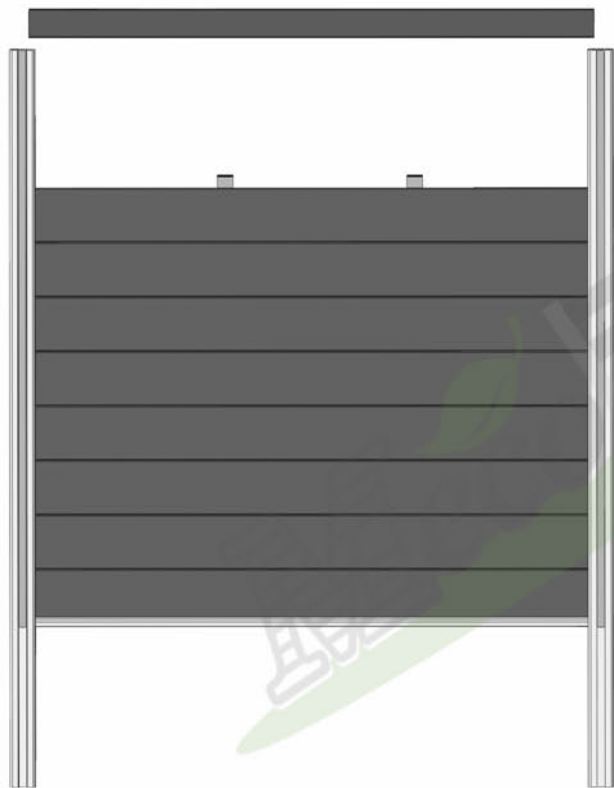


4. Put 2 spacers in the average position on the panel.



Inside cover

5. Put inside cover into the post.



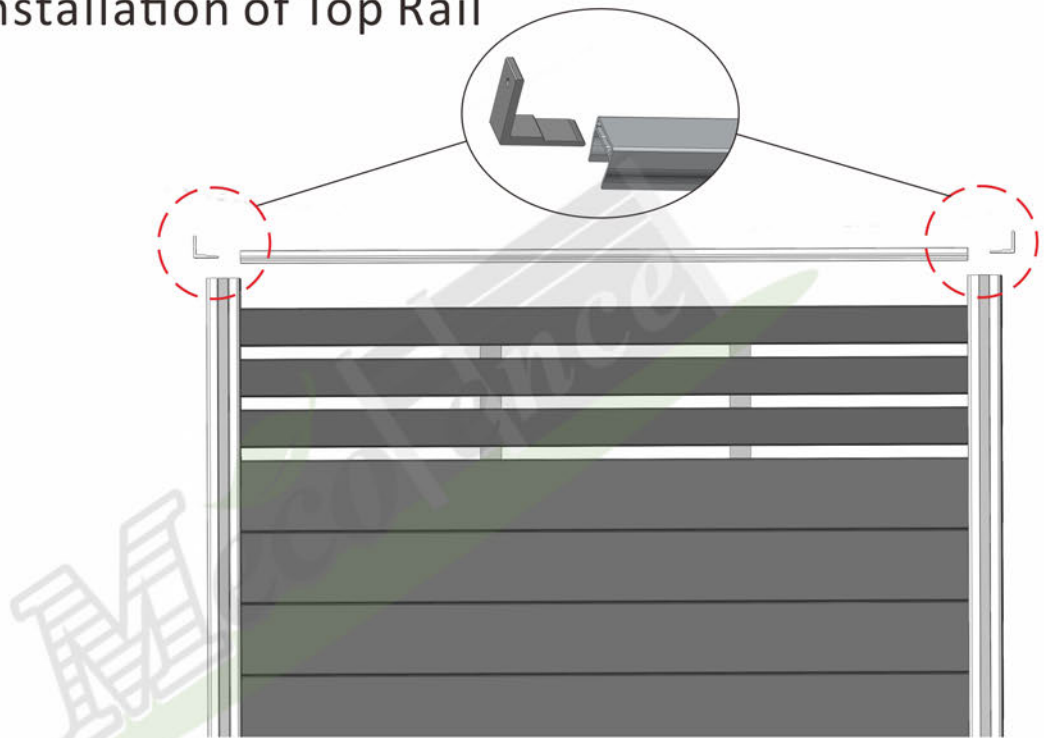
6. Put CF02 panel into the post.



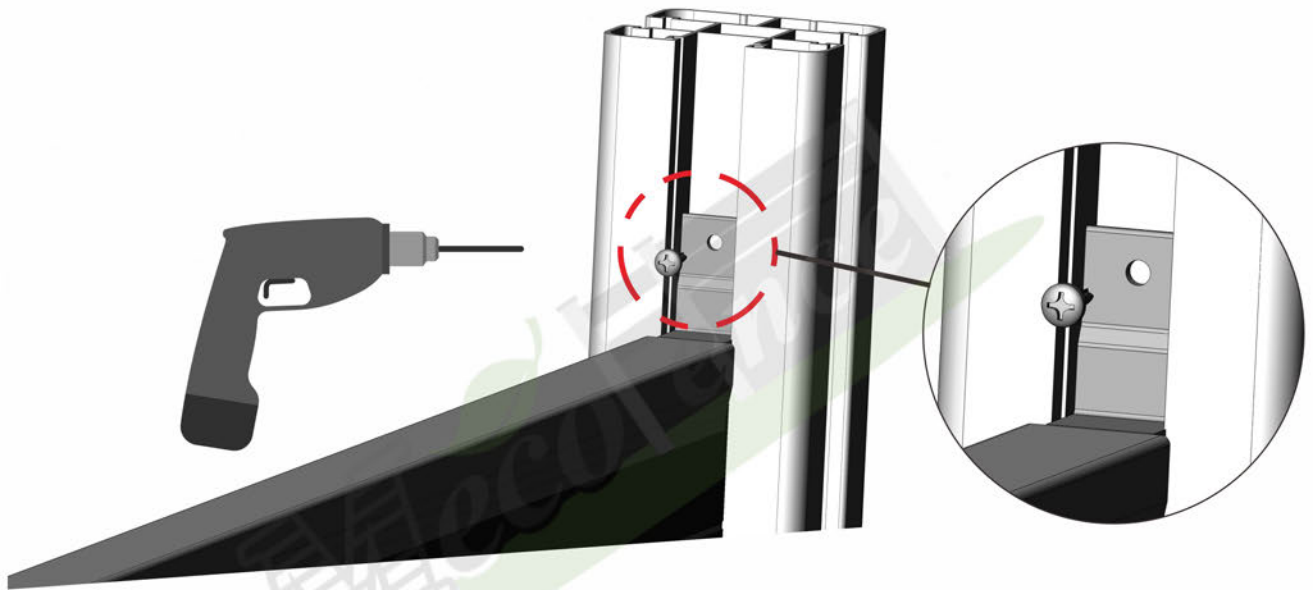
7. Follow the above step, continue putting spacers and inside covers, then CF02 panel.

Step 4

Installation of Top Rail



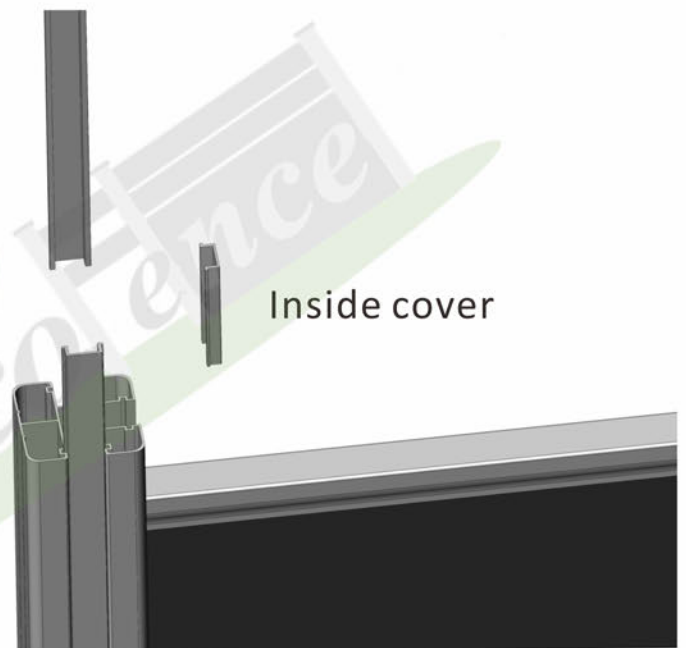
1. Notice the direction of Corner Brace, knock them in to the Rail.
2. Slide and embed them in the Panel after combining them together.



3. Drill the Drilling Screws into the Post.

4. Fix the other side in the same way.

Step 5 Installation of Side Cover



Slide Side Covers into Post groove.

Note: Put Inside Cover as well!

Step 6

Installation of Cap

