

Guangdong Meite Mechanical Co., Ltd

About US

- Nearly 20 years of production experience
- Over cover area of 70,000 square meter in workshop
- Professional manufacturer of pneumatic tools, fasteners and accessories
- Equipment with world class advanced processing machine of core accessories



Quality Products Meite Made

Guangdong Meite Mechanical Co., Ltd

Production Plant



Quality Products Meite Made

Guangdong Meite Mechanical Co., Ltd

Spare Parts :

- More than 80% spare parts are produced by ourself to control the quality stability
- Key spare parts material source from Japan and Taiwan such as driver set,o-ring, bumpers.
- Reasonable spare parts price for maintenance
- Most of steel parts are under heat treatment

Cylinder set



Bumper



Driver set



Guangdong Meite Mechanical Co., Ltd

Coil Nailer Series



- Easy operation with rubber molded grip
- Simple Internal structure and easy maintenance
- Large capacity magazine with adjustable Nail depth
- Used for pallets, crate wood case, packing, decking, fencing etc

Guangdong Meite Mechanical Co., Ltd

Stapling Series:



- Soft rubber grip to reduce operator fatigue
- Rear exhaust cover away from users and easy twist exhaust deflector
- Rapid firing for increasing efficiency
- Built in silencer for reducing the noise
- Widely used for furniture, cabinet, car seat, picture frame, bedding etc

Guangdong Meite Mechanical Co., Ltd

Brad Nailing Series:



- Soft rubber grip to reduce operator fatigue
- Rapid firing for increasing efficiency
- Widely used for indoor decoration , windows door, cabinets etc

Guangdong Meite Mechanical Co., Ltd

Headless Pinner Series:



- Second trigger for safe operation
- No-mar tip available
- Adjustable depth control in the magazine for accurate nails depth setting
- Widely used for interior decoration, window door, cabinets etc

Guangdong Meite Mechanical Co., Ltd

Mattress Tool Series:



- Long Fiber compounds make it light and fast to reduce operator fatigue
- Muffler inside provides silent operation
- Extended nose for coiling deeper corner
- Extended magazine for loading 100 pcs of hog ring
- Widely used for wire cage, car seat, spring mattress etc

Guangdong Meite Mechanical Co., Ltd

Special Tool Series:

- Special tool include the Flooring Stapler, Strip Nailer, Corrugated Nailer, Deco nailer, Picture frame tacker, Insulating Nailer, etc
- These special tool are widely used in construction , picture frame, decoration, flooring, etc



Quality Products Meite Made

Guangdong Meite Mechanical Co., Ltd

Spray Guns Series:



- All wetted parts in heat-treated Stainless steel
- Low atomizing pressure, very fine atomization
- High transfer efficiency (up to 90%)
- Up to 30% material savings

Guangdong Meite Mechanical Co., Ltd

Painting tool set series:



- For mass production and large area painting
- High performance, low maintenance
- Various models for affluent requirement
- Pressure gauge available

Guangdong Meite Mechanical Co., Ltd

Accessories Series:



- One-stop solution for paint sprayer maintenance
- Suitable for dusting in different lines
- Adjustable knob for air output or fluid output
- Ergonomically design to prevent fatigue

Guangdong Meite Mechanical Co., Ltd

Pneumatic Tool Series:



- Widely used for interior decoration, wood furniture, machinery ect.
- One-stop solution for production line
- Light weight and ergonomic design
- High durability spare parts for long life

Guangdong Meite Mechanical Co., Ltd

PU tubes and couplers:



Quality Products Meite Made

Guangdong Meite Mechanical Co., Ltd

Air Compressor Series:

- MEITE&FIAC join Brand
- With Italy Technology and quality system certified according to UNI EN ISO 9001:2008

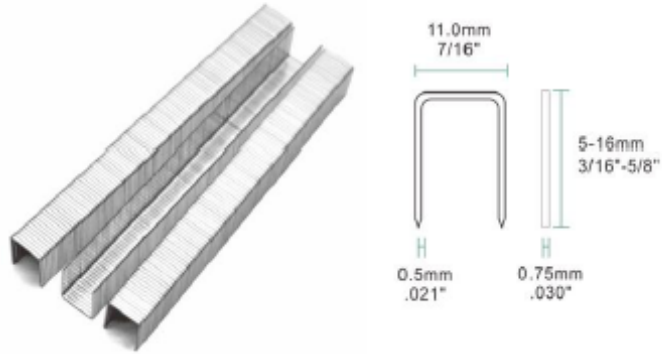


Quality Products Meite Made

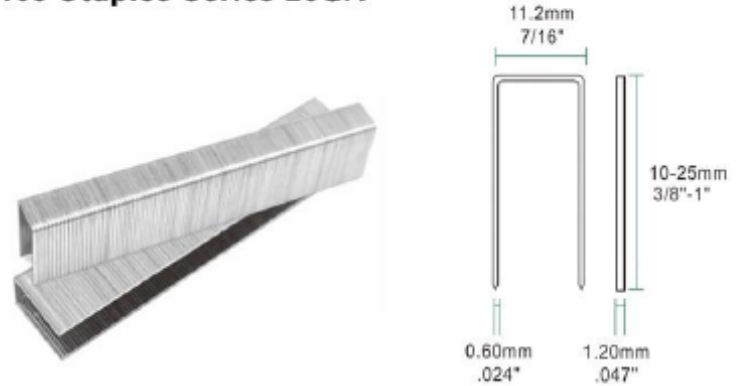
Guangdong Meite Mechanical Co., Ltd

Fasteners

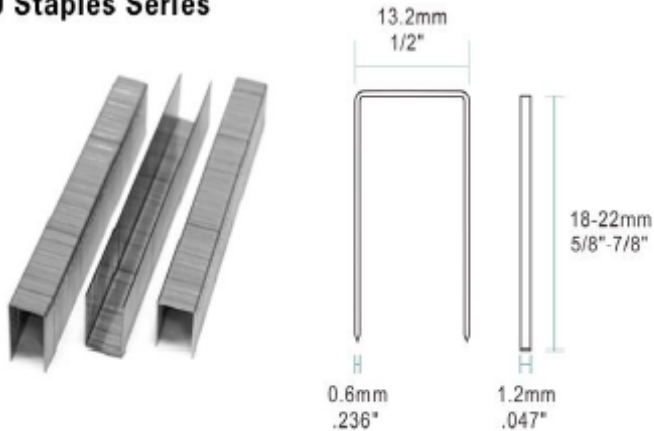
10F Series Staples 23GA



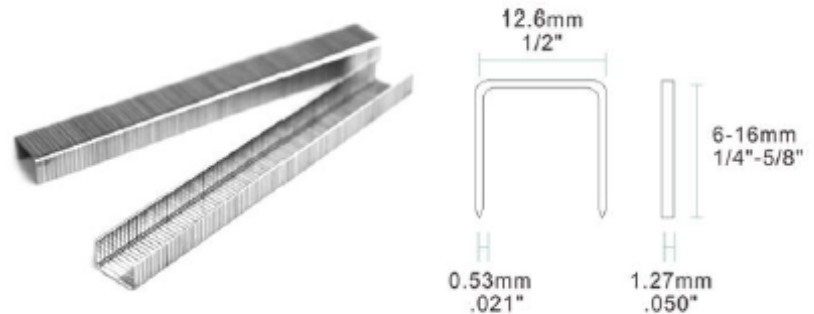
10J Staples Series 20GA



12J Staples Series



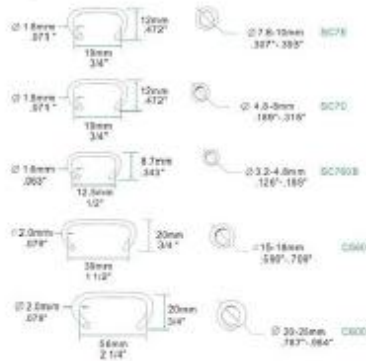
50 Series Staples 20GA



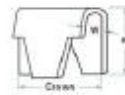
Guangdong Meite Mechanical Co., Ltd

Fasteners:

C Ring Series 15/16GA



Clips Series



FOR CLINCHING PIN SIZE				
		W	H	CROWN
M45	CL-13	10*(4.8mm)	7*(6)*(14.7mm)	7*(8)*(11mm)
	CL-15	10*(4.8mm)	3*(8)*(9.8mm)	7*(5)*(11mm)
	CL-17	10*(4.8mm)	3*(8)*(10mm)	7*(8)*(11mm)
M46	CL-12	14*(6.2mm)	7*(6)*(11mm)	7*(8)*(11mm)
	CL-14	14*(6.2mm)	10*(12.7mm)	8*(8)*(11mm)
	CL-16	14*(6.2mm)	9*(6)*(15mm)	7*(8)*(11mm)
M48	CL-18	14*(6.2mm)	12*(13.3mm)	7*(8)*(11mm)
	CL-23	10*(4.8mm)	12*(12.7mm)	7*(8)*(22mm)
	CL-24	10*(4.8mm)	5*(8)*(15.5mm)	7*(8)*(22mm)
M50	CL-25	10*(4.8mm)	12*(12.7mm)	3*(4)*(19mm)
	CL-74	10*(4.8mm)	5*(8)*(15.5mm)	3*(4)*(19mm)
	CL-3	14*(6.2mm)	12*(12.7mm)	7*(8)*(22mm)
M56	CL-4	14*(6.2mm)	9*(6)*(14.1mm)	7*(8)*(22mm)
	CL-71	14*(6.2mm)	12*(12.7mm)	3*(4)*(19mm)
	CL-72	14*(6.2mm)	9*(6)*(14.1mm)	3*(4)*(19mm)

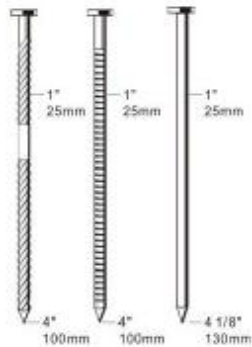
Coil Nails Series



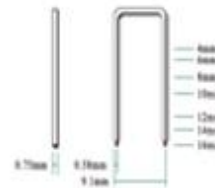
Smooth



Screw



70 Staple Series 22GA



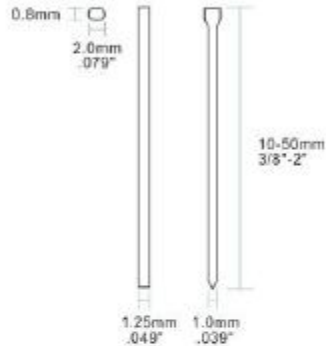
80 Staples Series 21GA



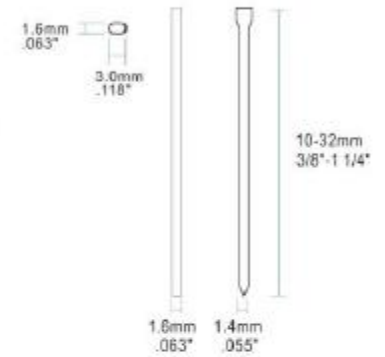
Guangdong Meite Mechanical Co., Ltd

Fasteners:

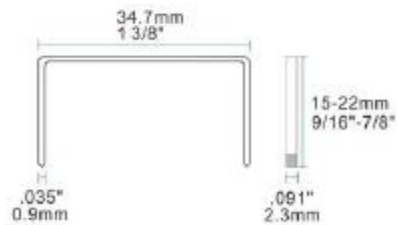
F Nails Series 18GA



T Nails Series 16GA



Carton Staples Series 16GA



Headless Pins Series 23GA



Guangdong Meite Mechanical Co., Ltd

Certificates:



Quality Products Meite Made

Guangdong Meite Mechanical Co., Ltd

Application:

