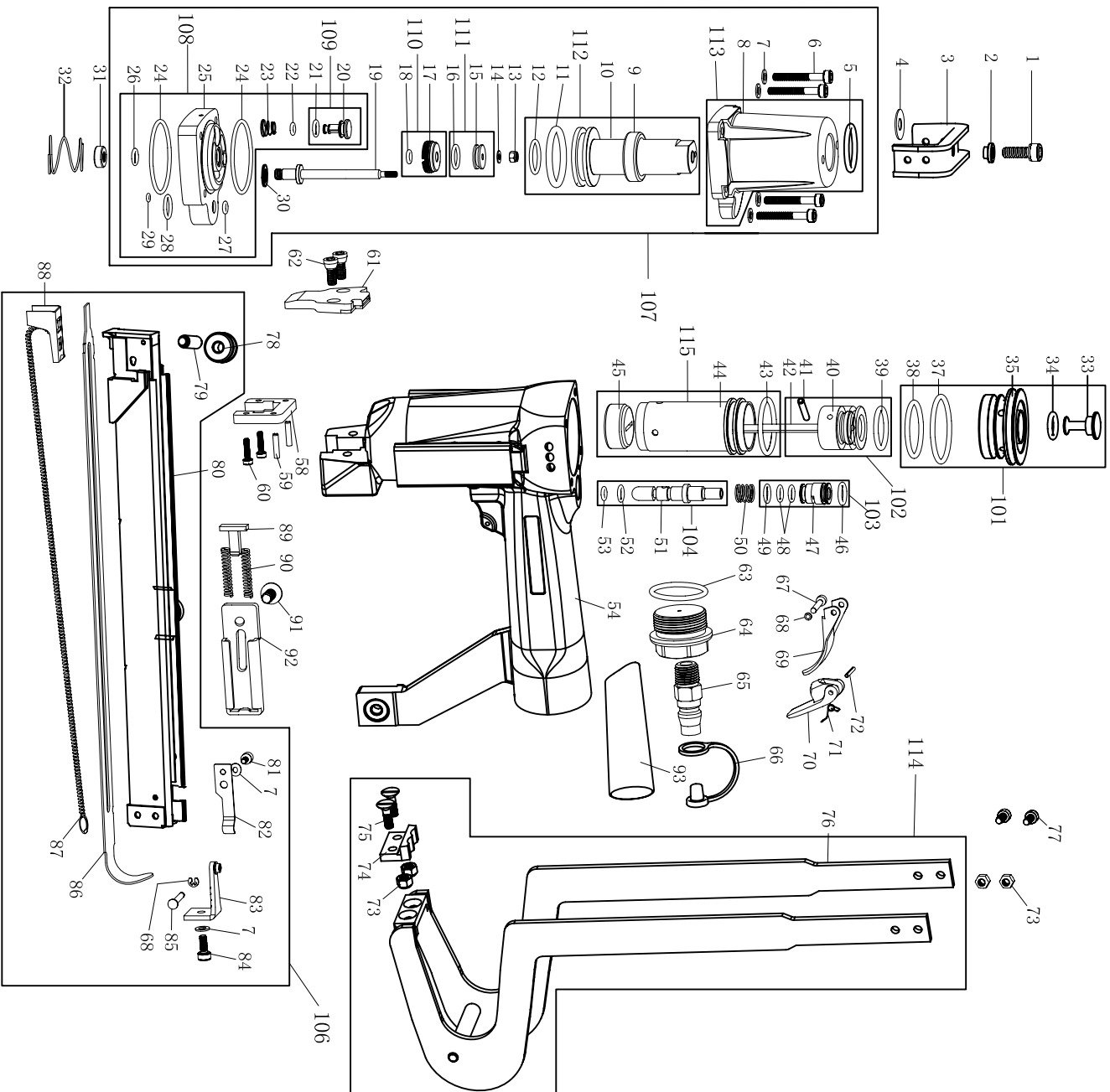


P88-U

SERIES EXPLODED VIEWS OF NAILER



ITEM NO.	PART NO.	PART NAME	QTY	ITEM NO.	PART NO.	PART NAME	QTY
1	B01-01-060200-02	SCREEN	1	58	AA03A-091A	ORIENTATION PLATE	1
2	AA03A-015A	WASHER	1	59	B02-090140-02	ROLL PIN	2
3	AA03A-016A	JOINING	1	60	B01-01-030100-02	SCREEN	2
4	AA03A-056A	FLAT WASHER	1	61	AA03A-110A1	NOZZLE COVER SCREWER	1
5	B08-020000250	C-RING	1	62	AA03A-065A	SCREEN	2
6	B01-01-010300-02	SCREEN	4	63	B08-028000265	C-RING	1
7	B01-01-010-02	SPRING WASHER	6	64	AA03A-018A	TAIL CAP	1
8	AA03A-001A	BACK CYLINDER	1	65	AA03A-018A	AIR HOSE CONNECTOR	1
9	AA03A-002A	BACK PISTON BUMPER	1	66	AA17A-095A	DUST CAP	1
10	AA03A-003A	BACK PISTON	1	67	B05-028200-01	C-RING	1
11	B08-028000355	C-RING	1	68	B03-01-0025-02	E-RING	2
12	B08-016000200	C-RING	1	69	AA03A-002A	TRIGGER	1
13	B07-01-030-00	LOCKNUT	1	70	AA03A-029A	TRIGGER SAFETY	1
14	B01-02-030-02	FLAT WASHER	1	71	AA03A-064A	SPRING	1
15	AA03A-001A	SMALL PISTON	1	72	B02-020160-02	ROLL PIN	1
16	B08-010600180	C-RING	1	73	B07-01-010-00	LOCKNUT	6
17	AA03A-006A	BACK PISTON COVER	1	74	AA03A-038A	SHARPED COXOS	1
18	B08-001800190	C-RING	1	75	B01-02-01010-02	SCREEN	2
19	AA03A-111A1	PISTON POLE SCREWER	1	76	AA03A-101A1	ERRALET	1
20	AA03A-007A	MIDDLE VALVE	1	77	B01-01-010100-02	SCREEN	1
21	B08-006300180	C-RING	1	78	AA03A-016A	ROLLER	1
22	B08-003000180	C-RING	1	79	AA03A-017A	ROLLER AXES	1
23	AA03A-061A	SPRING	1	80	AA03A-109A1	NAIL TROUGH SCREWER	1
24	B08-008000180	C-RING	2	81	B01-01-010300-02	SCREEN	1
25	AA03A-008B	CYLINDER CAP	1	82	AA03A-011A	SPRING LATCH	1
26	B08-005800190	C-RING	1	83	AA03A-106A1	LIMITR	1
27	B08-005000180	C-RING	1	84	B01-01-010080-02	SCREEN	1
28	B08-011200180	C-RING	1	85	B05-028190-01	ROLL PIN	1
29	B08-002500190	C-RING	1	86	AA03A-065A	PUSH PLATE	1
30	AA03A-068A	SHIM	1	87	AA03A-060A	PULL SPRING	1
31	AA03A-009A	NOI	1	88	AA03A-015A	FUSHER	1
32	AA03A-028A	SPRING	1	89	AA03A-002A	T BLOCK	1
33	AA03A-012A	ERAIN TAP	1	90	AA03A-063A	SPRING	2
34	B08-010600265	C-RING	1	91	B01-02-060120-02	SCREEN	1
35	AA03A-127A1	ACTIVE VALVE	1	92	AA03A-033A	LINK	1
37	B08-031600265	C-RING	1	93	0209A	GRIP COVER	1
38	B08-028000265	C-RING	1				
39	B08-018000355	C-RING	1				
40	AA03A-012A	DRIVER HEAD	1	101	AA03A-104A1	ACTIVE VALVE SET	
41	AA03A-069A	FIN	1	102	AA03A-116A1	DRIVER SET	
42	AA03A-013A	DRIVER	1	103	AA03A-114A1	AIR COMBOUT SET	
43	B08-028000265	C-RING	1	104	AA03A-115A1	AIR PIPE SET	
44	AA03A-014A	CYLINDER	1	106	AA03A-113A1	NAIL TROUGH SET	
45	AA03A-014A	BUMPER	1	107	AA03A-104A1	BACK COVER SET	
46	B08-008700180	C-RING	1	108	AA03A-105A1	CYLINDER CAP SET	
47	AA03A-021A	AIR COMBOUT	1	109	AA03A-114A1	MIDDLE VALVE SET	
48	B08-005800180	C-RING	2	110	AA03A-122A1	BACK PISTON COVER SET	
49	B08-007600180	C-RING	1	111	AA03A-113A1	SMALL PISTON SET	
50	AA03A-062A	SPRING	1	112	AA03A-125A1	BACK PISTON SET	
51	AA03A-025A	AIR PIPE	1	113	AA03A-126A1	BACK CYLINDER SET	
52	B08-001800180	C-RING	1	114	AA03A-117A1	BRACKET SET	
53	B08-001800190	C-RING	1	115	AA03A-112A1	CYLINDER SET	
54	AA03A-107A1	BODY ASSMBL	1				

GBA03A00302

A3