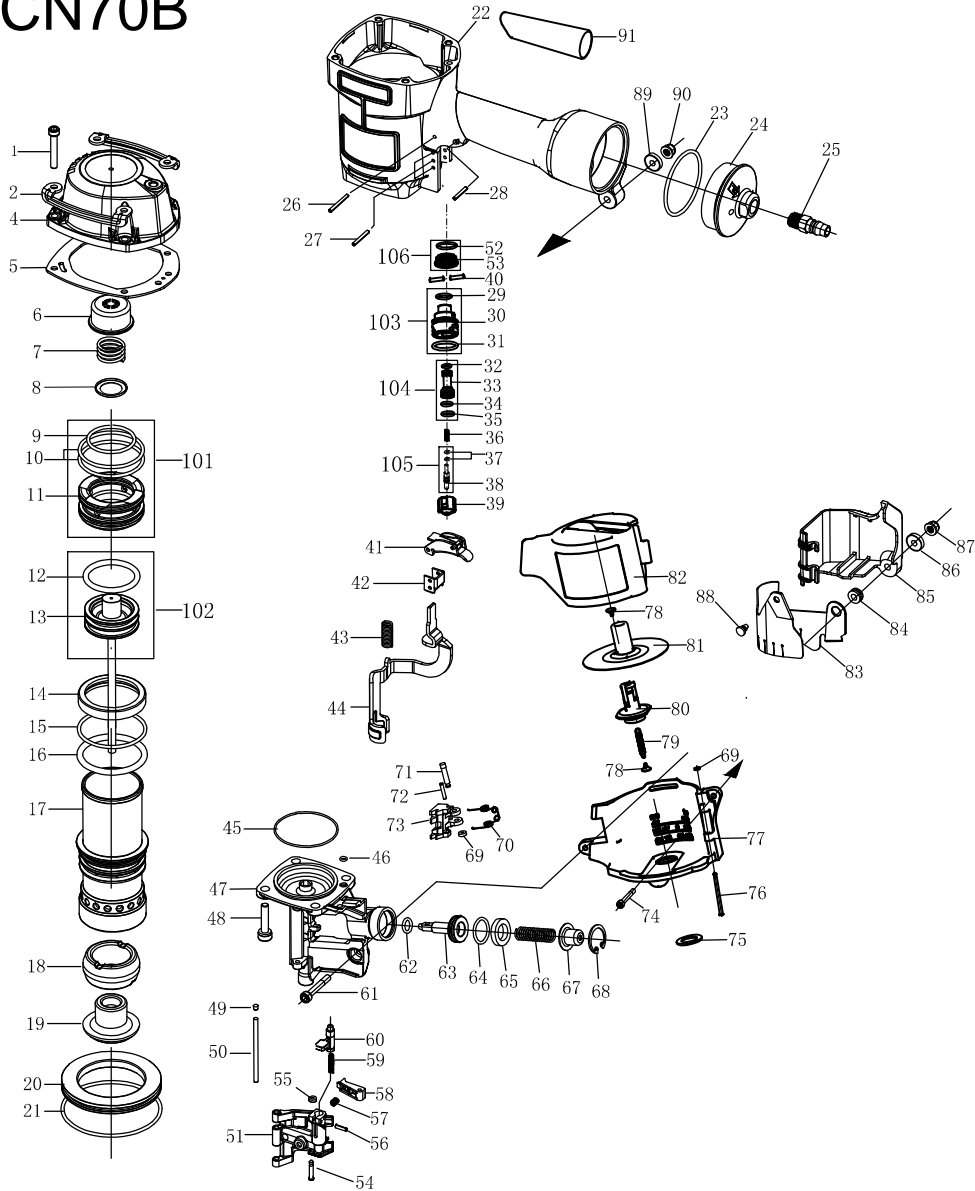


SERIES EXPLODED VIEWS OF NAILER

CN70B



ITEM NO.	PART NO.	PART NAME	Q' TY	ITEM NO.	PART NO.	PART NAME	Q' TY
1	B01-01-060300-02	SCREW	4	50	AA42A-018A	STRAIGHT PIN	1
2	AA42A-001A	PROTECTOR	2	51	AA42A-029A	DOOR	1
4	AA42A-Y13A1	CYLINDER CAP	1	52	B08-016000180	O-RING	1
5	AA42A-003A	CYLINDER CAP SHIM	1	53	AA40A-039A	TRIGGER COVER	1
6	AA42A-004A	AIRPROOF CUSHION	1	54	AA42A-027A	STEP PIN	1
7	AA42A-005A	SPRING	1	55	AA40A-054A	RUBBER JACKER	1
8	AA42A-006A	SPRING WASHER	1	56	B02-030120-02	ROLL PIN	1
9	B08-041600300	O-RING	1	57	AA40A-055A	SPRING	1
10	B08-056000300	O-RING	2	58	AA42A-028A	CHECK PAWL	1
11	AA42A-007B	ACTIVE VALVE	1	59	AA40A-024A	SPRING	1
12	B08-043000490	O-RING	1	60	AA40A-023A	SHUTOFF	1
13	AA42A-Y05A3	DRIVER	1	61	B01-01-060400-02	SCREW	1
14	AA42A-010A	AIRPROOF ANNULUS	1	62	B08-009800240	O-RING	1
15	B08-056800300	O-RING	1	63	AA42A-024A	FEED PISTON	1
16	B08-056600570	O-RING	1	64	B08-020800240	O-RING	1
17	AA42A-009A	CYLINDER	1	65	AA42A-022A	FEED PISTON STOP	1
18	AA42A-045A	BUMPER II	1	66	AA42A-023A	SPRING	1
19	AA42A-044A	BUMPER I	1	67	AA42A-021A	SPRING COLLAR	1
20	AA42A-008A	CYLINDER RING	1	68	B03-03-0260-02	RETAINING RING	1
21	B08-064400310	O-RING	1	69	AA40A-054A	RUBBER JACKER	2
22	AA42A-013A	BODY	1	70	AA40A-057A	SPRING	1
23	B08-057000300	O-RING	1	71	AA40A-032A	STEP PIN	1
24	AA42A-014A	TAIL CAP	1	72	B02-030160-02	ROLL PIN	2
25	AA06A-018A	AIR HOSE CONNECTOR	1	73	AA42A-025A	FEED PAWL	1
26	B02-030320-02	ROLL PIN	1	74	B01-01-060350-02	SCREW	1
27	B02-030240-02	ROLL PIN	3	75	AA42B-004A	POST RETAINER	1
28	B02-030220-02	ROLL PIN	1	76	AA42B-007A	PIN	1
29	B08-011800180	O-RING	1	77	AA42B-001A	MAGAZINE	1
30	AA142A-042A	VALVE	1	78	AA40A-046A	RECEIVER, SPRING	2
31	B08-019600240	O-RING	1	79	AA40A-047A	TENSION SPRING	1
32	B08-005800190-10	O-RING	1	80	AA42B-003A	MAGAZINE POST	1
33	AA17D-006A	VALVE PISTON	1	81	AA42B-Y01A1	NAIL SUPPORT	1
34	B08-005800190	O-RING	1	82	AA42B-002A	MAGAZINE COVER	1
35	B08-008800190	O-RING	1	83	AA42A-020A	DUST COVER	1
36	AA40A-062A	SPRING	1	84	AA40A-050A	SHIM	1
37	B08-002500140-02	O-RING	2	85	AA42A-015A	MUZZLE COVER	1
38	AA17D-007A	THIMBLE	1	86	AA40A-056A	FLAT WASHER	1
39	AA42A-041A	TRIGGER COVER	1	87	B07-01-060-00	LOCKNUT	1
40	AA42A-043A	TRIGGER PIN	2	88	AA40A-035A	DUST COVER HOOK	1
41	AA40A-Y13A1	TRIGGER SET	1	89	AA40A-056A	FLAT WASHER	1
42	AA42A-019A	SAFETY ORIENT	1	90	B07-01-060-00	LOCKNUT	1
43	AA42A-038A	SPRING	1	91	GG08A	SHEATH	1
44	AA42A-016A	SAFETY	1	101	AA42A-Y02A2	ACTIVE VALVE SET	
45	B08-057000150	O-RING	1	102	AA42A-Y06A3	DRIVER SET	
46	B08-004000150	O-RING	1	103	AA42A-Y14A1	VALVE CAP SET	
47	AA42A-026A	MUZZLE	1	104	AA17D-Y04A1	VALVE PISTON SET	
48	B01-01-080300-02-ML	SCREW	4	105	AA17D-Y06A1	THIMBLE SET	
49	AA42A-017A	RUBBER GAG	1	106	AA40B-Y15A1	TRIGGER COVER SET	