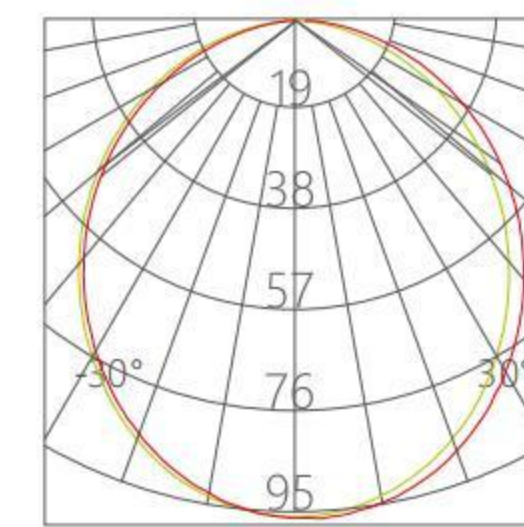




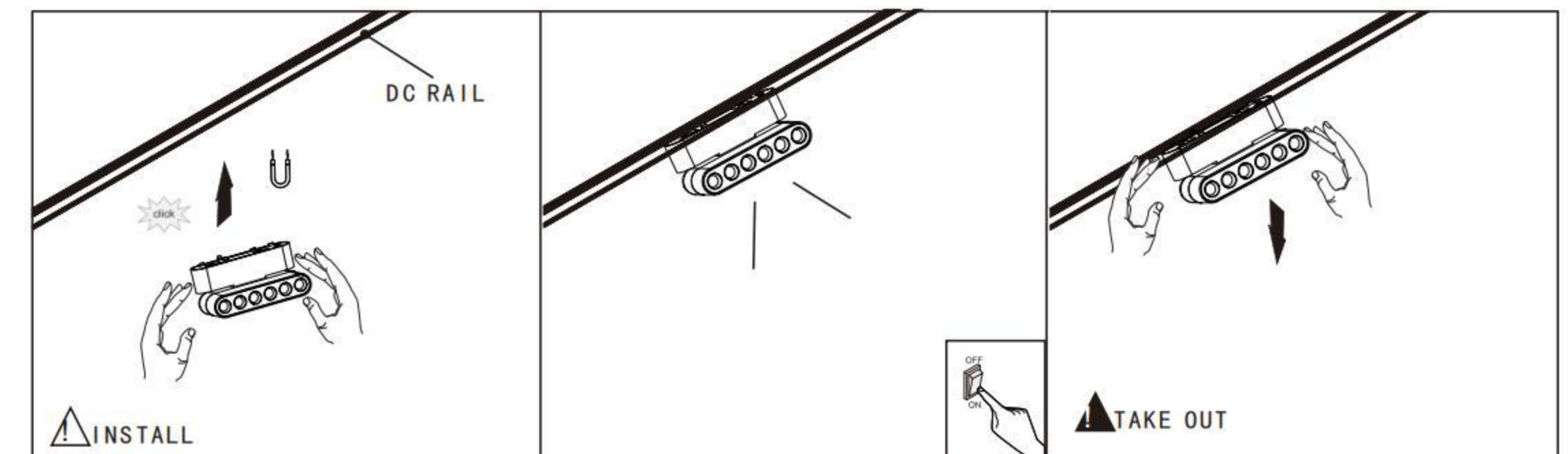
UTR-ZF



UTR-ZF SERIES



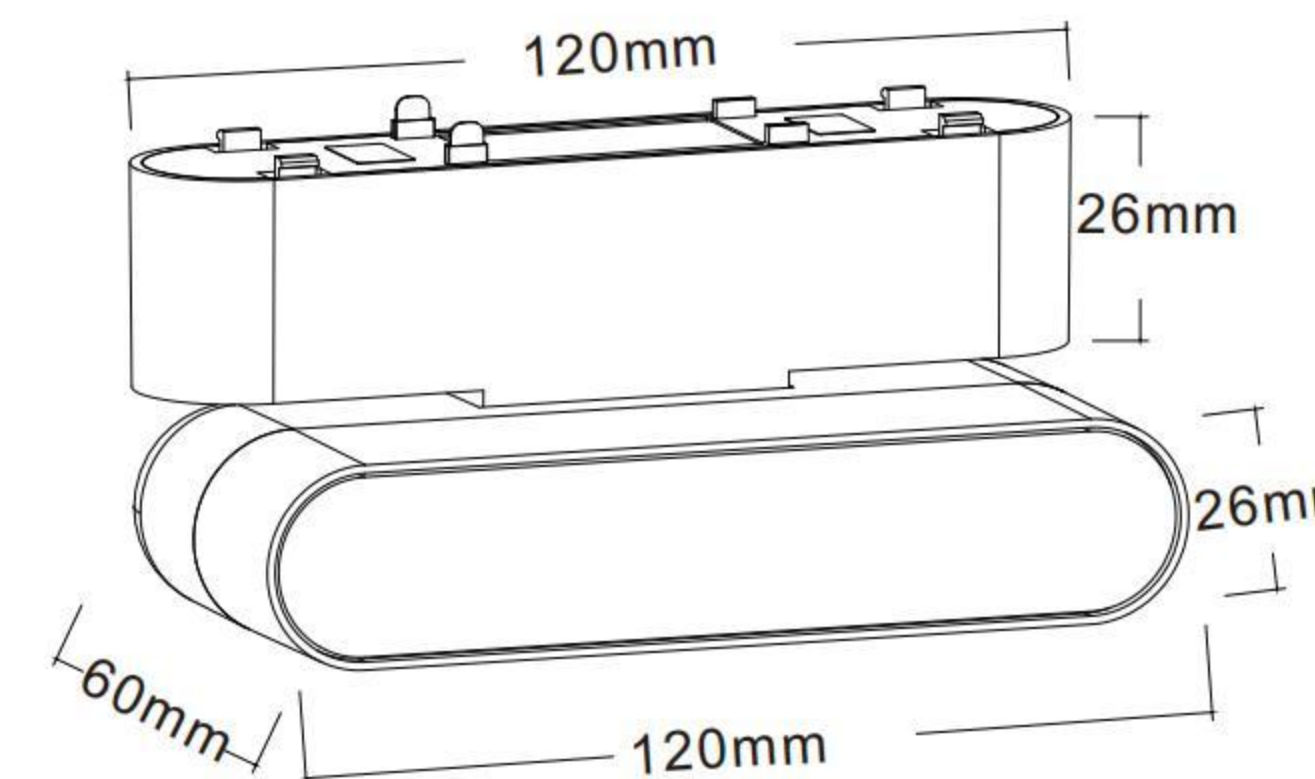
90°	DC 48V	3000K Ra>90	ON/OFF	BK
		4000K Ra>90	0-10V Optional	WH
		6500K Ra>90	0-220V Optional	IP20
		UGR<=6		
OSRAM	SAN AN	CREE	BRIDGELUX	



TECHNICAL SPECIFICATIONS

Model No:	UTR-ZF
Power :	6W/12W
Colour Temperature :	3000K/4000K/6500K
Colour Rendering Index :	CRI>80
Housing material :	Alumium + PC
Input parameter :	DC48V
Light source type :	SMD

MODEL :UTR-ZF6W



MODEL :UTR-ZF12W

