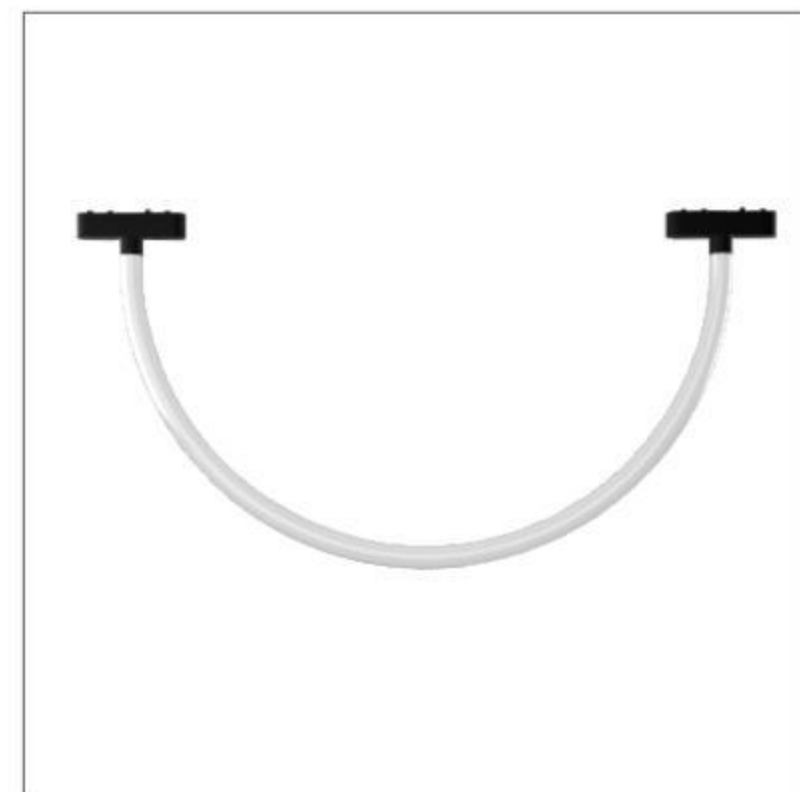


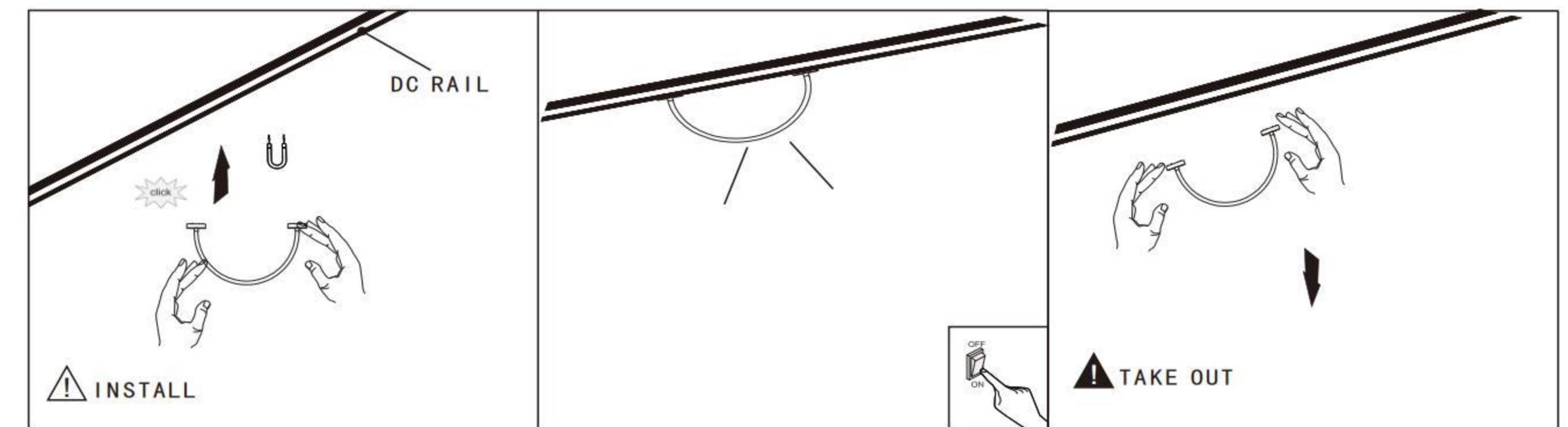


UTR-RG



UTR-RG SERIES

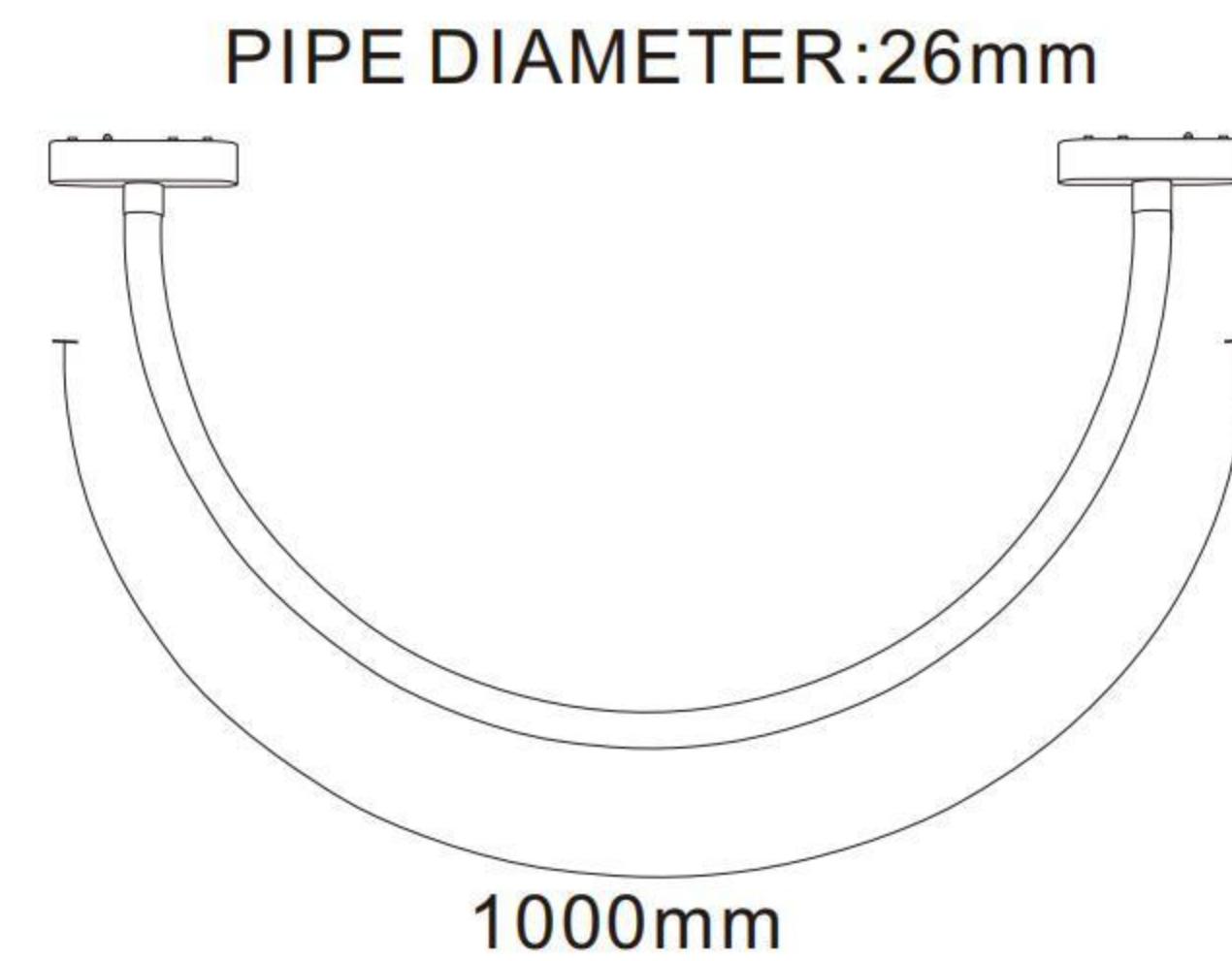
360°	DC 48V	3000K Ra>90	ON/OFF	BK
		4000K Ra>90	0-10V Optional	WH
		6500K Ra>90	0-220V Optional	IP20
		UGR<6		
OSRAM	SAN AN	CREE	BRIDGELUX	



TECHNICAL SPECIFICATIONS

Model No:	UTR-RG
Power :	10W/20W
Colour Temperature :	3000K/4000K/6500K
Colour Rendering Index :	CRI>80
Housing material :	Alumium + PC
Input parameter :	DC48V
Light source type :	SMD

MODEL : UTR-RG10W



MODEL : UTR-RG20W

