



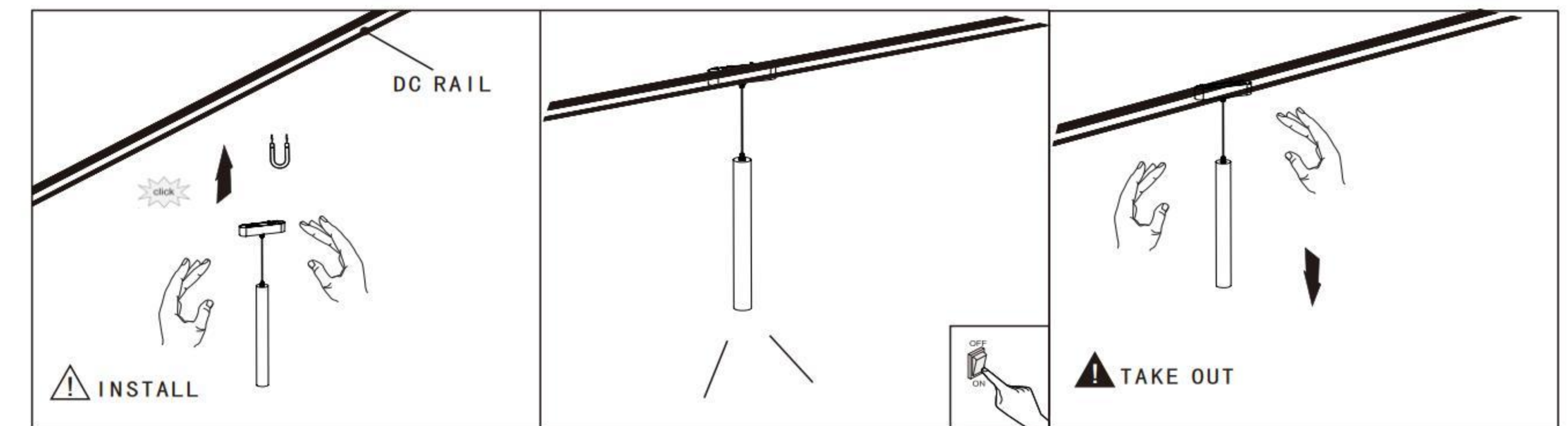
UTR-DX01



UTR-DX01 SERIES

SMD	24°	6W			36°	6W			300°	DC 48V	3000K Ra>90	ON/OFF	BK
		h(m)	Ea(lx)	D(cm)		h(m)	Ea(lx)	D(cm)					
		1	1983	38.03	1	810.5	53.84						
		2	495.7	76.06	2	202.6	107.68						
		3	220.3	114.09	3	90.06	161.53						
		4	123.9	152.12	4	50.66	215.37						
		5	79.31	190.15	5	32.42	269.21						
		12W				12W							
		1	3114	49.76	1	6086	47.49						
		2	778.6	99.52	2	1522	94.98						
		3	346.0	149.29	3	676.2	142.46						
		4	194.6	199.05	4	380.4	189.95						
		5	124.6	248.81	5	243.4	237.44						

300°	DC 48V	3000K Ra>90	ON/OFF	BK
		4000K Ra>90	0-10V Optional	WH
		6500K Ra>90	0-220V Optional	IP20
	UGR<6			
OSRAM	SAN AN	CREE	BRIDGELUX	



TECHNICAL SPECIFICATIONS

Model No:	UTR-DX01
Power :	8W
Colour Temperature :	3000K/4000K/6500K
Colour Rendering Index :	CRI>80
Housing material :	Alumium + PC
Input parameter :	DC48V
Light source type :	SMD

MODEL : UTR-DX01

