



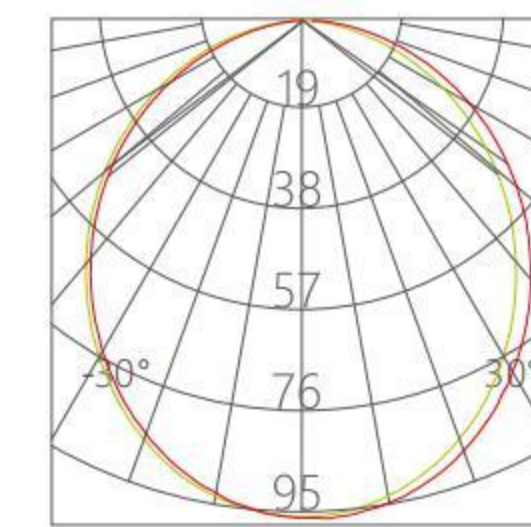
MG-DC



MG-DC SERIES

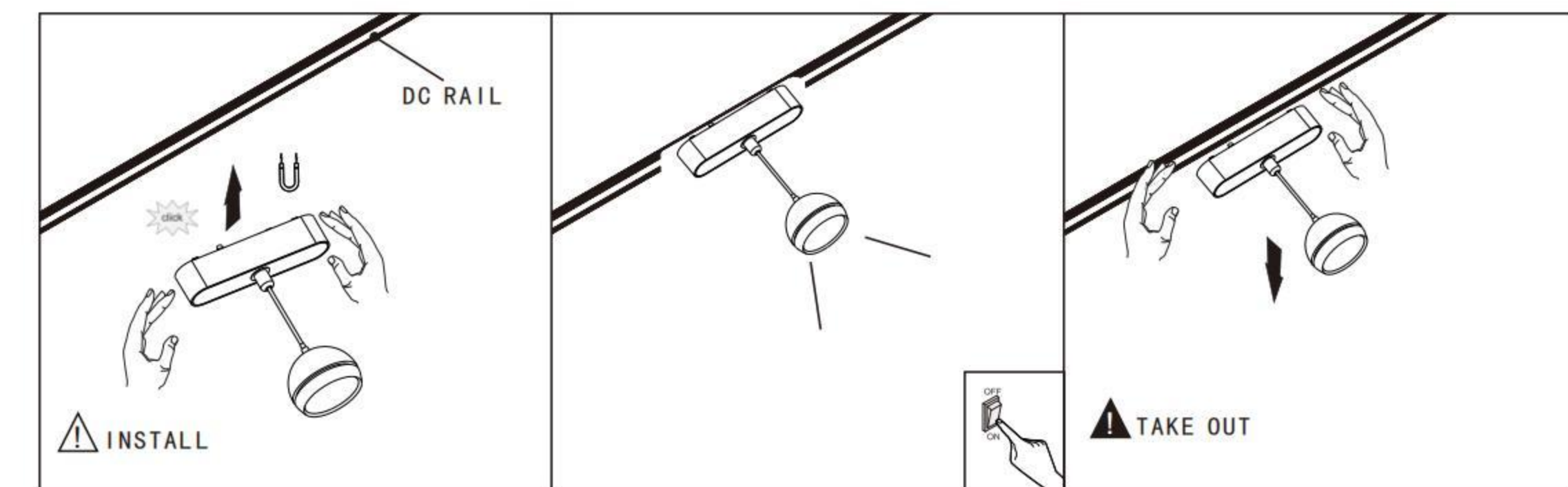


120°



h(m)	Ea(lx)	D(cm)
1	31.35	258.03
2	7.838	516.05
3	3.483	774.08
4	1.959	1032.11
5	1.254	1290.14

DC 48V	3000K Ra>90	ON/OFF	BK
	4000K Ra>90	0-10V Optional	WH
	6500K Ra>90	0-220V Optional	IP20
	UGR<6		
OSRAM	SAN AN	CREE	BRIDGELUX



TECHNICAL SPECIFICATIONS

Model No:	MG-DC
Power :	9W
Colour Temperature :	3000K/4000K/6500K
Colour Rendering Index :	CRI>90
Housing material :	Alumium + PC
Input parameter :	DC48V
Light source type :	SMD

MODEL : MG-DC-9W

