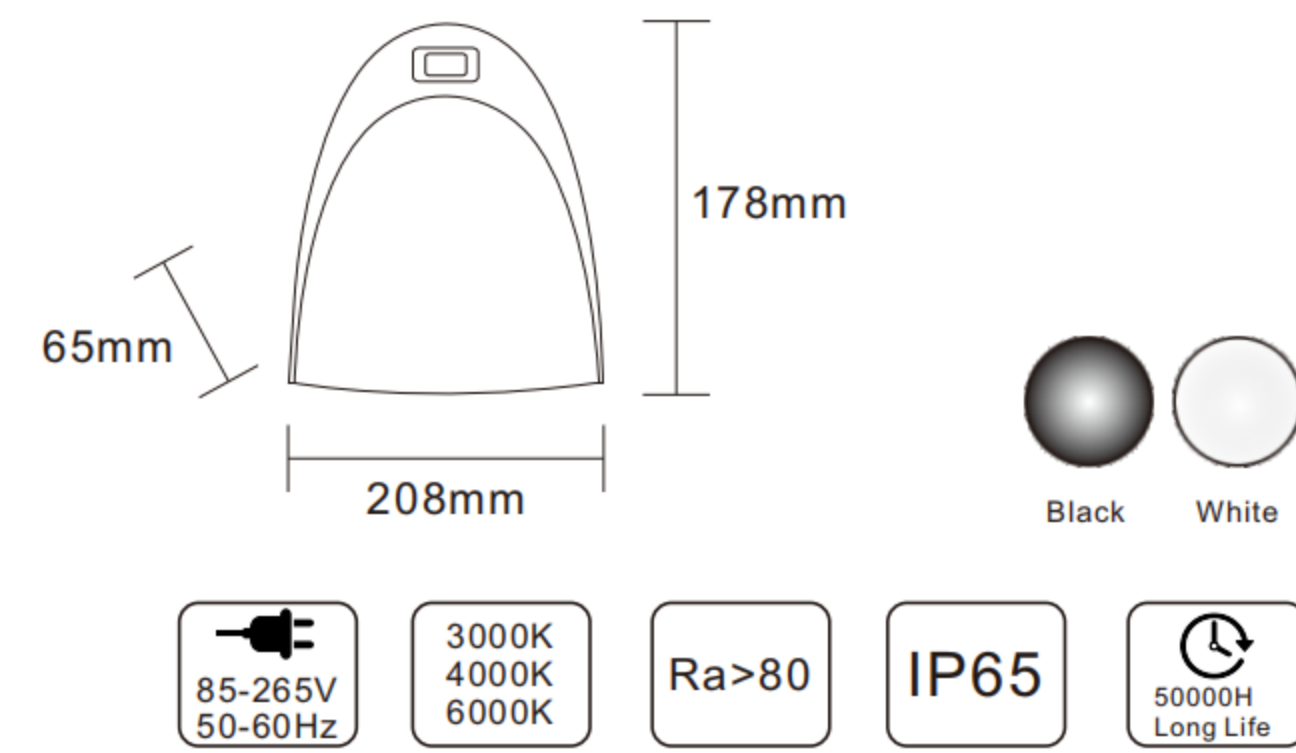


XG-301



Item No	Power	Size	Input	Lumen	Material
XG-301	24W+2W	L208*W178*H65mm	AC 85-265V 50-60Hz	100LM/W	PP+PP

TECHNICAL SPECIFICATIONS

Product Name :	Moisture-proof lamps
Model no:	XG-301
Power :	24W+2W
Color :	White / Black
Input :	AC85-265V , 50 /60 HZ
Temperature range :	-20-50°C
Light source :	SMD2835
Lumen :	100 LM/W
Colour Temperture :	3000K - 6500K
Colour Rendering Index :	CRI>80
Beam angle :	120°
Power factor :	Pf>0.5 / Pf>0.9
Power efficiency :	92%
Housing material :	PP
Cover material :	PP
Lighning protection :	1.5-4KV
Sealing material :	Gule
Protection class :	Ip65

