



CDS220

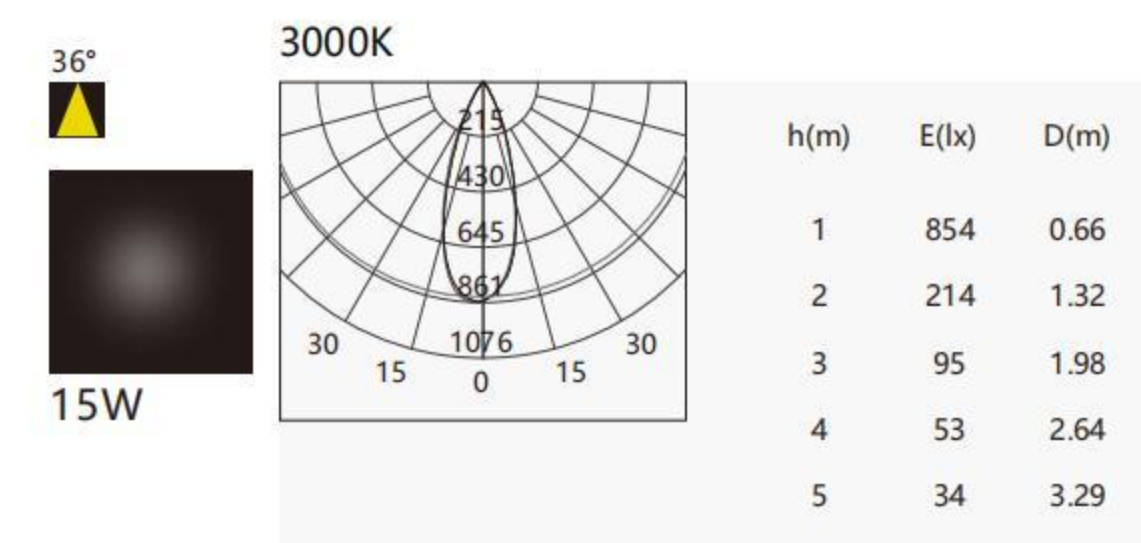
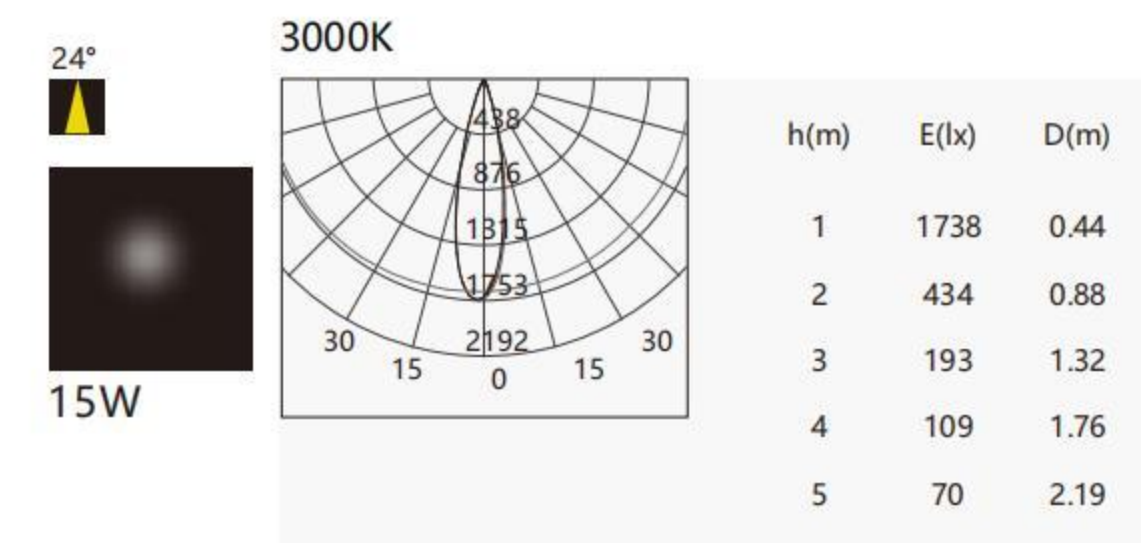
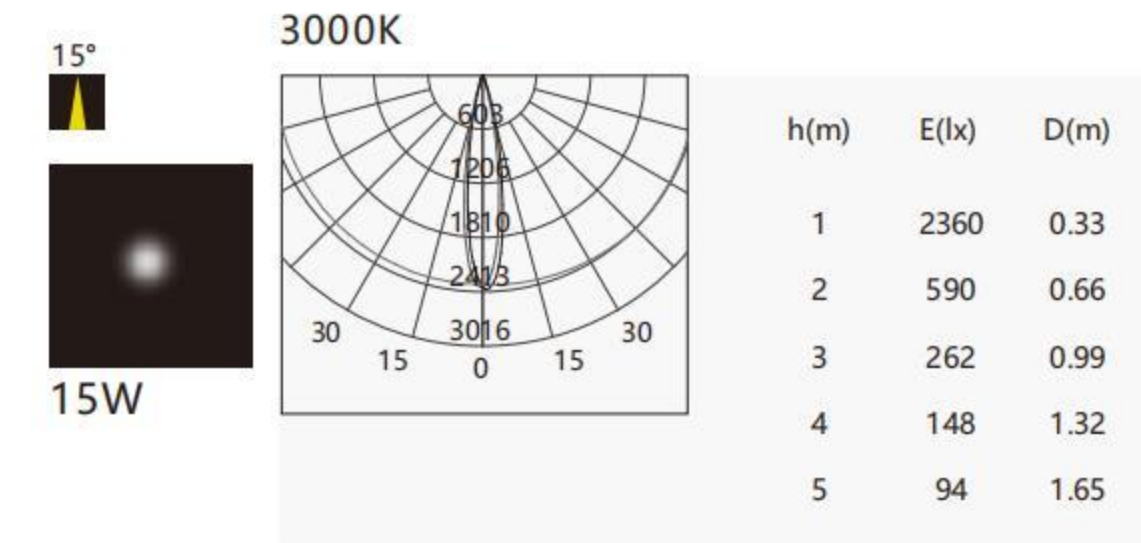
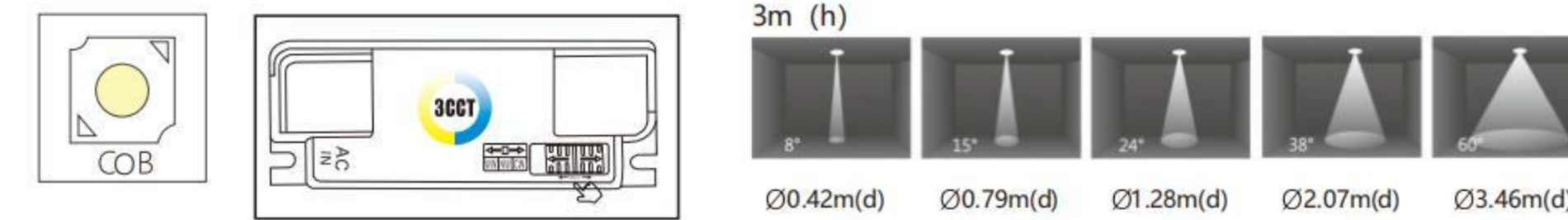
CDS221

TECHNICAL SPECIFICATIONS

Product Name :	COB Downlight
Model no:	CDS220/CDS221
Power :	12W
Input :	AC85-265V , 50 /60 HZ
Temperature range :	-20-50°C
Light source :	COB
Lumen :	80-110 LM/W
Colour Temperture :	3000K - 6500K/CCT
Colour Rendering Index :	CRI>80
Beam angle :	15°/24°/36°/55°
Power factor :	Pf>0.5 / Pf>0.9
Power efficiency :	92%
Housing material :	Die-casting Aluminium
Optical material:	Reflective cup+Lens
Lighning protection :	1.5-4KV
Protection class :	Ip20

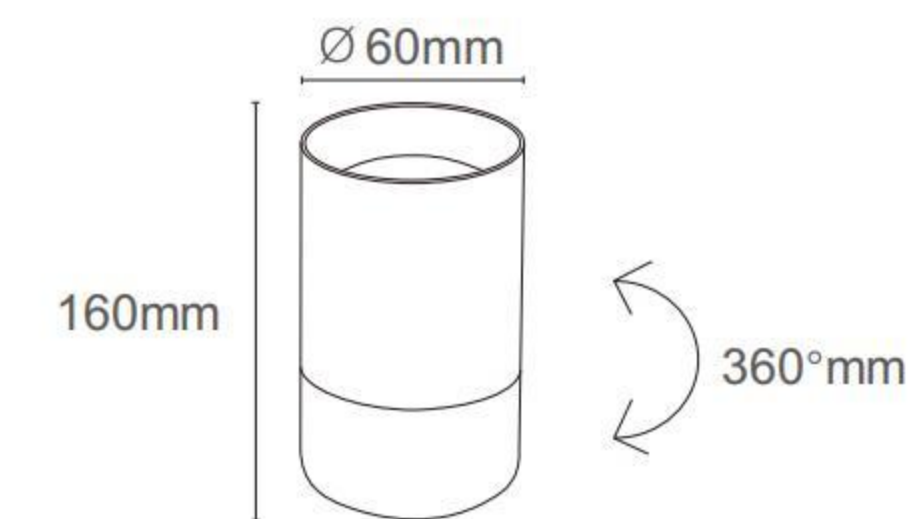


CDS220 CDS221 SERIES



85-265V 50-60Hz	UGR≤6	LED	50000H Long Life
IP20	3000K Ra≥80	4000K Ra≥80	6500K Ra≥80
OSRAM	SAN AN	CREE	BRIDGELUX
MATT WH	MATT BK	MATT GD	UV BK
			UV SL

MODEL :
CDS220-12W



MODEL :
CDS221-12W

