



IP65

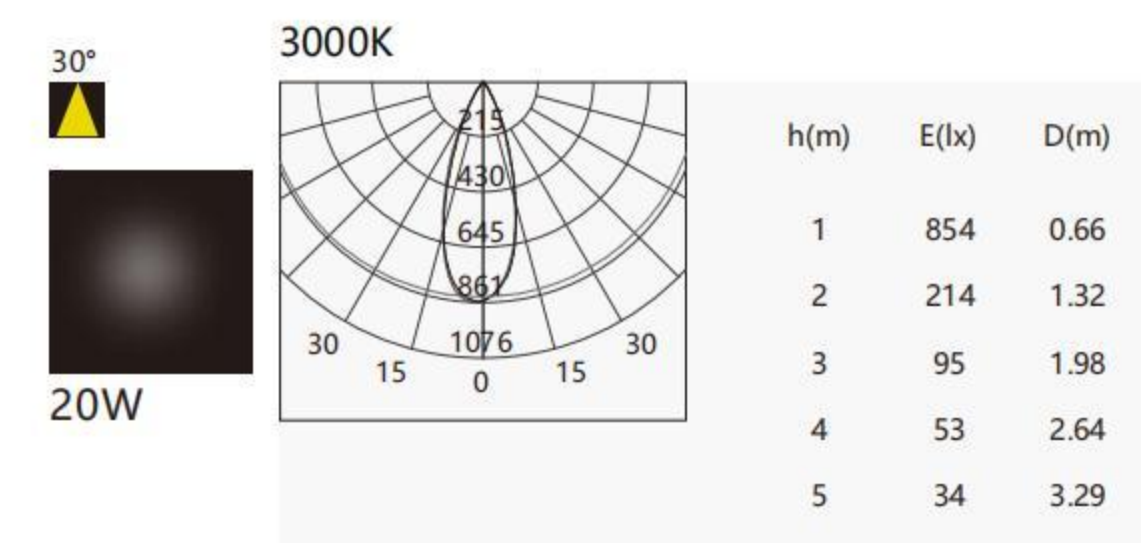
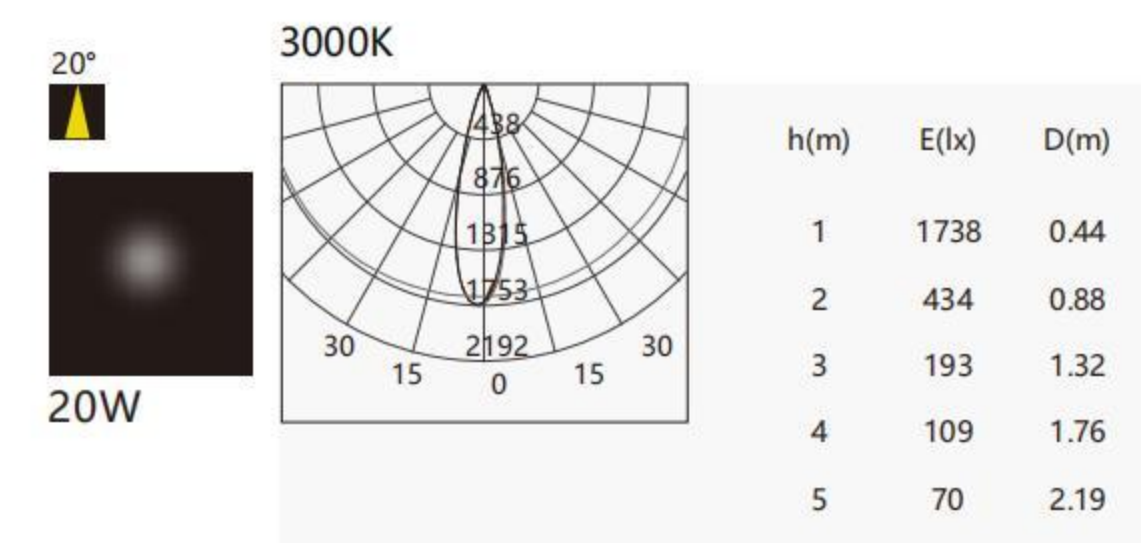
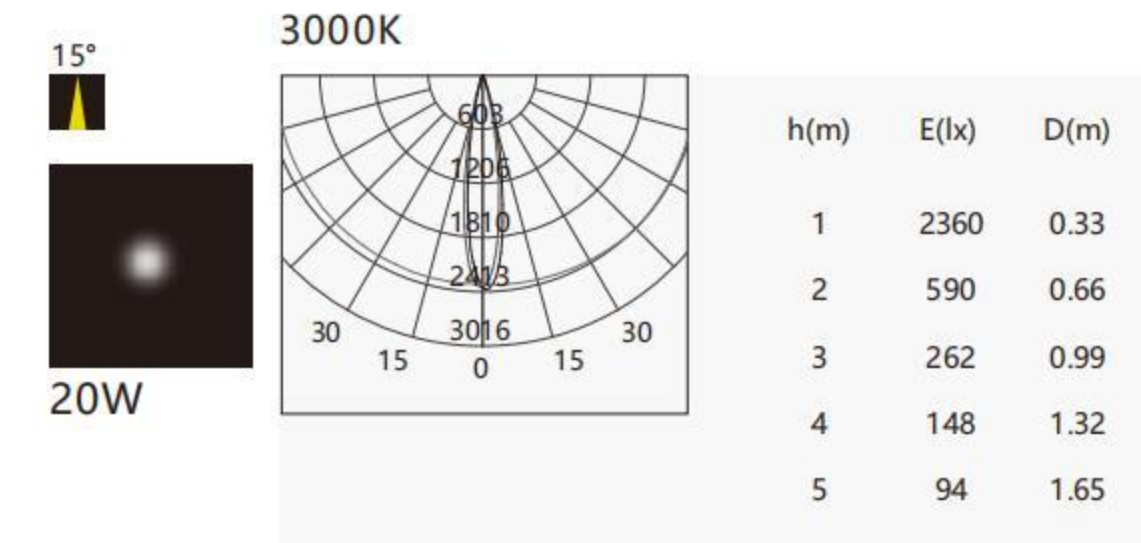
CD-6502

TECHNICAL SPECIFICATIONS

Product Name :	COB Downlight
Model no:	CD-6502
Power :	12W/18W/30W
Input :	AC85-265V , 50 /60 HZ
Temperature range :	-20-50°C
Light source :	COB
Lumen :	80-110 LM/W
Colour Temperture :	3000K - 6500K/CCT
Colour Rendering Index :	CRI>80
Beam angle :	20°/40°
Power factor :	Pf>0.5 / Pf>0.9
Power efficiency :	92%
Housing material :	Die-casting Aluminium
Optical material:	Reflective cup+Lens
Lighning protection :	1.5-4KV
Protection class :	Ip65



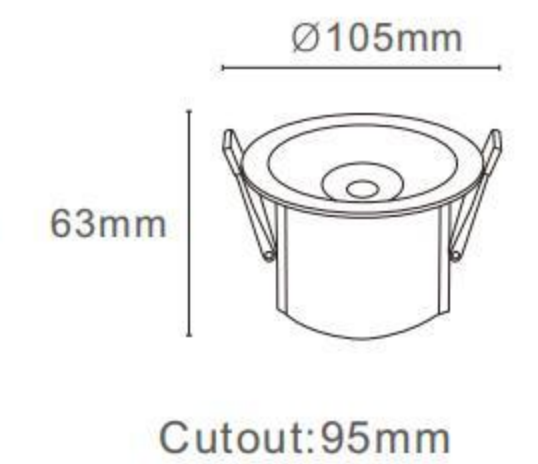
CD-6502 SERIES



MODEL :
CD-6502-12W



MODEL :
CD-6501-18W



MODEL :
CD-6502-30W

