



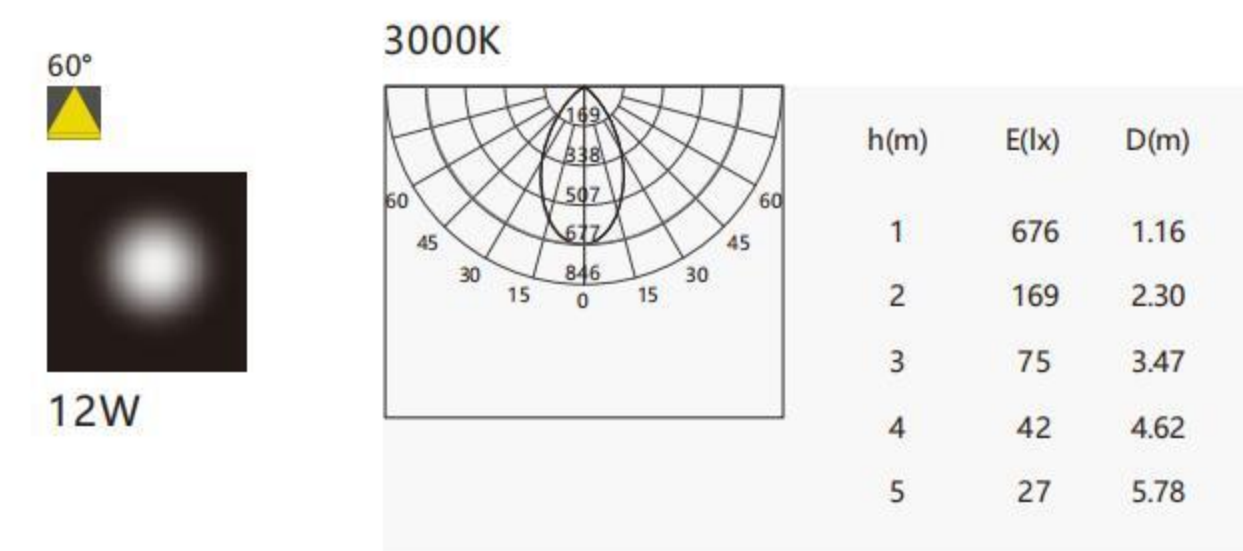
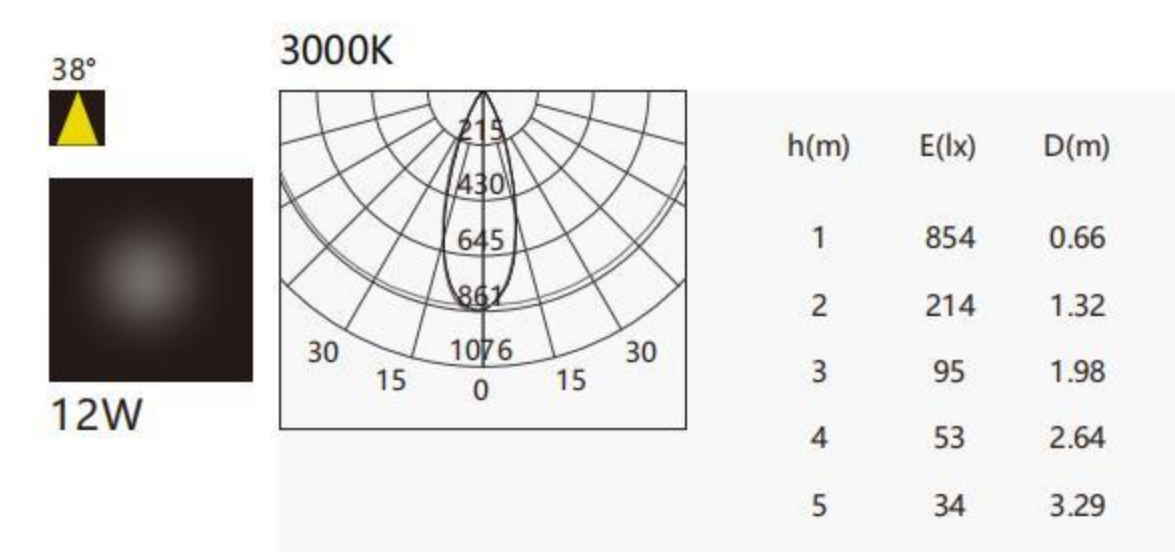
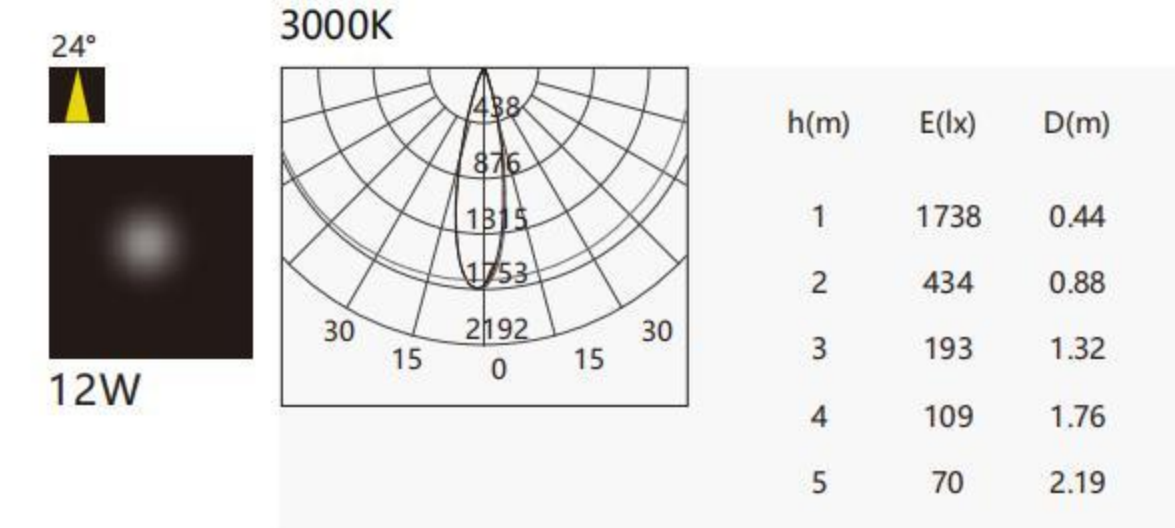
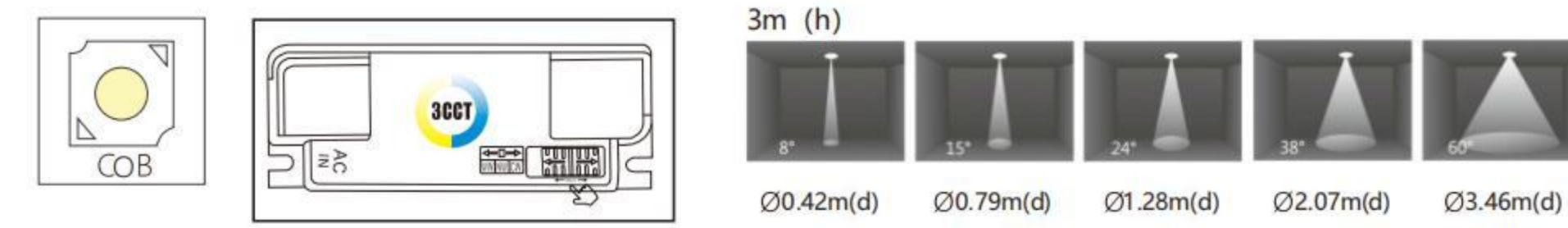
CD-2358

TECHNICAL SPECIFICATIONS

Product Name :	COB Downlight
Model no:	CD-2358
Power :	7W/12W/18W
Input :	AC85-265V , 50 /60 HZ
Temperature range :	-20-50°C
Light source :	COB
Lumen :	80-110 LM/W
Colour Temperture :	3000K - 6500K/CCT
Colour Rendering Index :	CRI>80
Beam angle :	24°/38°/60°
Power factor :	Pf>0.5 / Pf>0.9
Power efficiency :	92%
Housing material :	Die-casting Aluminium
Optical material:	Reflective cup
Lighning protection :	1.5-4KV
Protection class :	Ip20



CD-2358 SERIES



85-265V 50-60Hz	UGR≤6	LED	50000H Long Life
IP20	IP20	IP20	IP20
3000K Ra>80	4000K Ra>80	6500K Ra>80	
OSRAM	SAN AN	CREE	BRIDGELUX
	WH	BK	
	SAND WH	SAND BK	
UV BK	UV SL	UV GD	UV RSGD

