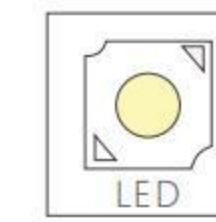


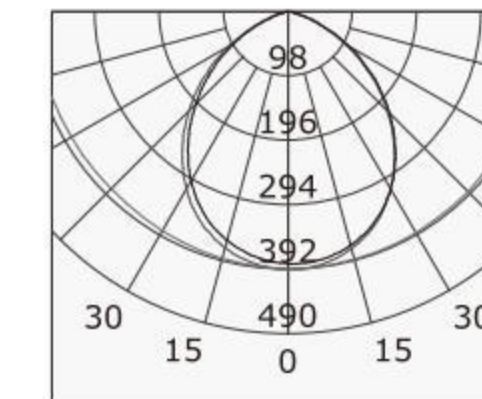


RAS SERIES

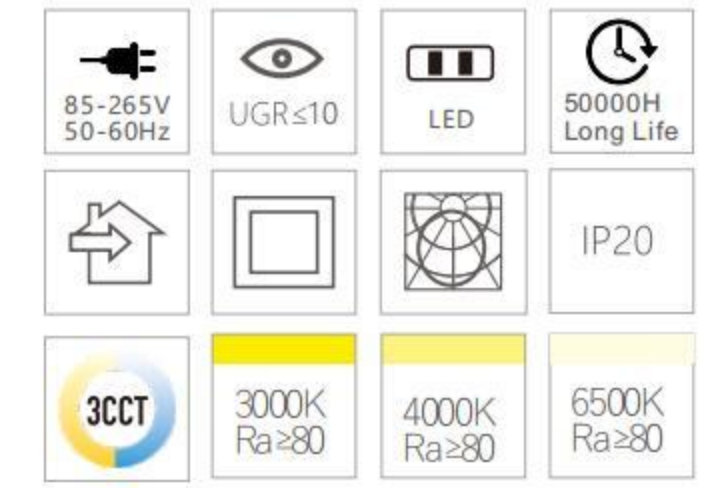


12W

3000K



h(m)	E(lx)	D(m)
1	392	2.18
2	98	4.36
3	44	6.54
4	25	8.72
5	16	10.90



RAS

TECHNICAL SPECIFICATIONS

Product Name :	SMD Downlight
Model no:	RAS
Power :	7W*2/12W*2/18W*2/24W*2
Input :	AC85-265V , 50 /60 HZ
Temperature range :	-20-50°C
Light source :	LED SMD2835
Lumen :	90-110 LM/W
Colour Temperture :	3000K - 6500K
Colour Rendering Index :	CRI>80
Beam angle :	110°
Power factor :	Pf>0.5 / Pf>0.9
Power efficiency :	92%
Housing material :	Die casting Aluminium
Diffuser :	PC
Lighning protection :	1.5-4KV
Protection class :	Ip20



MODEL :
RAS-7W*2



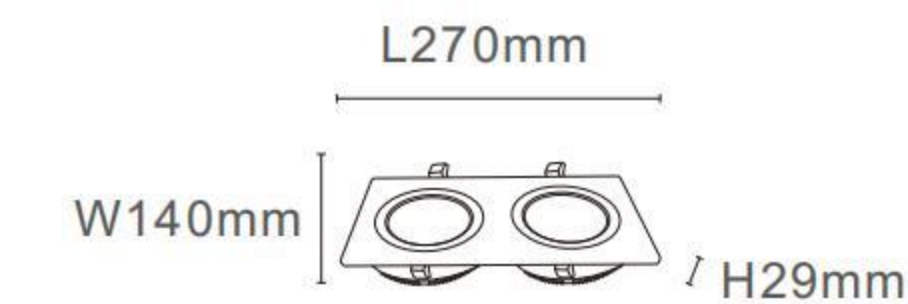
Cutout:L160mm*W75mm

MODEL :
RAS-12W*2



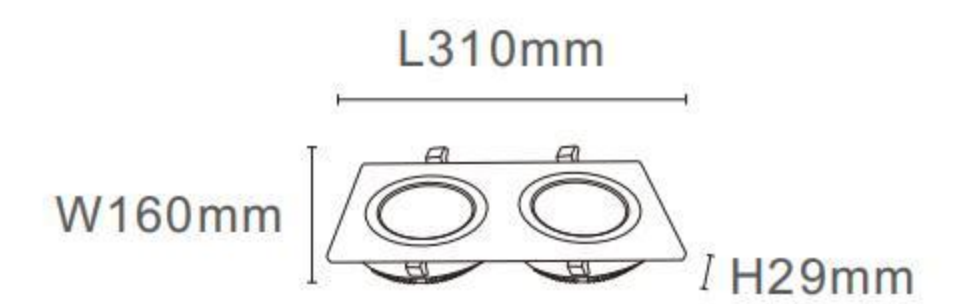
Cutout:L120mm*W95mm

MODEL :
RAS-18W*2



Cutout:L250mm*W120mm

MODEL :
RAS-24W*2



Cutout:L290mm*W140mm