



BY

TECHNICAL SPECIFICATIONS

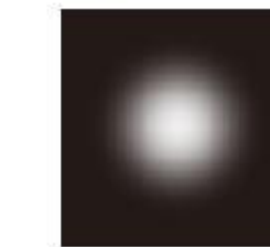
Product Name :	SMD Downlight
Model no:	BY
Power :	7W/12W/15W/20W/30W
Input :	AC85-265V , 50 /60 HZ
Temperature range :	-20-50°C
Light source :	LED SMD2835
Lumen :	90-110 LM/W
Colour Temperture :	3000K - 6500K
Colour Rendering Index :	CRI>80
Beam angle :	110°
Power factor :	Pf>0.5 / Pf>0.9
Power efficiency :	92%
Housing material :	Die casting Aluminium
Diffuser :	PS & PC
Lighning protection :	1.5-4KV
Protection class :	Ip20



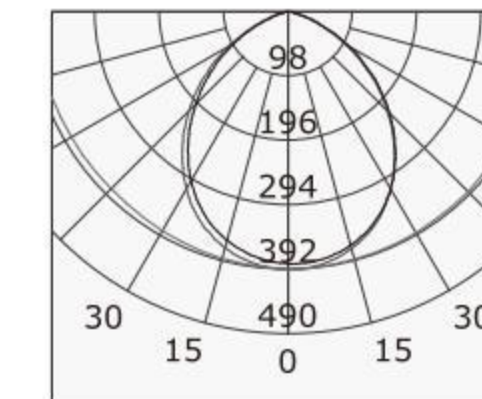
BY SERIES



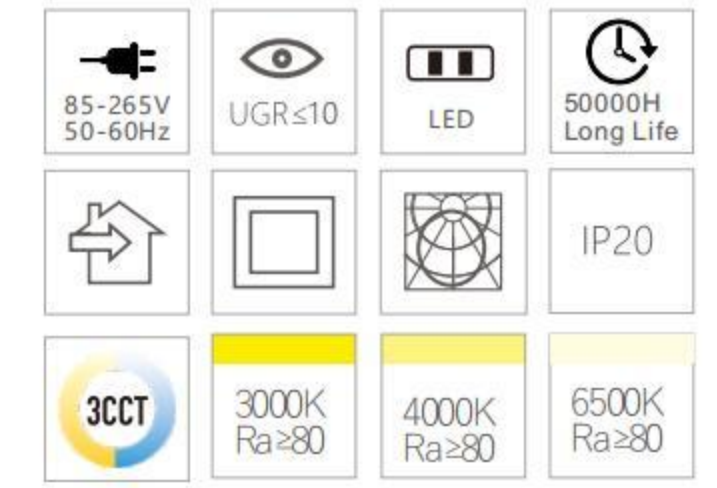
110°



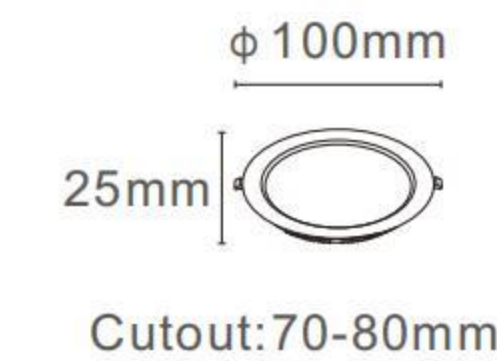
12W



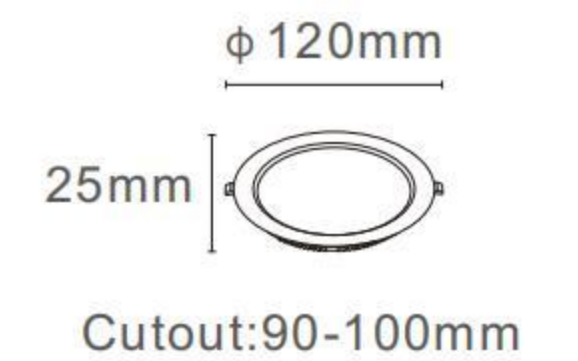
h(m)	E(lx)	D(m)
1	392	2.18
2	98	4.36
3	44	6.54
4	25	8.72
5	16	10.90



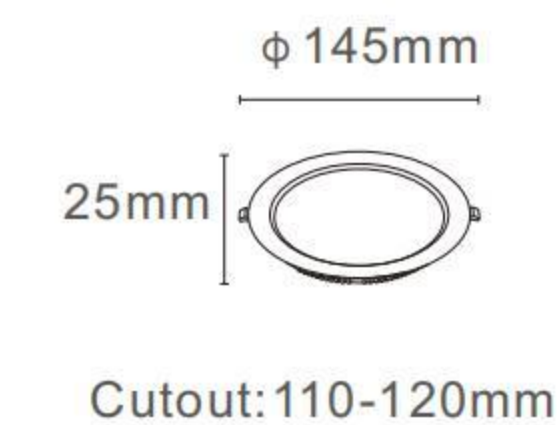
MODEL :
BY-7W



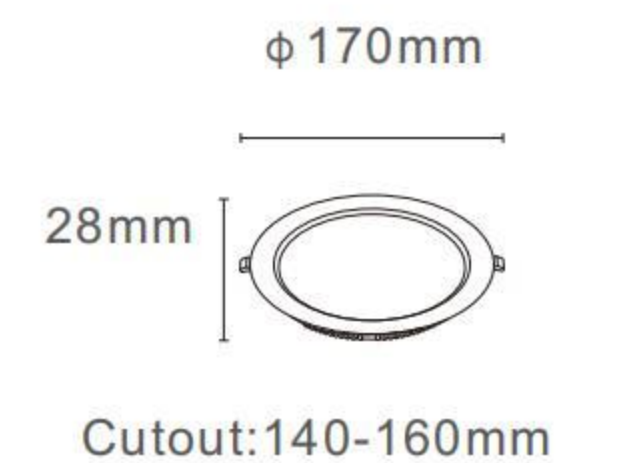
MODEL :
BY-12W



MODEL :
BY-15W



MODEL :
BY-20W



MODEL :
BY-30W

