

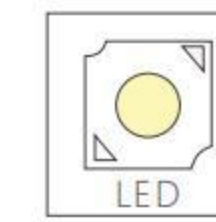
BP

TECHNICAL SPECIFICATIONS

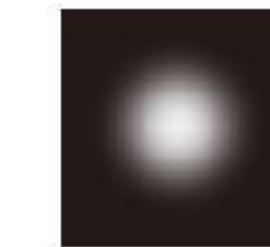
Product Name :	LED Rectangle Panel Light
Model no:	BP
Power :	18W/40W/48W/54W/72W/36W/50W
	100W
Input :	AC85-265V , 50 /60 HZ
Temperature range :	-20-50°C
Light source :	LED SMD2835
Lumen :	90-110 LM/W
Colour Temperture :	3000K - 6500K
Colour Rendering Index :	CRI>80
Beam angle :	110°
Power factor :	Pf>0.5 / Pf>0.9
Power efficiency :	92%
Housing material :	Aluminium Alloy
Diffuser :	PS
Lighning protection :	1.5-4KV
Protection class :	Ip20



BP SERIES

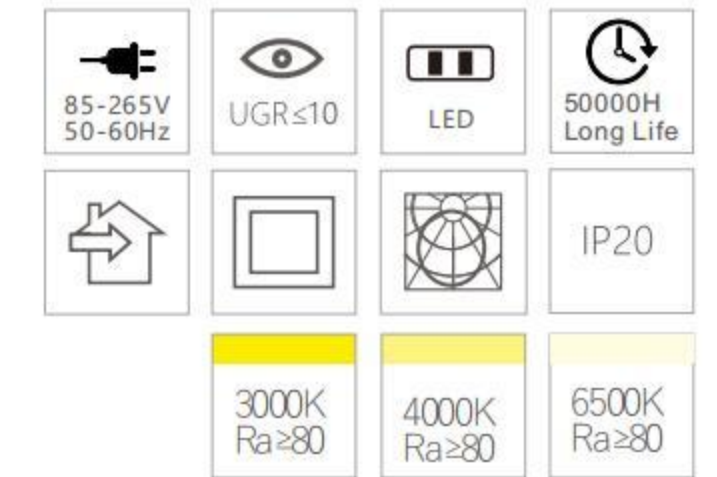
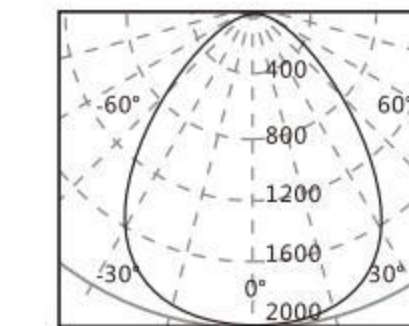


110°

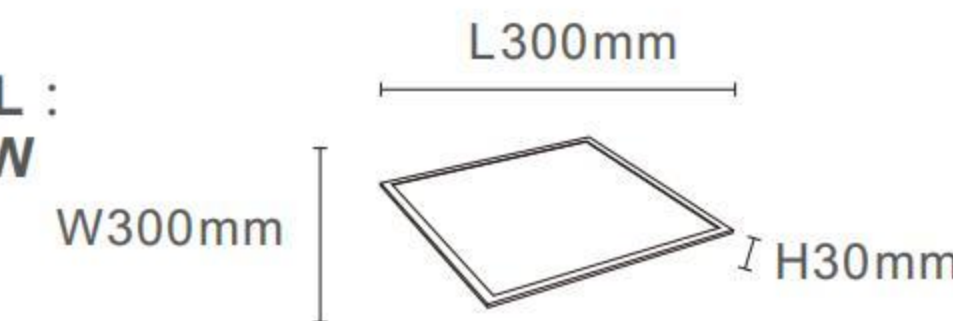


54W

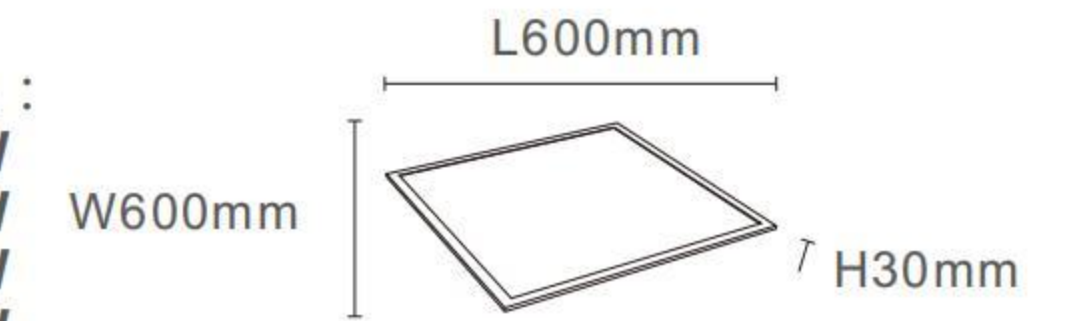
4000K



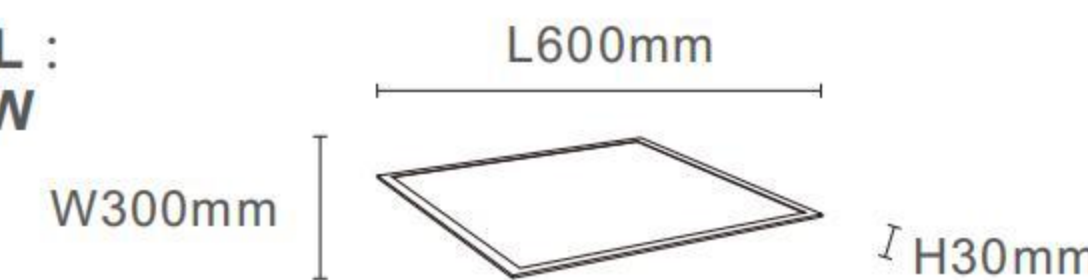
MODEL :
BP-18W



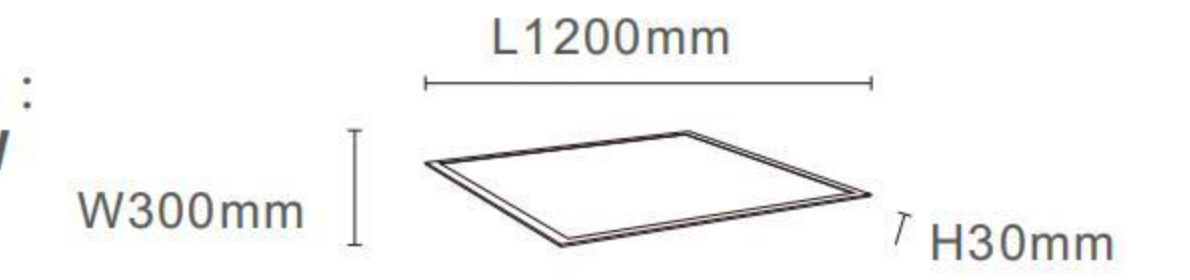
MODEL :
BP-40W
BP-48W
BP-54W
BP-72W



MODEL :
BP-36W



MODEL :
BP-60W



MODEL :
BP-100W

