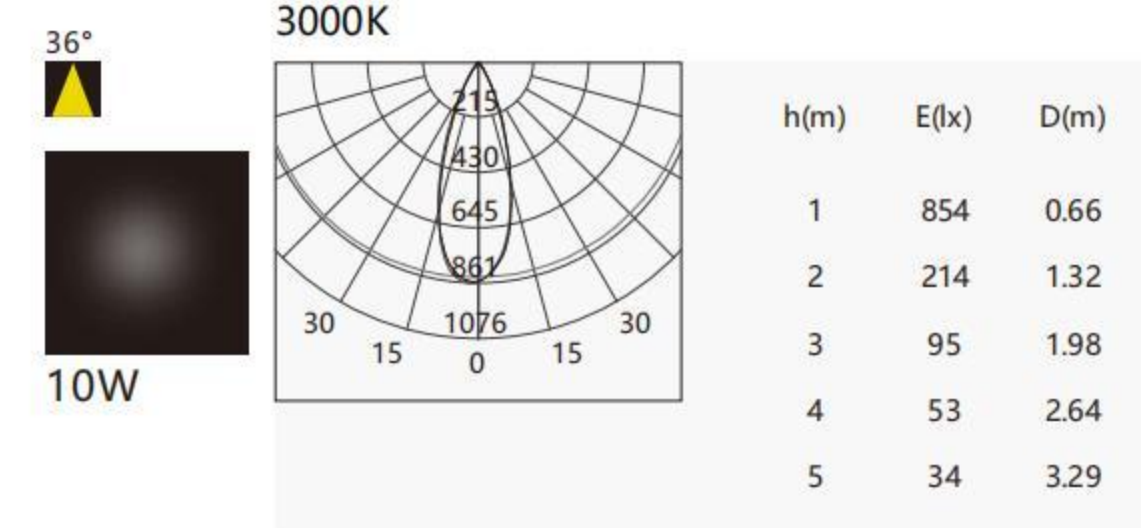
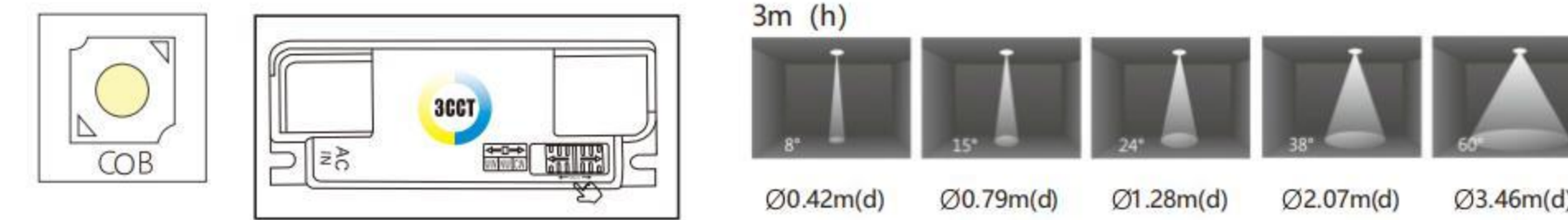
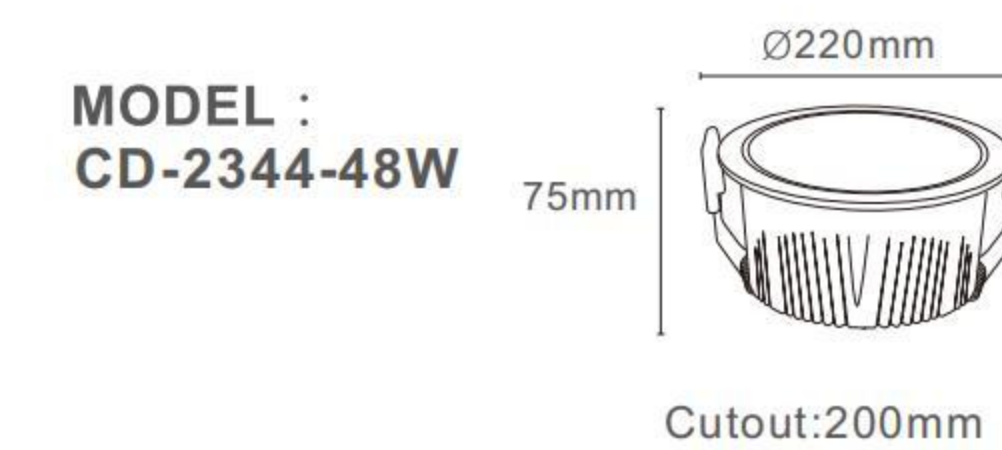
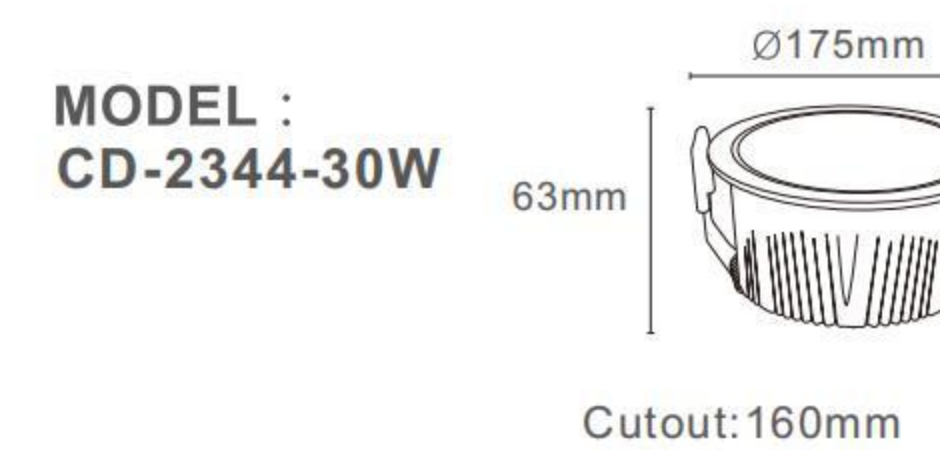
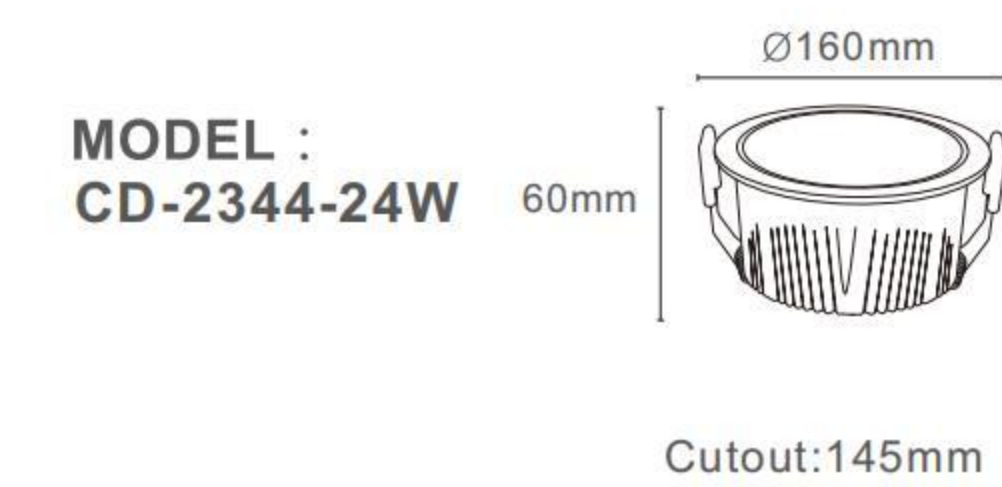
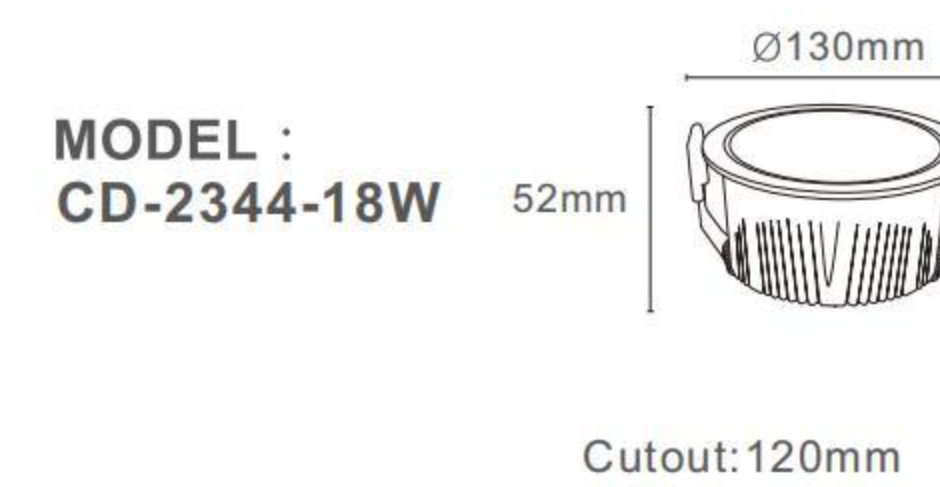
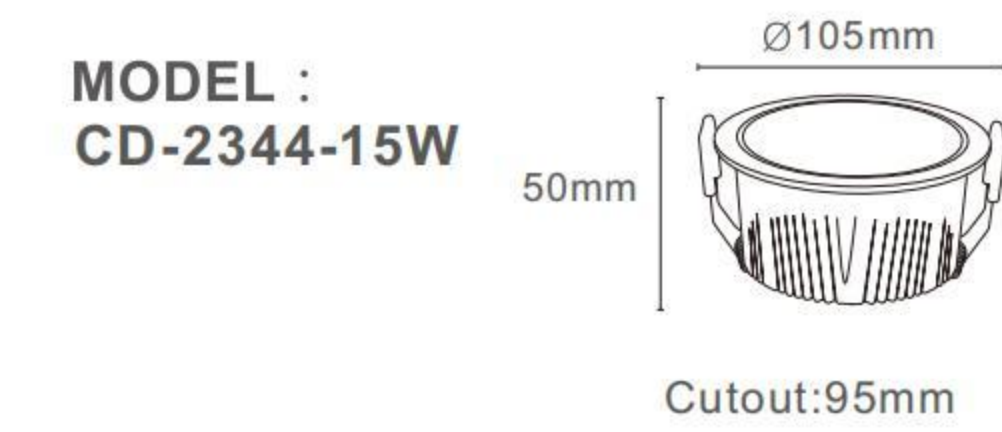




CD-2344 SERIES



| | | | |
|--------------------|----------------|----------------|---------------------|
| 85-265V 50-60Hz | UGR≤6 | LED | 50000H Long Life |
| IP20 | IP20 | IP20 | IP20 |
| 3CCT | 3000K Ra≥80 | 4000K Ra≥80 | 6500K Ra≥80 |
| OSRAM | SAN AN | CREE | BRIDGELUX |
| | WH | BK | |
| SHINE WH | SHINE BK | MATT WH | MATT BK |
| UV BK | UV SL | UV GD | UV RSGD |



CD-2344

TECHNICAL SPECIFICATIONS

| | |
|--------------------------|------------------------------------|
| Product Name : | COB Downlight |
| Model no: | CD-2344 |
| Power : | 5W/10W/12W/15W/18W/24W/30W/ 48W |
| Input : | AC85-265V , 50 /60 HZ |
| Temperature range : | -20-50°C |
| Light source : | COB |
| Lumen : | 80-110 LM/W |
| Colour Temperature : | 3000K - 6500K/CCT |
| Colour Rendering Index : | CRI>80 |
| Beam angle : | 15°/24°/36°/60° |
| Power factor : | Pf>0.5 / Pf>0.9 |
| Power efficiency : | 92% |
| Housing material : | Die-casting Aluminium |
| Optical material: | Reflective cup+Lens |
| Lighning protection : | 1.5-4KV |
| Protection class : | Ip20 |

